

SUZUKI

PARTS CATALOGUE

SUZUKI

A50K (B·DB)

(E2)

持ち出し禁止

PARTS CATALOGUE

MASTER()

品質管理部技術資料課

SUZUKI A50K (B·DB)

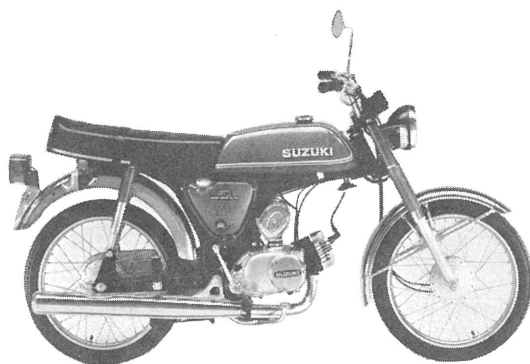


PHOTO : A50KB

P R E F A C E

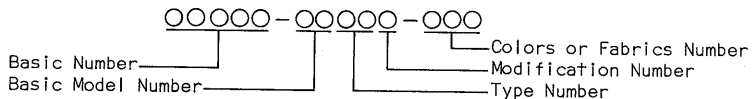
When it becomes necessary to replace parts on SUZUKI MOTORCYCLES, always use SUZUKI GENUINE PARTS which have passed a strict inspection which guarantees quality and performance.

This parts catalogue covers the list of all service parts for SUZUKI A50KB, and A50KDB.

A. INSTRUCTIONS FOR QUOTING THE CATALOGUE

1. COMPOSITION OF THE PART NUMBER

1-1. REGULAR PARTS

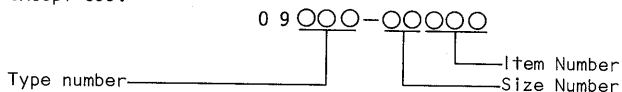


1-2. STANDARD PARTS

Numbers of all standard parts begin with 0 except beginning with 09 or 000.

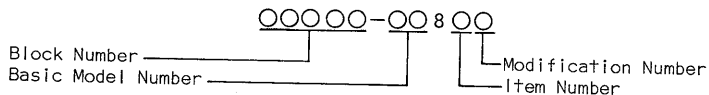
1-3. SPECIAL STANDARD PARTS

Special standard parts are parts which are similar to standard parts but differ in some respect. All special standard parts numbers begin with 09 except 099.



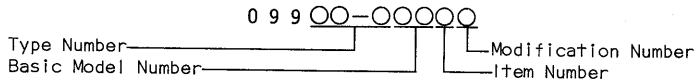
1-4. PARTS ASSEMBLIES

The eight digit of numbers of parts assemblies is always 8.



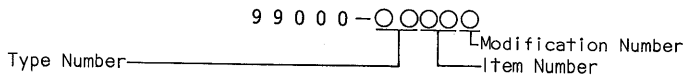
1-5. SPECIAL TOOLS

Part Numbers begin with 099.



1-6. MISCELLANEOUS

Part numbers begin with 99000.



2. DIMENSIONS

Dimensions of the parts in this catalogue are indicated in unit millimeters.

3. ABBREVIATIONS

Abbreviations used in this catalogue are as follows:

AR	: As required	L	: Length
ASSY	: Assembly	NT	: Number of teeth
F.No.	: Frame Number	OPT	: Optional
d	: Diameter of material	OS	: Over size
ID	: Inside diameter	STD	: Standard
OD	: Outside diameter	T	: Thickness
LH	: Left hand side	W	: Width
RH	: Right hand side		

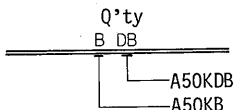
~12345 : Up to F.No.A50K-12345

12345~ : From F.No.A50K-12345

Figures in the remarks column show the dimensions of parts as follows:

$$\frac{12}{\text{ID}} \times \frac{34}{\text{OD}} \times \frac{5.6}{\text{T (or W, L)}}$$

The number of letter shown below Q'ty indicate the MODELS NAME as shown right side.



4. INNER PARTS OF ASSEMBLY

Parts number that have a period (.) mark before the parts name will be indicated the inner part in relation to the assembly.

5. MODIFICATION NOTICE

A parts bulletin will be sent to you on all occasions when changes in parts occur, including interchangeable modifications between new parts and old ones.

6. COLOR CHART

COLOR No.	COLOR NAME	MUNSELL COLOR No.
019	BLACK	N1
00U	CANDY ROSE	
03R	CERULEAN BLUE (TAPE)	
05H	CANDY FLORIDA BLUE	
291	BLACK SEMI - GLOSS	(N1)
719	ORANGE (TAPE)	
764	GOLD (TAPE)	
61P	764+03R (COMBINATION)	
61R	764+7.9 (COMBINATION)	
865	BLACK (FOR SEAT)	

MILLIMETER → INCH CONVERSION CHART

	0	1	2	3	4	5	6	7	8	9
00	.000	.039	.079	.118	.157	.197	.236	.276	.315	.354
10	.394	.433	.472	.512	.551	.591	.630	.669	.709	.748
20	.787	.827	.866	.906	.945	.984	1.024	1.063	1.102	1.142
30	1.181	1.220	1.260	1.299	1.339	1.378	1.417	1.457	1.496	1.535
40	1.575	1.614	1.654	1.693	1.732	1.772	1.811	1.850	1.890	1.929
50	1.969	2.008	2.047	2.087	2.126	2.165	2.205	2.244	2.283	2.323
60	2.362	2.402	2.441	2.480	2.520	2.559	2.598	2.638	2.677	2.717
70	2.756	2.795	2.835	2.874	2.913	2.953	2.992	3.031	3.071	3.110
80	3.150	3.189	3.228	3.268	3.307	3.346	3.386	3.425	3.465	3.504
90	3.543	3.583	3.622	3.661	3.701	3.740	3.780	3.819	3.858	3.898

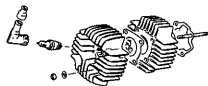
How to read

	0	1	2	3	4
00	---	---	---	---	---
10	---	---	---	---	---
20	---	---	---	0.906	---
30	---	---	---	---	---

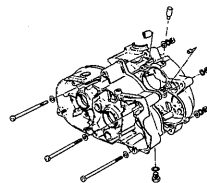
— 23 millimeters equal 0.906 inch

Contents are subject to change without notice or obligation.

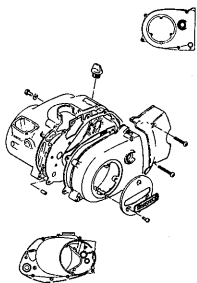
**A50KB
A50KDB**



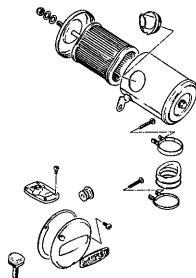
①



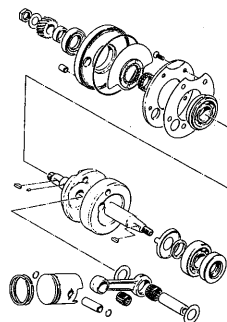
②



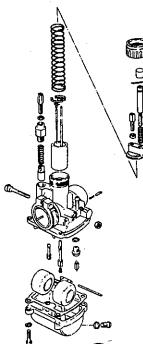
③



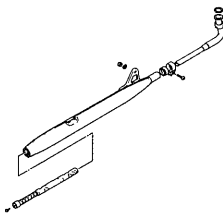
④



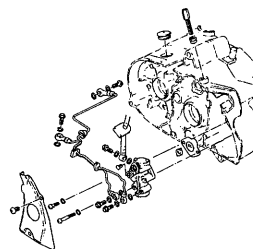
⑤



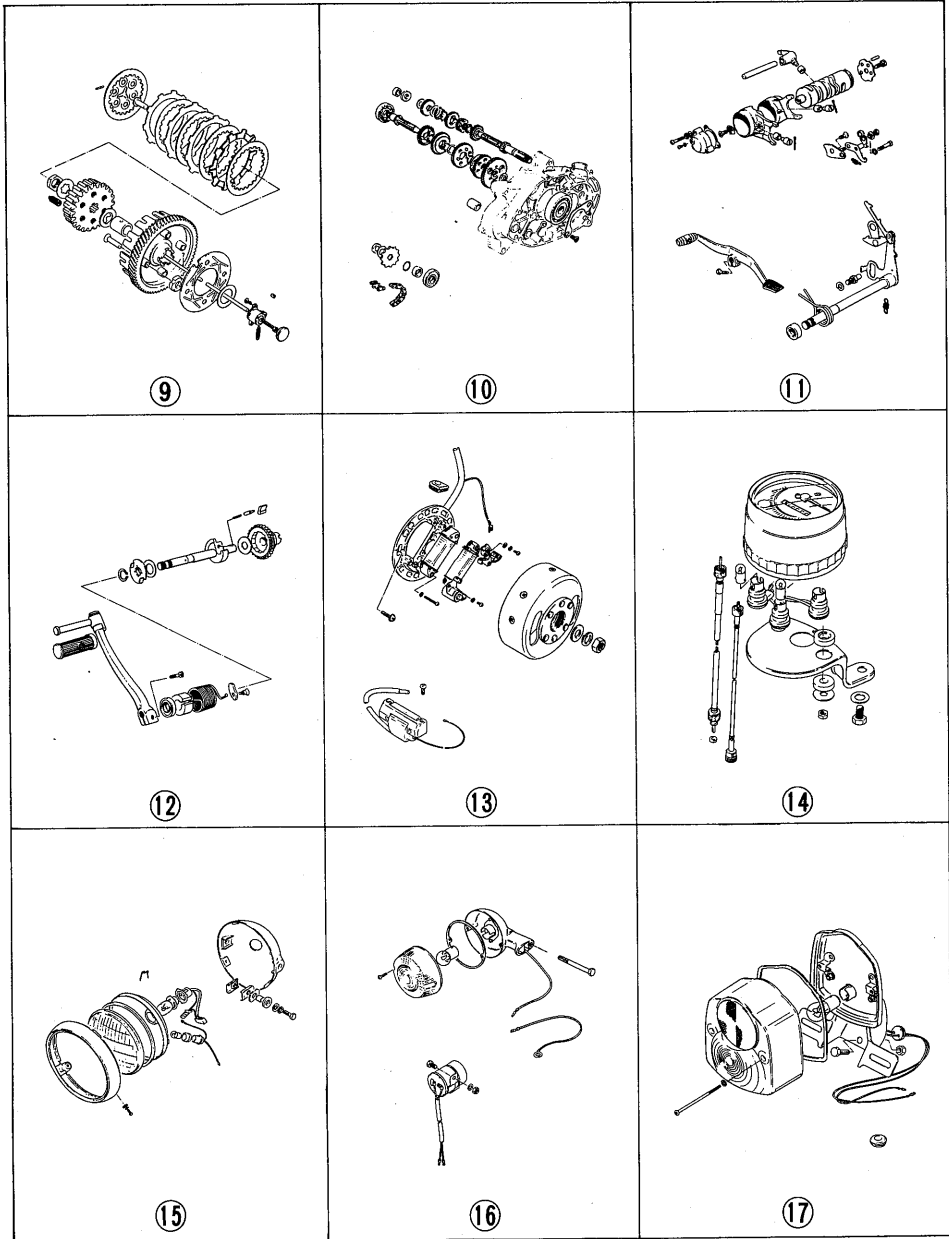
⑥

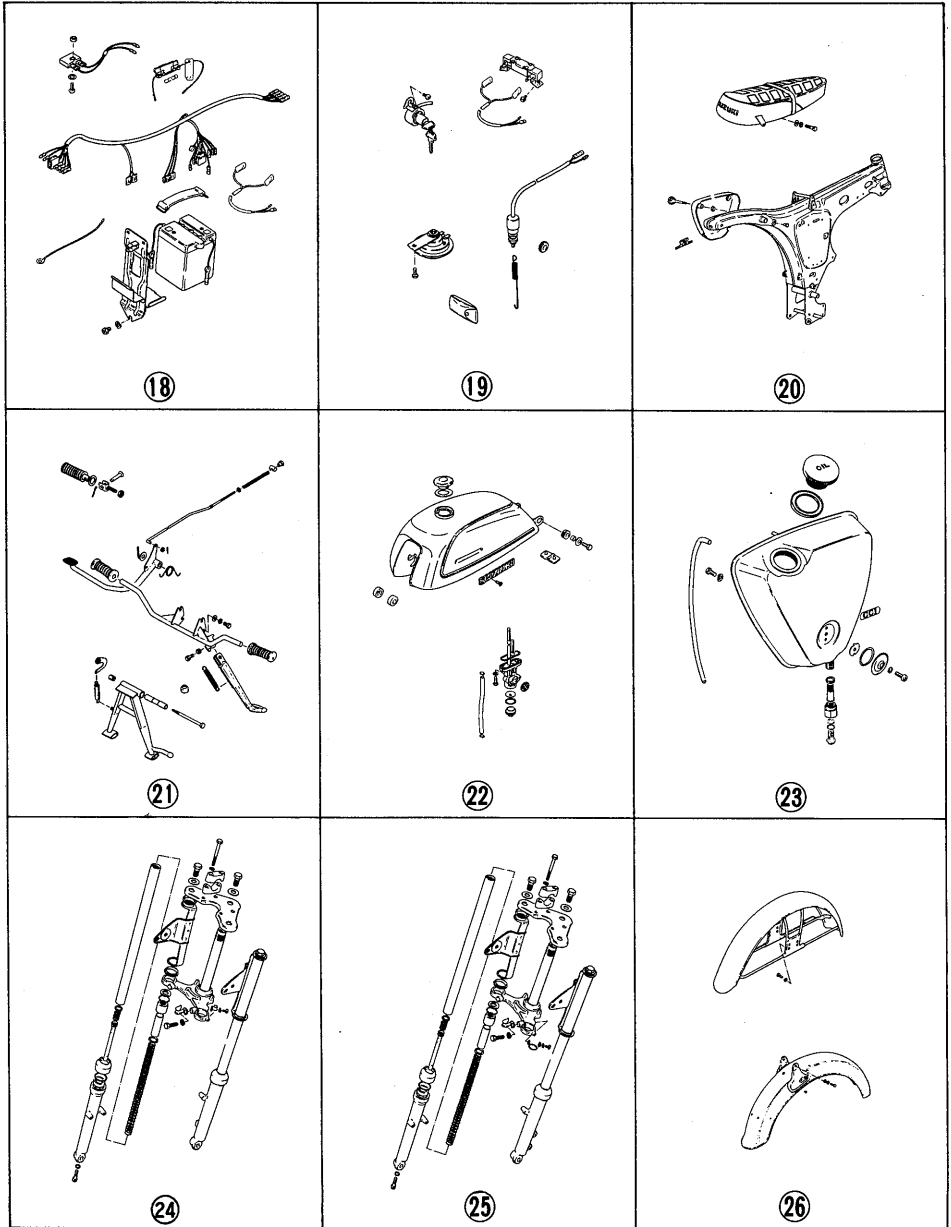


⑦



⑧





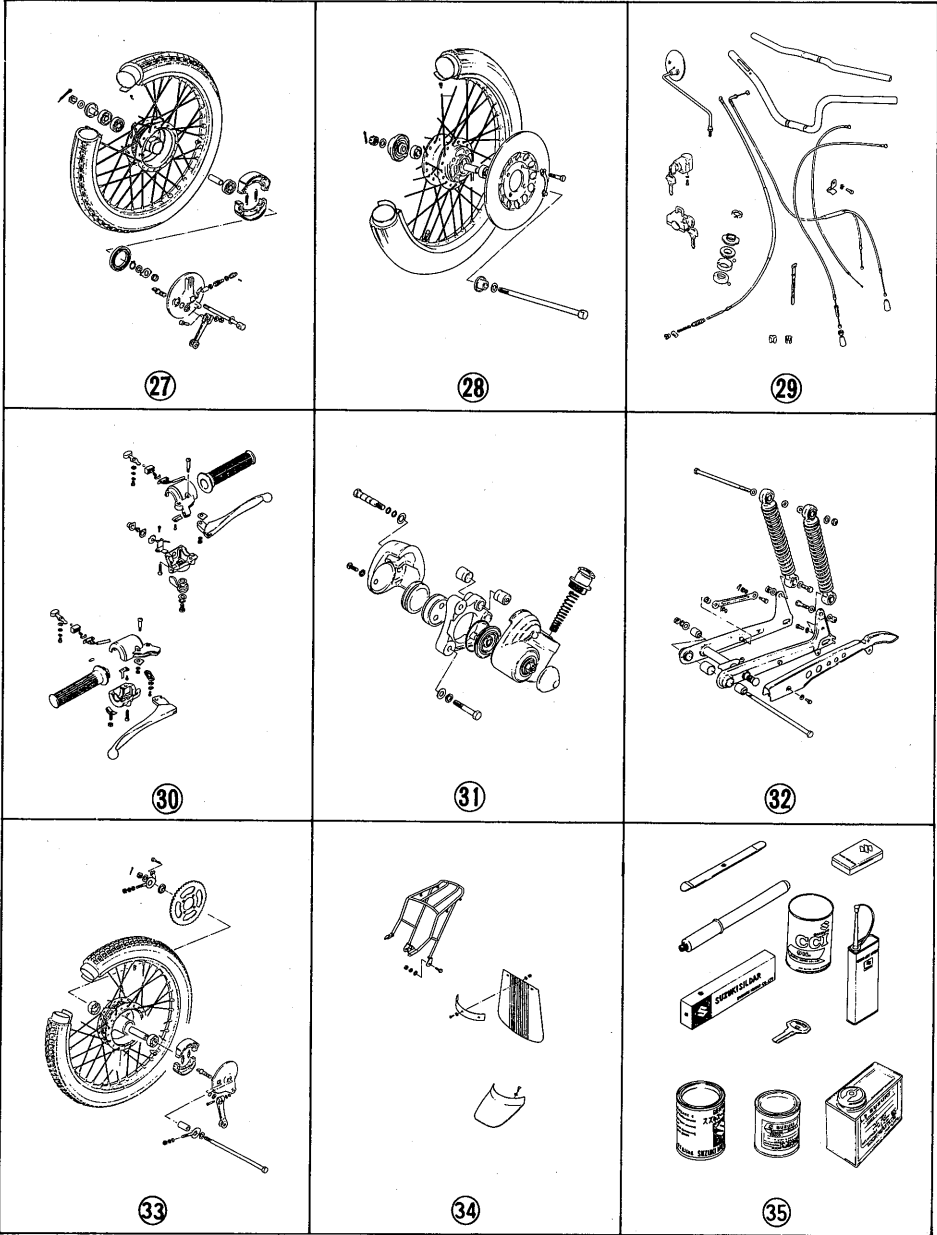


FIG.1 CYLINDER

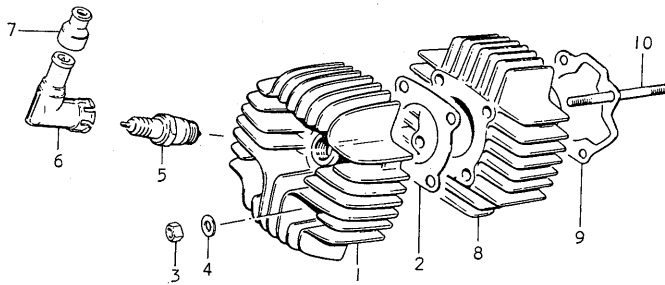


FIG.1 CYLINDER

Ref.No.	Part No.	Description	Qty B DB	Remarks
1	11111-26000	CYLINDER HEAD	1 1	
2	11141-14000	GASKET, cylinder head	1 1	
3	08310-11068	NUT	4 4	
4	08322-21068	WASHER	4 4	
5-1	09482-00057	SPARK PLUG	1 1	NGK, B-8HS
5-2	09482-00058	SPARK PLUG	1 1	ND, W24FS
6	33510-22610	CAP SET, spark plug	1 1	
7	33542-98000	SEAL, high tension cord	1 1	
8	11211-26000	CYLINDER	1 1	
9	11241-19300	GASKET, cylinder	1 1	
10	09108-06026	BOLT, stud	4 4	

FIG.2 CRANKCASE

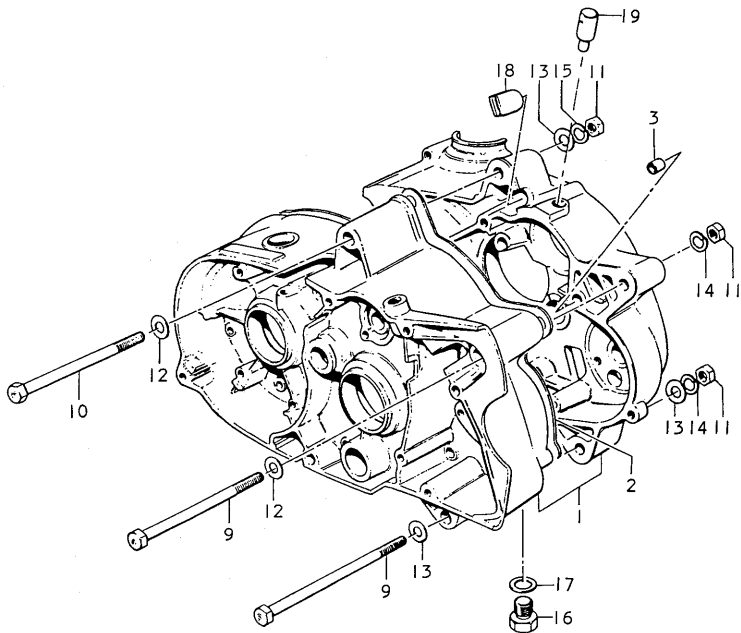
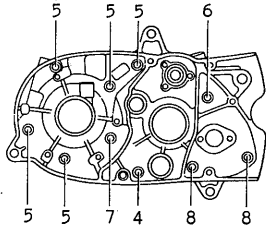


FIG.2 CRANKCASE

Ref.No.	Part No.	Description	Q'ty		Remarks
			B	DB	
1	11300-26832	CRANKCASE SET	1	1	
2	11481-05000	·GASKET, crankcase	1	1	
3	04211-09129	·DOWEL PIN	2	2	
4	02112-06657	·SCREW	1	1	
5	02112-06458	·SCREW	5	5	
6	02112-06408	·SCREW	1	1	
7	02112-06358	·SCREW	1	1	
8	02112-06307	·SCREW	2	2	
9	09103-08024	BOLT, engine mounting	2	2	L:110
10	09103-08023	BOLT, engine mounting	1	1	L:105
11	08310-12088	NUT	3	3	
12	08322-11088	WASHER	2	2	
13	08322-21088	WASHER	2	2	
14	08321-21088	LOCK WASHER	2	2	
15	08321-31088	LOCK WASHER	1	1	
16	09247-10001	PLUG, drain	1	1	
17	09168-10002	GASKET, drain	1	1	
18	09250-12002	GROMMET, air vent pipe	1	1	
19	24821-09000	PLUG, breather	1	1	

FIG. 3 CRANKCASE COVER

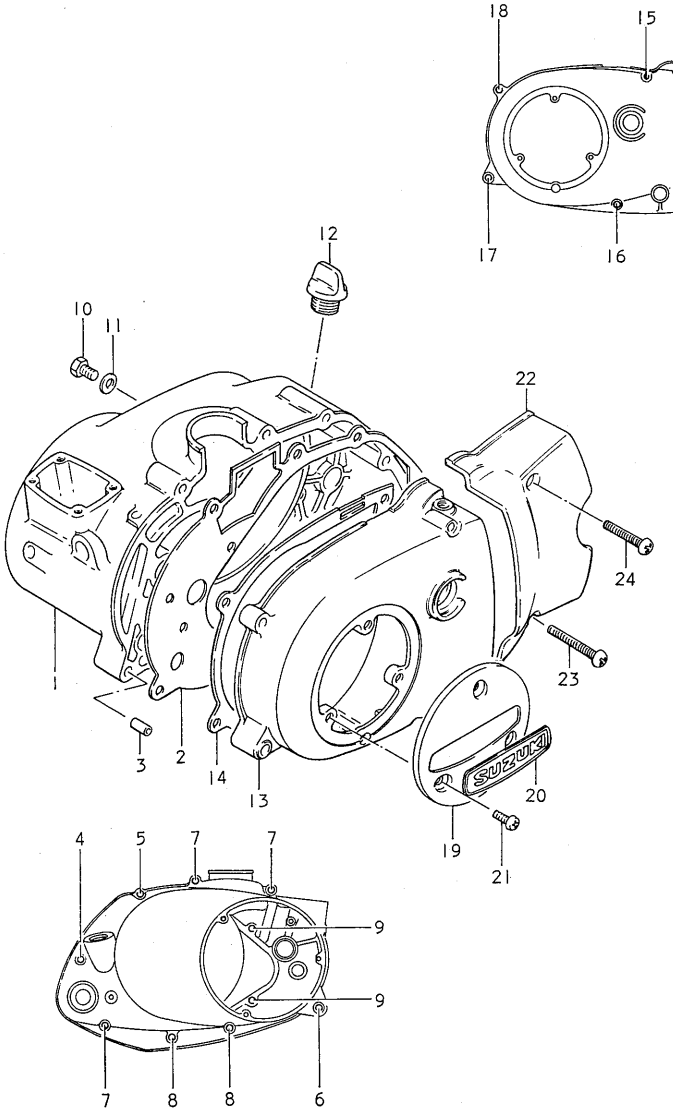


FIG.3 CRANKCASE COVER

Ref.No.	Part No.	Description	Q'ty		Remarks
			B	DB	
1	11300-22851	COVER, crankcase RH	1	1	
2	11482-05000	GASKET, RH cover	1	1	
3	04211-09129	DOWEL PIN	2	2	
4	02112-06708	SCREW	1	1	
5	02112-06508	SCREW	1	1	
6	02112-06458	SCREW	1	1	
7	02112-06408	SCREW	3	3	
8	02112-06358	SCREW	2	2	
9	02112-05408	SCREW	2	2	
10	09128-06004	SCREW, level	1	1	
11	09168-06001	GASKET, oil level	1	1	6.2x11x1
12	09259-20003	PLUG, oil filler	1	1	
13	11351-22201	COVER, crankcase LH	1	1	
14	11483-26000	GASKET, LH cover	1	1	
15	02112-06557	SCREW	1	1	
16	02112-06408	SCREW	1	1	
17	02112-06307	SCREW	1	1	
18	02112-06258	SCREW	1	1	
19	11380-05841	CAP SET, flywheel magneto	1	1	
20	68233-31000	EMBLEM	1	1	
21	02132-05128	SCREW	3	3	
22	11361-22201	COVER, engine sprocket	1	1	
23	02112-06458	SCREW	1	1	
24	02112-06358	SCREW	1	1	

FIG.4 CARBURETOR COVER - AIR CLEANER

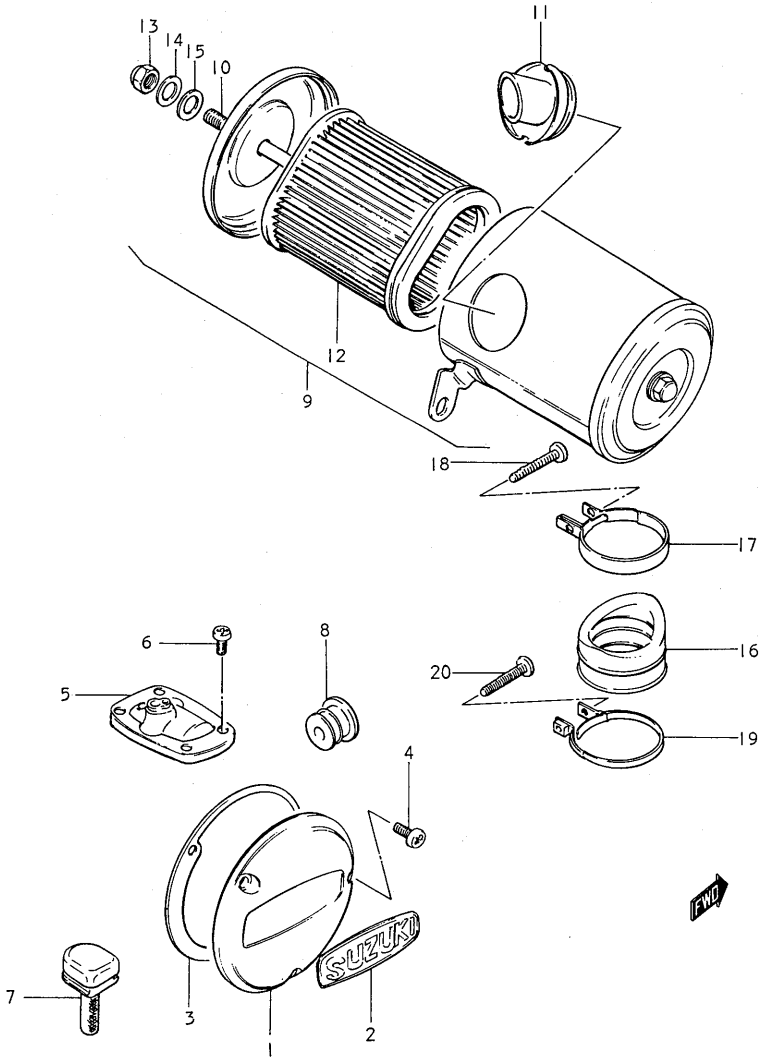


FIG.4 CARBURETOR COVER - AIR CLEANER

Ref.No.	Part No.	Description	Q'ty		Remarks
			B	DB	
1	11380-05842	CAP SET, carburetor inspection	1	1	
2	68233-34000	•EMBLEM	1	1	
3	11492-05002	GASKET, carburetor inspection	1	1	
4	02112-05168	cap SCREW	3	3	
5	11440-22500	COVER, carburetor top	1	1	
6	02112-05168	SCREW	4	4	
7	11910-06000	PIPE, carburetor chamber drain	1	1	
8	09250-14002	CAP, carburetor clamp hole	1	1	
9	13700-22610-019	AIR CLEANER ASSY	1	1	
10	13710-05010	•BOLT ✓	1	1	
11	13721-22610	•PIPE, inlet ✓	1	1	
12	13780-05110	•ELEMENT ✓	1	1	
13	08313-11068	•NUT ✓	2	2	
14	08322-21068	•WASHER ✓	2	2	
15	13742-05110	•GASKET ✓	2	2	
16	13881-05002	TUBE, outlet	1	1	
17	09402-46306	CLAMP	1	1	
18	03111-04208	•SCREW	1	1	
19	09402-48303	CLAMP	1	1	
20	03111-04208	SCREW	1	1	

FIG.5 PISTON - CRANKSHAFT

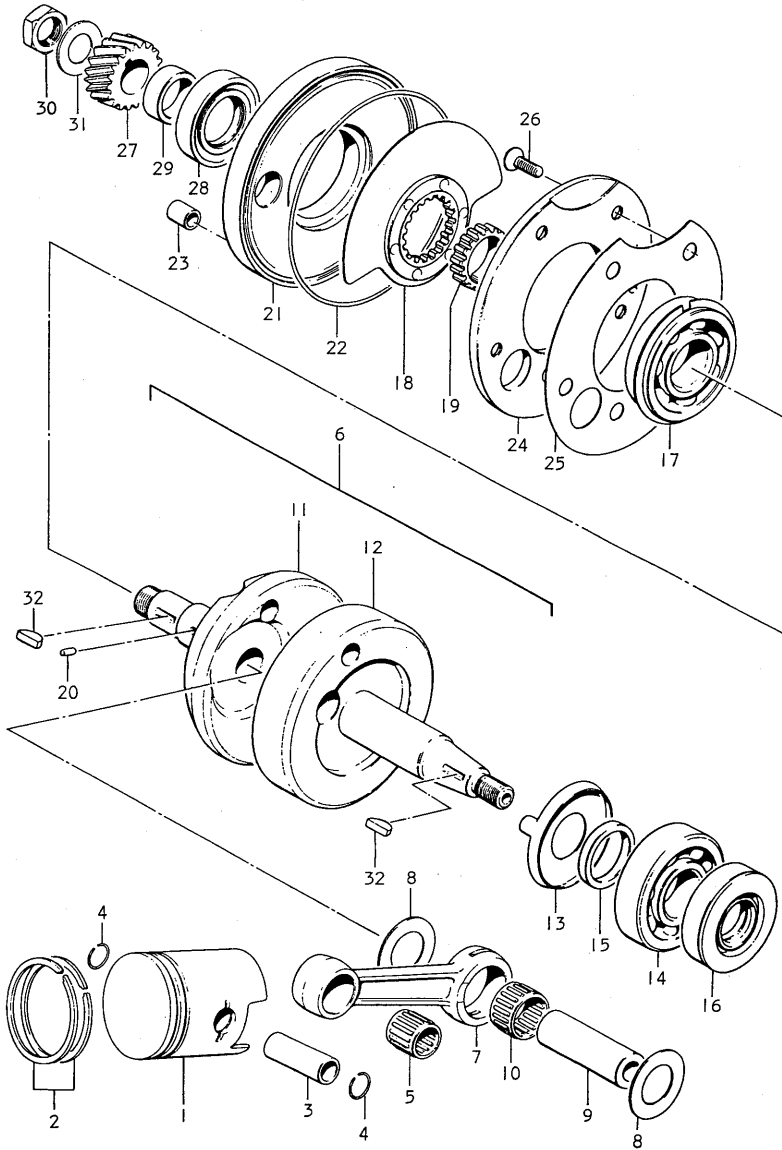


FIG.5 PISTON - CRANKSHAFT

Ref.No.	Part No.	Description	Q'ty		Remarks
			B	DB	
1-1	12110-35000	PISTON	1	1	
1-2	12110-35750	PISTON	1	1	OS:0.5 } OS:1.0 } OPT
1-3	12110-35760	PISTON	1	1	
2-1	12140-05828	RING SET, piston	1	1	
2-2	12140-05751	RING SET, piston	1	1	OS:0.5 } OS:1.0 } OPT
2-3	12140-05761	RING SET, piston	1	1	
3	12151-02000	PIN, piston	1	1	
4	09381-12001	CIRCLIP	2	2	
5	09263-12003	BEARING, piston pin	1	1	
6	12200-06100	CRANKSHAFT SET	1	1	
7	12161-35000	•ROD, connecting	1	1	
8	09160-16011	•THRUST WASHER	2	2	16x32x1
9	12211-06100	•PIN, crank	1	1	
10	09263-16014	•BEARING, crank pin	1	1	
11	12221-06101	•CRANKSHAFT, RH	1	1	
12	12261-06100	•CRANKSHAFT, LH	1	1	
13	12511-06100	PLATE, oil guide	1	1	
14	09269-20006	BEARING, LH crankshaft	1	1	
15	09180-20017	SPACER, LH crankshaft	1	1	20x28x4.5
16	09283-20011	OIL SEAL, LH crankshaft	1	1	
17	09262-20015	BEARING, RH crankshaft	1	1	

FIG.5 PISTON - CRANKSHAFT

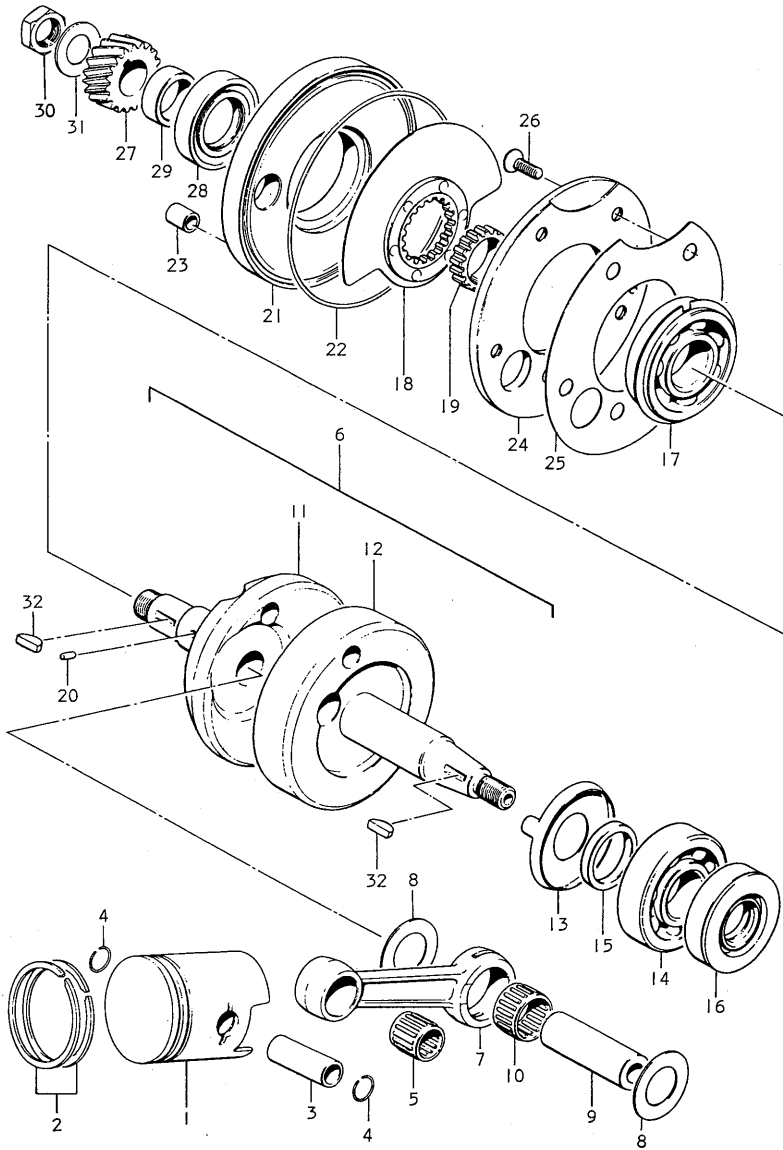


FIG.5 PISTON - CRANKSHAFT

Ref.No.	Part No.	Description	Q'ty		Remarks
			B	DB	
18	12410-22210	PLATE, valve	1	1	
19	12421-05210	GUIDE, valve	1	1	
20	06211-03052	PIN, valve guide	1	1	
21	12450-26000	SEAT, outer valve	1	1	
22	09280-00002	O RING	1	1	
23	04211-09129	PIN	1	1	
24	12461-05002	SEAT, inner valve	1	1	
25	12471-05001	GASKET, inner valve seat	1	1	
26	02122-06168	SCREW	5	5	
27	21111-03001	GEAR, primary drive	1	1	
28	09283-25009	OIL SEAL, RH crankshaft	1	1	
29	09180-20006	SPACER	1	1	20x25x10
30	09140-14002	NUT	1	1	
31	09166-14008	WASHER	1	1	
32	08341-31039	KEY	2	2	

FIG.6 CARBURETOR

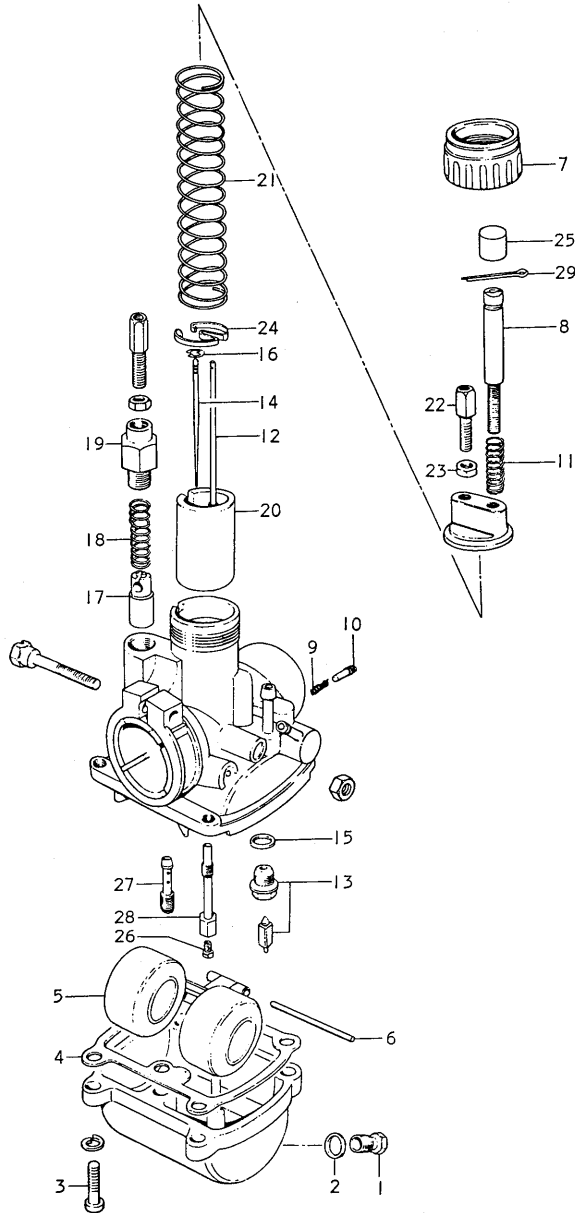


FIG.6 CARBURETOR

Ref.No.	Part No.	Description	Q'ty		Remarks
			B	DB	
	13200-05112	CARBURETOR ASSY	1	1	
1	13247-05010	•PLUG, drain	1	1	
2	13249-05010	•GASKET, drain	1	1	
3	02111-04188	•SCREW	4	4	
4	13251-01011	•GASKET, float chamber	1	1	
5	13252-02010	•FLOAT	1	1	
6	13254-01010	•PIN, float	1	1	
7	13265-05110	•CAP, mixing chamber	1	1	
8	13267-05010	•SCREW, throttle valve stop	1	1	
9	13268-01010	•SPRING, air screw	1	1	
10	13269-01010	•SCREW, air	1	1	
11	13268-05010	•SPRING, throttle valve stop screw	1	1	
12	13296-05010	•ROD, throttle valve stop	1	1	
13	13370-35620	•VALVE ASSY, needle	1	1	
14	13383-01010	•NEEDLE, jet	1	1	3G-2
15	13392-01010	•GASKET, valve seat	1	1	
16	13394-01010	•CLIP, needle	1	1	
17	13411-01010	•PLUNGER, starter	1	1	
18	13417-01010	•SPRING, plunger	1	1	
19	13418-03110	•CAP, plunger	1	1	
20	13551-26010	•VALVE, throttle	1	1	CA:2.0
21	13573-05010	•SPRING, throttle valve	1	1	
22	13577-03010	•ADJUSTER, cable	2	2	
23	13661-03010	•NUT	2	2	
24	13581-01010	•SEAT, spring	1	1	
25	13688-08010	•CAP	1	1	

FIG.6 CARBURETOR

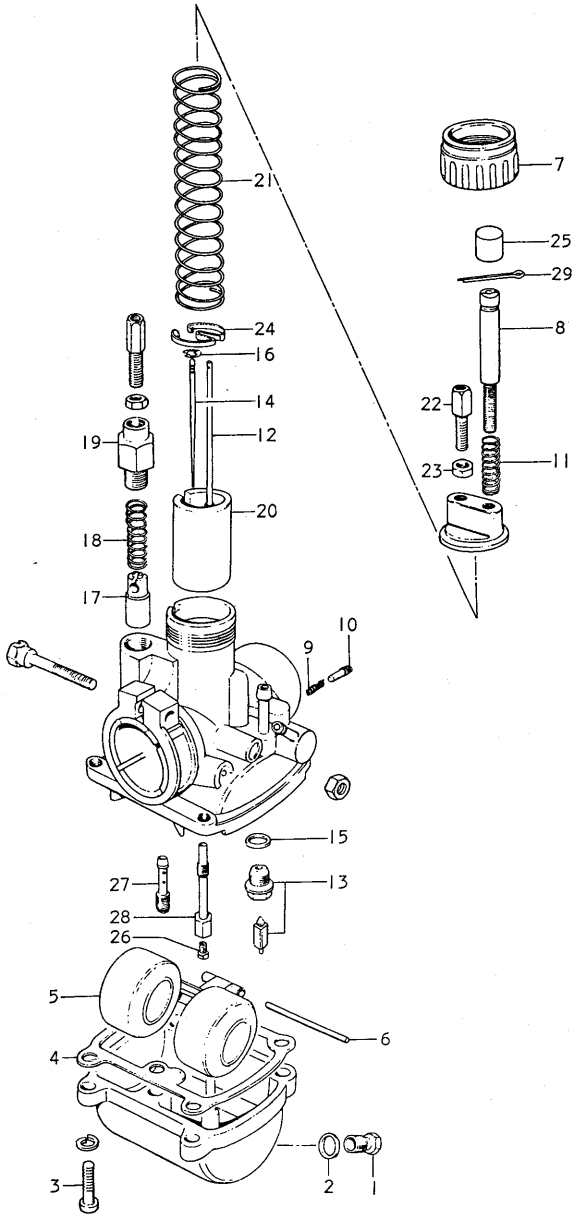


FIG.6 CARBURETOR

Ref.No.	Part No.	Description	Qty		Remarks
			B	DB	
26	09491-72009	·JET, main	1	1	#72.5
27	09492-25003	·JET, pilot	1	1	#25
28	09494-00038	·JET, needle	1	1	E-2
29	04111-12108	·COTTER PIN	1	1	

FIG. 7 MUFFLER

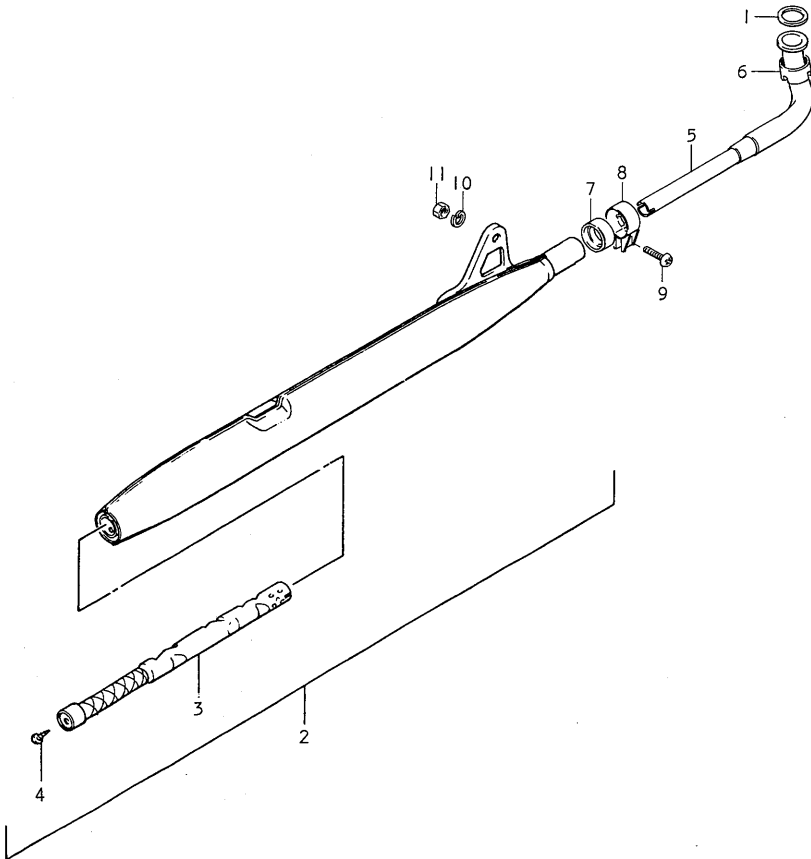


FIG.7 MUFFLER

Ref.No.	Part No.	Description	Q'ty		Remarks
			B	DB	
1	14181-05010	GASKET, exhaust pipe	1	1	
2	14301-22310	MUFFLER ASSY	1	1	
3	14510-05003	·PIPE, buffle	1	1	
4	02112-05068	·SCREW	1	1	
5	14150-22310	PIPE, exhaust	1	1	
6	14182-05010	CLAMP, exhaust pipe	1	1	
7	14771-08210	CONNECTOR, muffler	1	1	
8	09402-36701	CLAMP, muffler connector	1	1	
9	02112-06258	SCREW	1	1	
10	08321-21088	LOCK WASHER	1	1	
11	08310-12088	NUT	1	1	

FIG.8 OIL PUMP

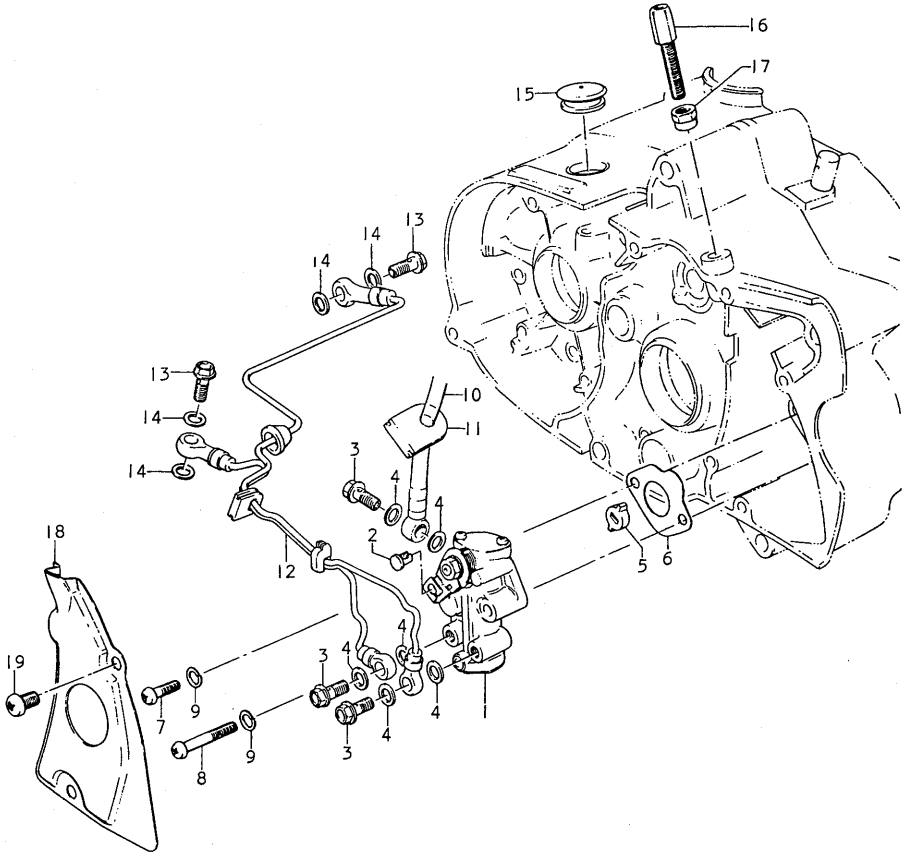


FIG.8 OIL PUMP

Ref.No.	Part No.	Description	Q'ty		Remarks
			B	DB	
1	16100-26010	PUMP SET, oil	1	1	
2	16292-03111	TERMINAL, cable	1	1	
3	09360-06003	BOLT, union	2	2	
4	09168-06002	GASKET, union bolt	4	4	
5	16391-05030	PIECE, oil pump driving	1	1	
6	16731-03100	GASKET, oil pump	1	1	
7	02112-05168	SCREW	1	1	
8	02112-05308	SCREW	1	1	
9	08321-21058	LOCK WASHER	2	2	
10	16810-12631	HOSE, oil inlet	1	1	
11	09309-08002	GROMMET	1	1	
12	16820-26030	HOSE, oil outlet	1	1	
13	09360-06003	BOLT, union	4	4	
14	09168-06002	GASKET, union bolt	8	8	
15	09250-20003	CAP, union bolt hole	1	1	
16	09119-08014	ADJUSTER, cable	1	1	
17	08310-12088	NUT	1	1	
18	11385-26000	COVER, oil pump	1	1	
19	02112-06108	SCREW	1	1	

FIG.9 CLUTCH

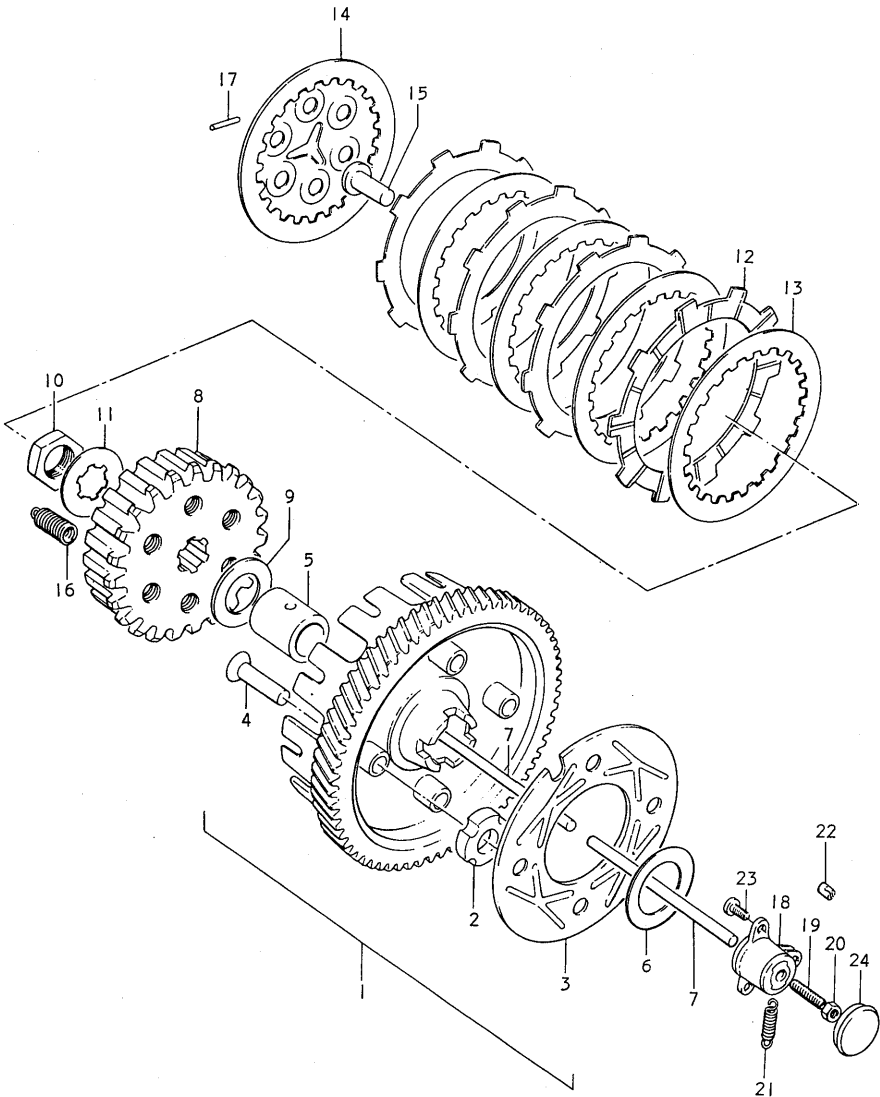


FIG.9 CLUTCH

Ref.No.	Part No.	Description	Q'ty B DB	Remarks
1	21200-05102	GEAR ASSY, primary driven	1 1	
2	21231-25040	-DAMPER	4 4	
3	21241-25301	-PLATE	1 1	
4	05022-05189	-RIVET	4 4	
5	09180-17025	SPACER, clutch housing	1 1	17x21x33.5
6	08211-17301	THRUST WASHER	1 1	
7	23111-03001	ROD, clutch push	2 2	5.5x90
8	21411-22200	HUB, sleeve	1 1	
9	08211-17282	THRUST WASHER	1 1	
10	09140-16001	NUT	1 1	
11	09167-17002	LOCK WASHER	1 1	
12	21441-12000	PLATE, drive	4 4	
13	21451-23000	PLATE, driven	4 4	
14	21460-23000	PLATE, pressure	1 1	
15	23121-03010	PIECE, clutch push	1 1	
16	09443-12003	SPRING	6 6	
17	09261-02001	PIN	6 6	2.5x19.8
18	23200-05030	SCREW ASSY, clutch release	1 1	
19	09134-06001	SCREW, adjuster	1 1	
20	08310-22068	NUT	1 1	
21	09443-08001	SPRING, clutch release return	1 1	
22	23222-07000	PIECE, release arm end	1 1	
23	02122-05128	SCREW	2 2	
24	09250-25001	CAP, release adjusting	1 1	

FIG.10 TRANSMISSION

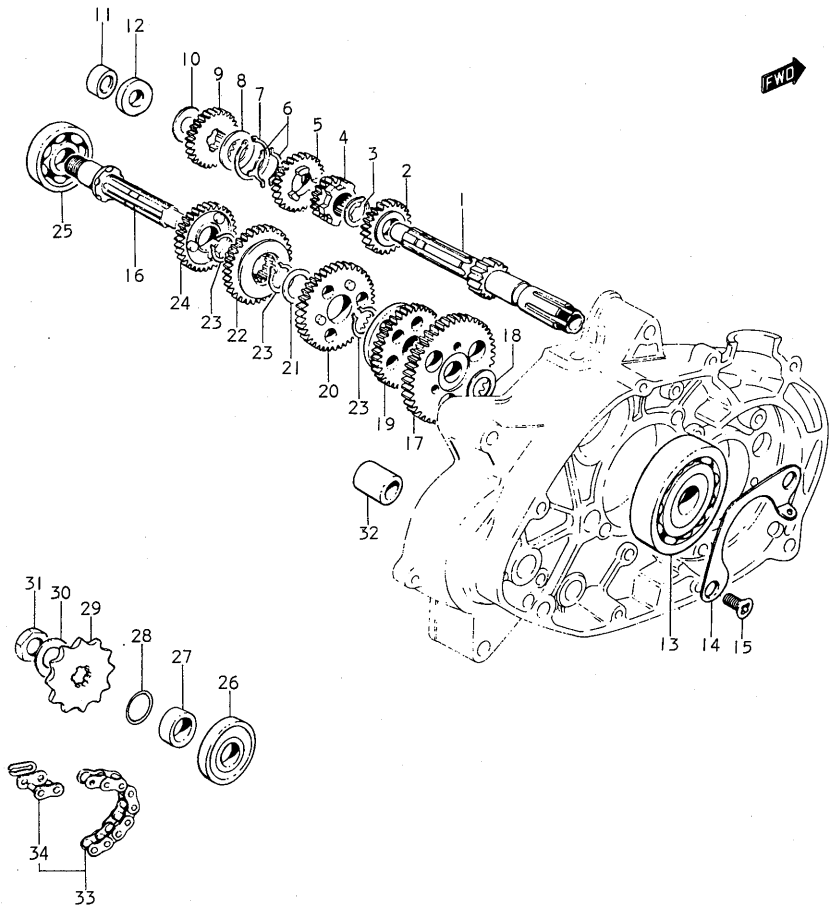


FIG.10 TRANSMISSION

Ref.No.	Part No.	Description	Q'ty		Remarks
			B	DB	
1	24121-05100	SHAFT, counter	1	1	NT:12
2	24231-05101	GEAR, 3rd drive	1	1	NT:19
3	09380-17001	CIRCLIP	1	1	
4	24221-05101	GEAR, 2nd drive	1	1	NT:15
5	24241-05100	GEAR, 4th drive	1	1	NT:25
6	09399-14001	RING, knock	2	2	
7	09380-26001	CIRCLIP	1	1	
8	08211-17282	THRUST WASHER	1	1	17x29x1.5
9	24251-05100	GEAR, 5th drive	1	1	NT:28
10	08211-12261	THRUST WASHER	1	1	
11	09300-12008	BUSH, mission shaft	1	1	12x19x12
12	09285-05004	OIL SEAL, push rod	1	1	4.2x16x8
13	09262-17012	BEARING, connter shaft RH	1	1	17x62x10
14	24741-35000	RETAINER, counter shaft bearing	1	1	
15	02112-06108	SCREW	2	2	
16	24131-05100	SHAFT, drive	1	1	
17	24310-05102	GEAR, 1st driven	1	1	NT:44
18	09160-12015	THRUST WASHER	1	1	12x24x1.5
19	24331-05102	GEAR, 3rd driven	1	1	NT:30
20	24321-05103	GEAR, 2nd driven	1	1	NT:32
21	09167-17003	THRUST WASHER	1	1	
22	24341-05100	GEAR, 4th driven	1	1	NT:32
23	09380-17001	CIRCLIP	3	3	
24	24351-05100	GEAR, 5th driven	1	1	NT:30
25	08113-63030	BEARING	1	1	

FIG.10 TRANSMISSION

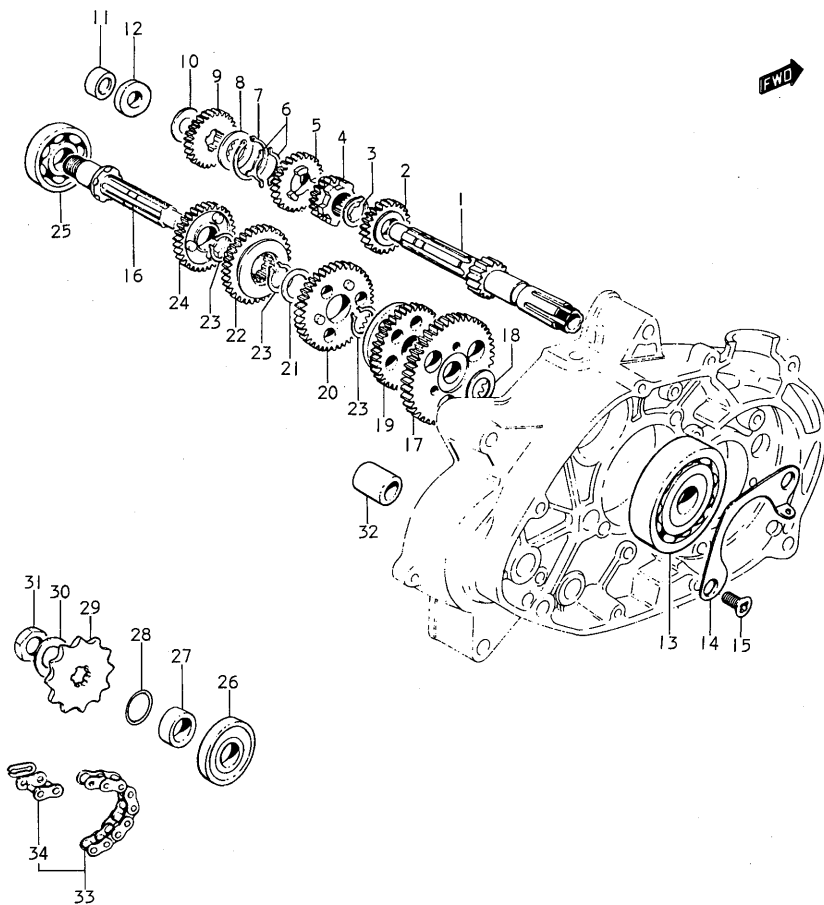


FIG.10 TRANSMISSION

Ref.No.	Part No.	Description	Q'ty B DB	Remarks
26	09283-21001	OIL SEAL	1 1	21x40x7
27	09180-17008	SPACER	1 1	
28	09280-17001	O RING	1 1	
29	27511-19000	SPROCKET, engine	1 1	NT:13
30	09167-16001	LOCK WASHER	1 1	
31	09140-16002	NUT	1 1	
32	09300-12008	BUSH	1 1	
33	27600-05011	CHAIN ASSY, drive	1 1	#420x106ℓ
34	27620-01011	JOINT ASSY, drive chain	1 1	

FIG.11 GEAR SHIFTING

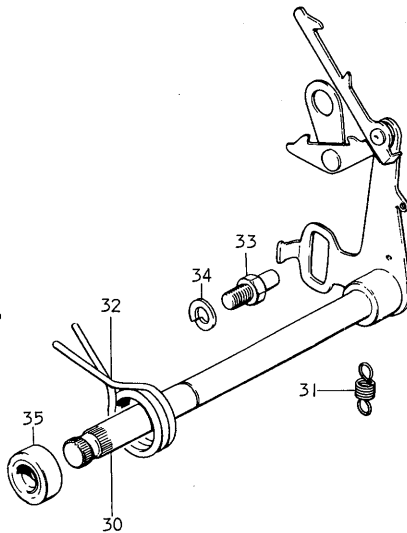
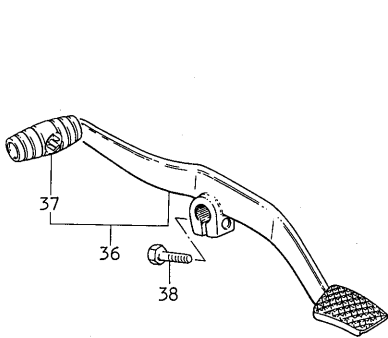
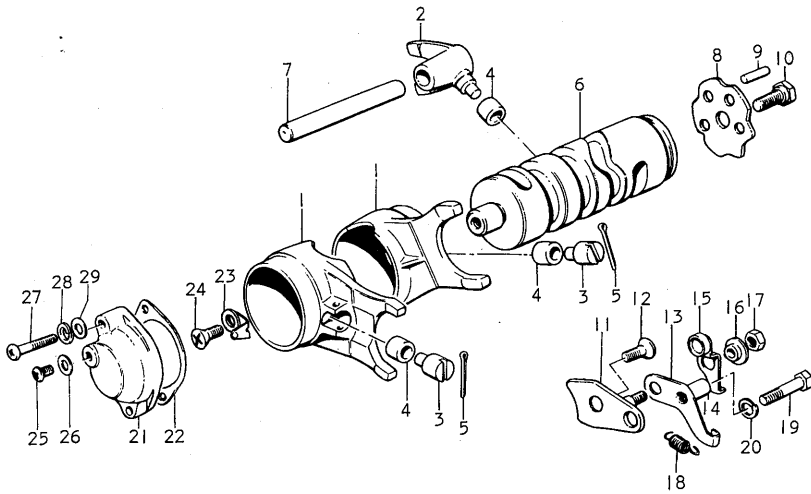


FIG.11 GEAR SHIFTING

Ref.No.	Part No.	Description	Q'ty		Remarks
			B	DB	
1	25211-05100	FORK, gear shifting (1)	2	2	
2	25221-05100	FORK, gear shifting (2)	1	1	
3	09209-10002	GUIDE, fork	2	2	
4	09180-06004	ROLLER, guide	3	3	6x9.8x6
5	04111-25208	COTTER PIN	2	2	
6	25311-05100	CAM	1	1	
7	25411-05100	SHAFT, gear shift fork	1	1	
8	25381-05100	PLATE, stopper	1	1	
9	09261-04002	PIN, shifting cam	4	4	
10	09111-06004	BOLT, retainer	1	1	
11	25340-05101	GUIDE, shifting cam	1	1	
12	02122-06168	SCREW	1	1	
13	25354-05101	HOLDER, spring	1	1	
14	09180-06021	SPACER	1	1	
15	25350-05100	STOPPER, shifting cam	1	1	
16	09180-06022	SPACER, spring	1	1	6x14x4
17	08310-11068	NUT	1	1	
18	09443-08005	SPRING	1	1	
19	01107-06308	BOLT	1	1	
20	08321-21068	LOCK WASHER	1	1	

FIG.11 GEAR SHIFTING

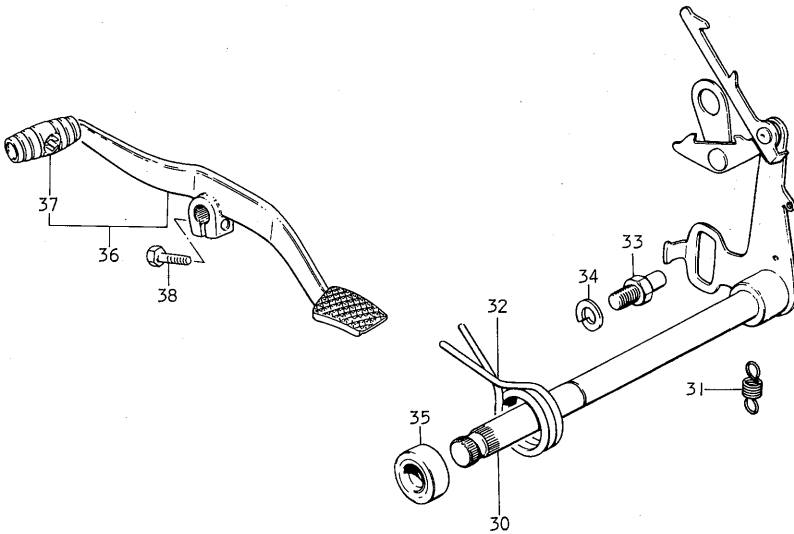
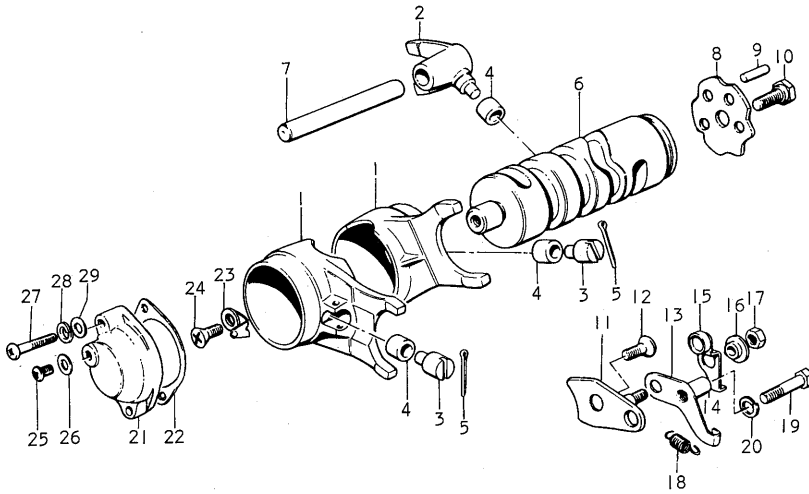


FIG.11 GEAR SHIFTING

Ref.No.	Part No.	Description	Q'ty		Remarks
			B	DB	
21	37721-26000	BODY, gear shifting switch	1	1	
22	37712-26000	GASKET	1	1	
23	37711-05101	CONTACT, neutral switch	1	1	
24	02122-06128	SCREW	1	1	
25	02112-03048	SCREW	1	1	
26	08322-21038	WASHER	1	1	
27	02112-04208	SCREW	2	2	
28	08321-21048	LOCK WASHER	2	2	
29	08322-21048	WASHER	2	2	
30	25510-22200	SHAFT, gear shifting	1	1	
31	09443-07013	SPRING, gear shifting pawl return	1	1	
32	09444-26008	SPRING, gear shifting shaft return	1	1	
33	25671-19000	STOPPER, gear shifting arm	1	1	
34	08321-21108	LOCK WASHER	1	1	
35	09285-12002	OIL SEAL	1	1	12x22x9
36	25600-05201	LEVER ASSY, gear shifting	1	1	
37	25652-16500	·RUBBER	1	1	
38	01107-06208	BOLT	1	1	

FIG.12 KICK STARTER

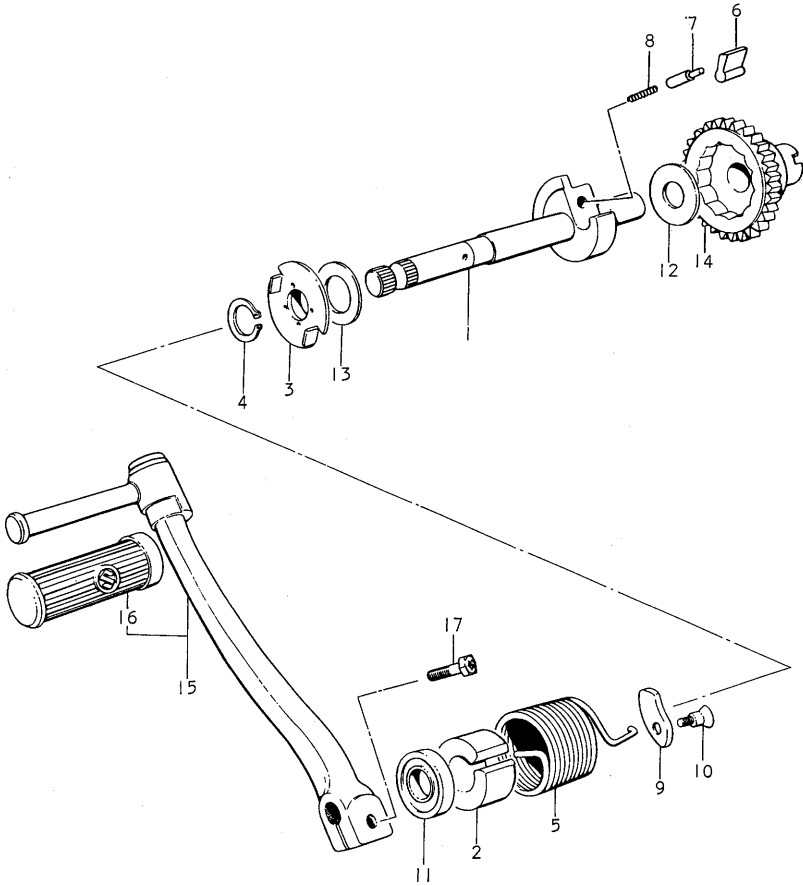


FIG.12 KICK STARTER

Ref.No.	Part No.	Description	Q'ty		Remarks
			B	DB	
1	26211-35001	SHAFT, kick starter	1	1	
2	26221-01030	GUIDE, return spring	1	1	
3	26222-01001	HOLDER, return spring	1	1	
4	08331-11149	CIRCLIP	1	1	
5	09448-38002	SPRING	1	1	
6	26231-01000	PAWL, kick starter	1	1	
7	09209-05012	PIN, pawl	1	1	
8	09440-04010	SPRING, pawl	1	1	
9	26232-01000	STOPPER	1	1	
10	09139-06002	SCREW	1	1	
11	09285-14001	OIL SEAL	1	1	14x24x6
12	08211-12302	THRUST WASHER, LH	1	1	
13	09160-14005	THRUST WASHER, RH	1	1	14x29x1.5
14	26241-05101	GEAR, drive	1	1	
15	26300-13990	LEVER ASSY, kick starter	1	1	
16	26352-01000	•RUBBER	1	1	
17	01107-06208	BOLT	1	1	

FIG.13 FLYWHEEL MAGNETO

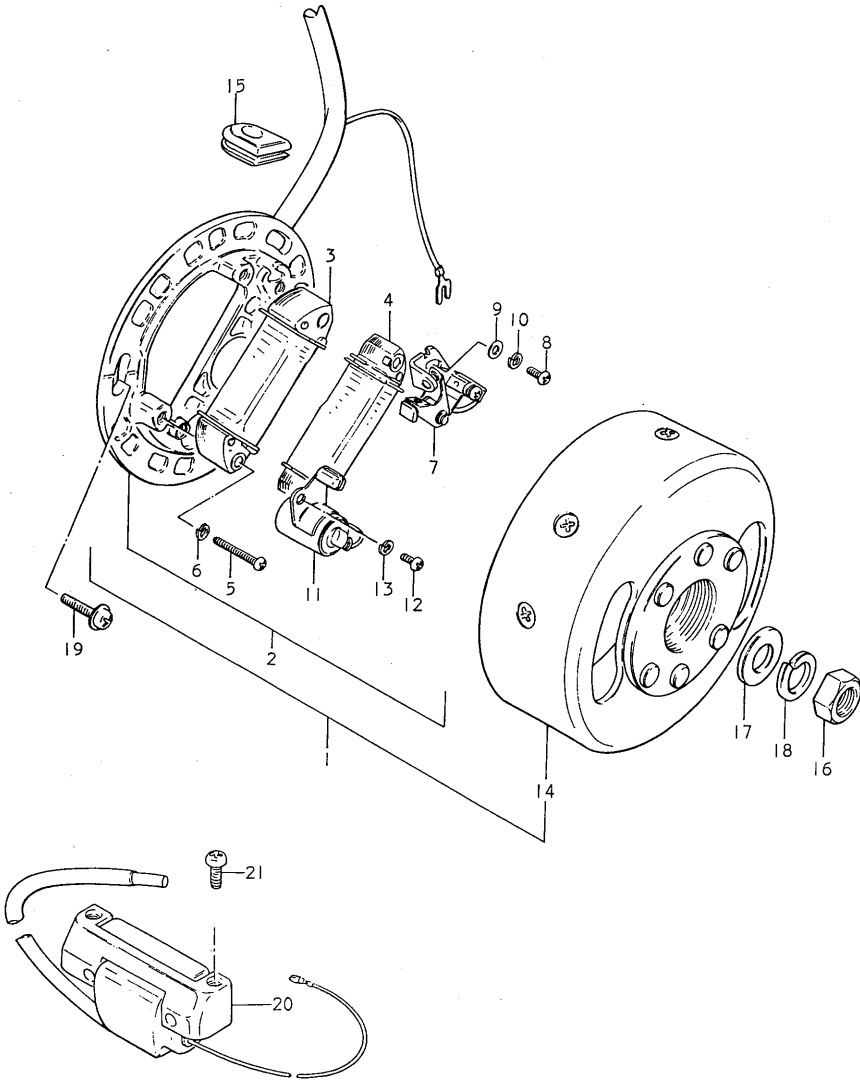


FIG.13 FLYWHEEL MAGNETO

Ref.No.	Part No.	Description	Q'ty		Remarks
			B	DB	
1	32100-43012	MAGNETO ASSY	1	1	
2	32101-43012	·STATOR ASSY	1	1	
3	32120-43012	..COIL, lighting	1	1	
4	32140-43012	..COIL, primary	1	1	
5	02112-04258	..SCREW	4	4	
6	08321-21048	..LOCK WASHER	4	4	
7	32240-43012	..CONTACT, point	1	1	
8	02112-04108	..SCREW	1	1	
9	08322-21048	..WASHER	1	1	
10	08321-21048	.. LOCK WASHER	1	1	
11	32341-43012	..CONDENSER	1	1	
12	02112-04108	..SCREW	2	2	
13	08321-21048	.. LOCK WASHER	2	2	
14	32102-43012	·ROTOR	1	1	
15	09309-09003	GROMMET	1	1	
16	09140-10003	NUT	1	1	
17	08322-21108	WASHER	1	1	
18	08321-21108	LOCK WASHER	1	1	
19	09139-05011	SCREW	3	3	
20	33410-19011	COIL ASSY, ignition	1	1	
21	02112-15128	SCREW	2	2	

FIG. 14 SPEEDOMETER

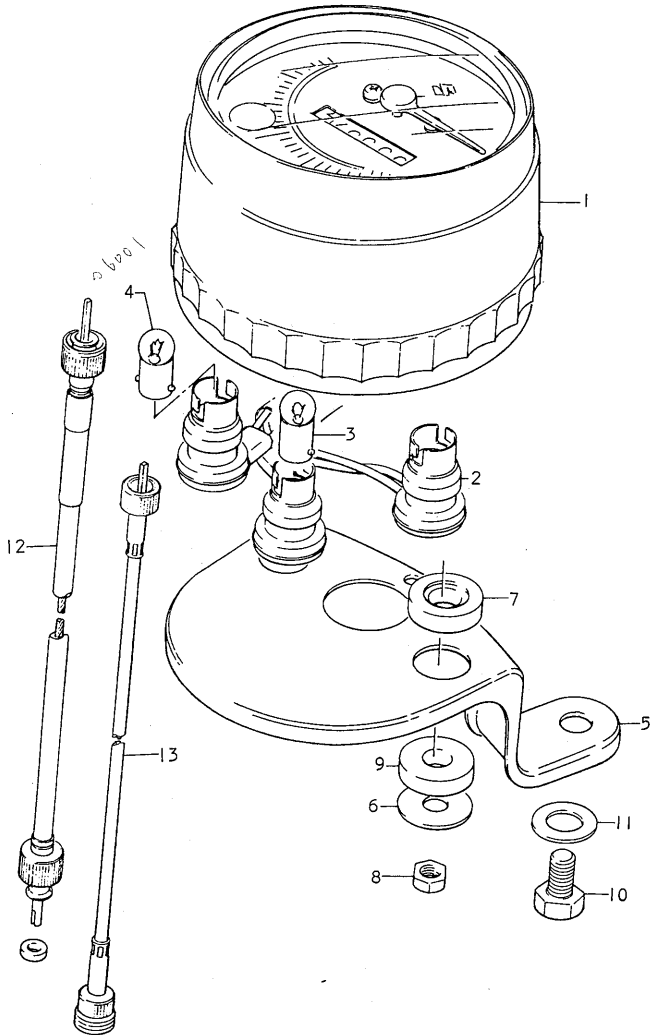


FIG.14 SPEEDOMETER

Ref.No.	Part No.	Description	Q'ty		Remarks
			B	DB	
1	34100-22620	SPEEDOMETER ASSY	1	1	Mile & Kilo
2	34170-26600	·SOCKET	1	1	
3	09471-06002	BULB	2	2	
4	09471-06001	BULB	2	2	
5	34950-26001	BRACKET, speedometer	1	1	
6	09160-05006	WASHER	2	2	
7	34955-20000	CUSHION, No.1	2	2	
8	08310-11058	NUT	2	2	
9	09320-08004	CUSHION, No.2	2	2	
10	01104-08128	BOLT	2	2	
11	08322-11088	WASHER	2	2	
12	34910-24912	CABLE ASSY, speedometer	1	-	
13	34910-22210	CABLE ASSY, speedometer	-	1	

FIG. 15 HEADLAMP

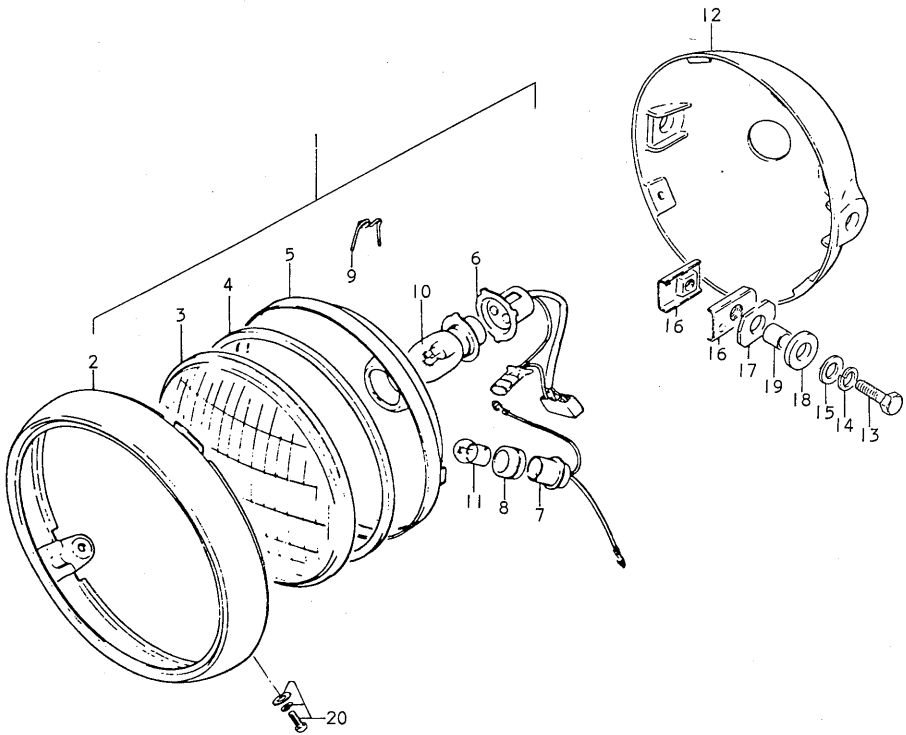


FIG.15 HEADLAMP

Ref.No.	Part No.	Description	Q'ty		Remarks
			B	DB	
1	35100-22630	HEADLAMP ASSY	1	1	
2	35111-27221	·RIM	1	1	
3	35124-25324	·LENS	1	1	
4	35125-27222	·GASKET	1	1	
5	35123-22630	·REFLECTOR	1	1	
6	35171-22630	·SOCKET	1	1	
7	36118-25620	·SOCKET	1	1	
8	36116-22630	·SEAL RUBBER	1	1	
9	35128-27221	·SPRING	3	3	
10	09471-06028	·BULB	1	1	7V, 18/18W
11	09471-06002	·BULB	1	1	6V, 3W
12	51810-27200-291	HOUSING, headlamp	1	1	
13	01204-08307	BOLT	2	2	
14	08321-21088	LOCK WASHER	2	2	
15	08322-11088	WASHER	2	2	
16	51817-06301	PLATE, housing RH	2	2	
17	09329-12002	CUSHION (1)	2	2	
18	09320-12014	CUSHION (2)	2	2	
19	09180-08001	SPACER	2	2	
20	02112-74128	SCREW	2	2	

FIG.16 TURN SIGNAL LAMP

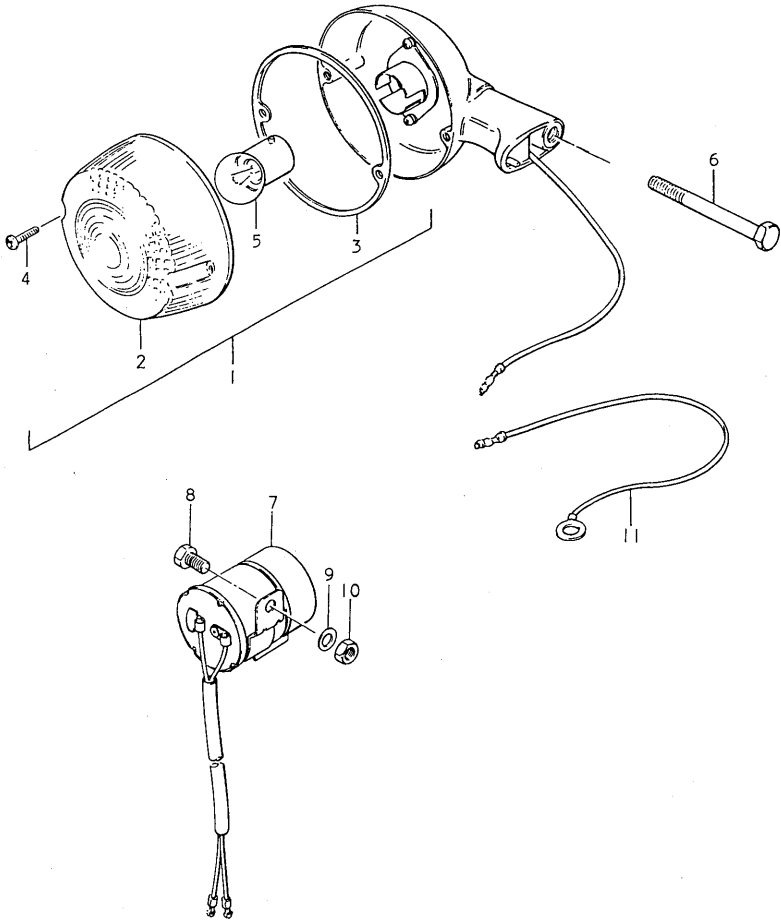


FIG.16 TURN SIGNAL LAMP

Ref.No.	Part No.	Description	Q'ty		Remarks
			B	DB	
1	35603-46210	LAMP ASSY, turn signal	4	4	
2	35612-46210	·LENS	4	4	
3	35613-06111	·GASKET	4	4	
4	03211-03168	·SCREW	8	8	
5	09471-06021	·BULB	4	4	6V, 8W
6-1	01127-06608	BOLT, front	2	2	
6-2	09100-06038	BOLT, rear	2	2	
7	38610-12110	RELAY, turn signal	1	1	
8	01107-06128	BOLT	1	1	
9	08322-21068	WASHER	1	1	
10	08310-11068	NUT	1	1	
11	36851-46200	LEAD WIRE, front turn signal	1	1	

FIG.17 REAR COMBINATION LAMP

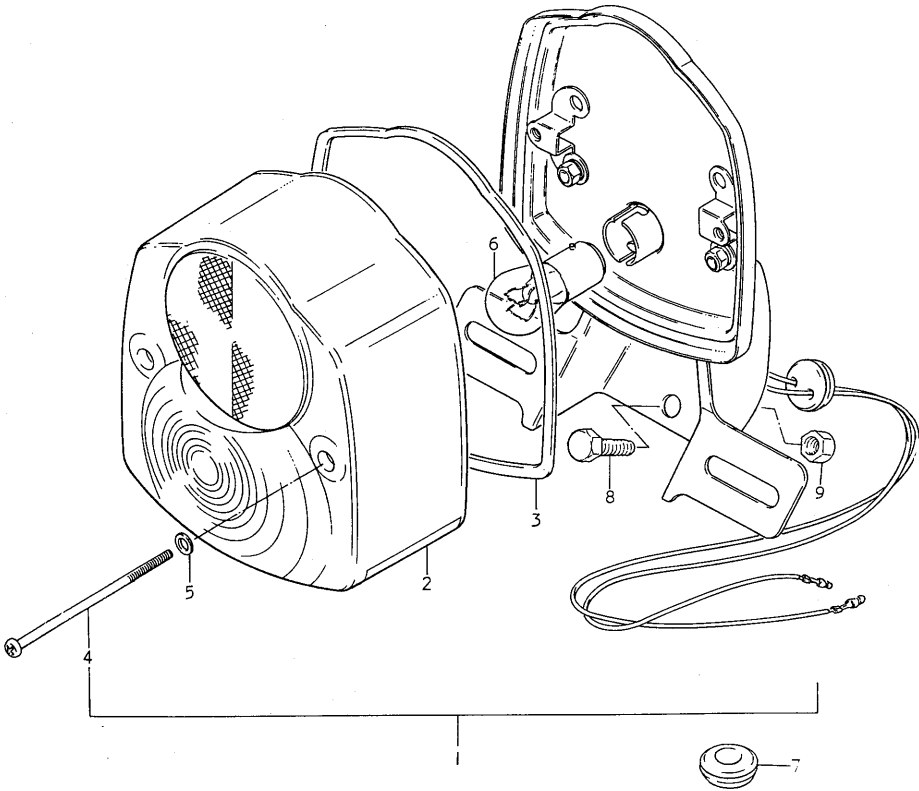


FIG.17 REAR COMBINATION LAMP

Ref.No.	Part No.	Description	Q'ty		Remarks
			B	DB	
1	35710-22650-999	LAMP ASSY, rear combination	1	1	
2	35712-46620	.LENS	1	1	
3	35713-46620	.GASKET	1	1	
4	35623-35110	.SCREW	2	2	
5	35627-43010	.GASKET	2	2	
6	09471-06034	BULB (Executed locally) 6V, 21/5W	1	1	HELLA/PHILIPS No.K15826
7	09308-05005	GROMMET	1	1	
8	01107-06108	BOLT	2	2	
9	08310-11068	NUT	2	2	

FIG.18 ELECTRICAL (1)

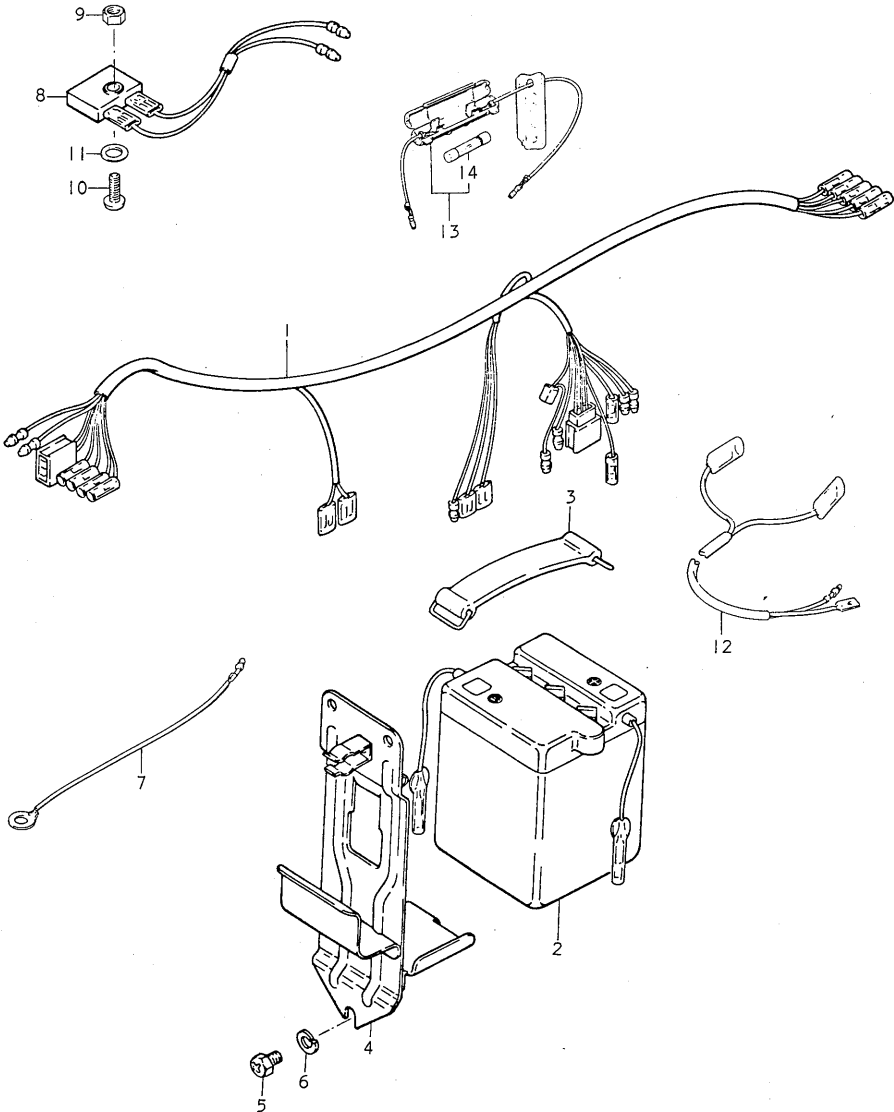


FIG.18 ELECTRICAL (1)

Ref.No.	Part No.	Description	Q'ty		Remarks
			B	DB	
1	36610-22601	WIRING HARNESS	1	1	
2	33610-03010	BATTERY ASSY	1	1	6V, 4AH
3	09462-00007	BAND, battery	1	1	
4	41540-05100	HOLDER, battery	1	1	
5	09128-06004	SCREW	3	3	
6	08321-21068	LOCK WASHER	3	3	
7	36862-27690	LEAD WIRE, battery (-)	1	1	
8	32800-19063	RECTIFIER, silicon	1	1	
9	08310-11058	NUT	1	1	
10	02112-05208	SCREW	1	1	
11	08322-21058	WASHER	1	1	
12	36852-22620	LEAD WIRE, rectifier	1	1	
13	36740-15010	FUSE CASE ASSY	1	1	
14	09481-15001	FUSE	1	1	15A

FIG.19 ELECTRICAL (2)

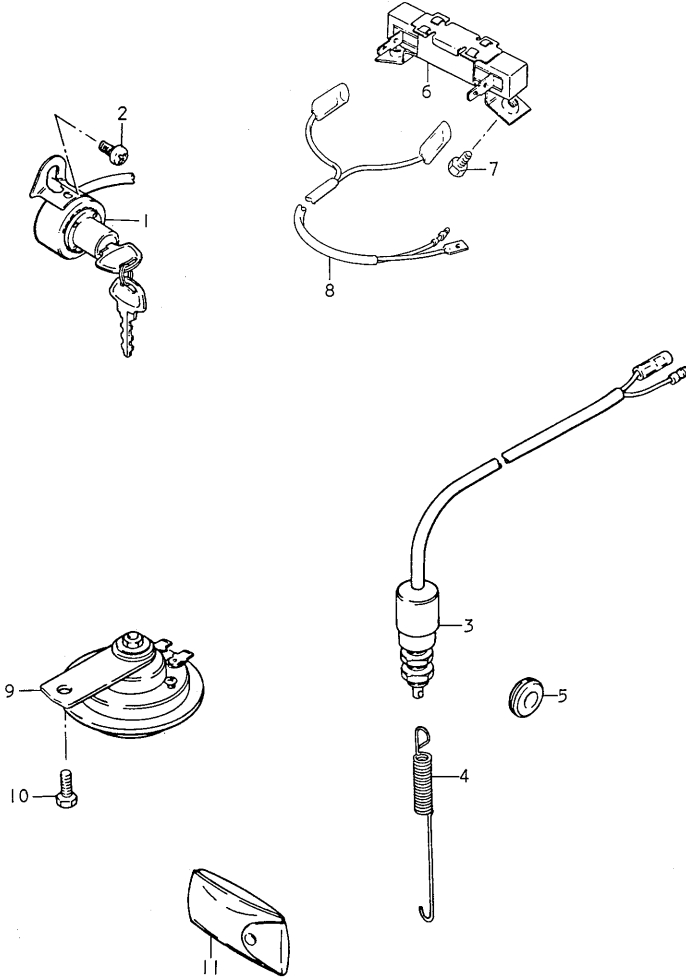


FIG.19 ELECTRICAL (2)

Ref.No.	Part No.	Description	Q'ty		Remarks
			B	DB	
1	37110-22620	SWITCH ASSY, ignition	1	1	
2	02112-06088	SCREW	2	2	
3	37740-19051	SWITCH ASSY, brake lamp	1	1	
4	09443-06019	SPRING	1	1	
5	09308-12001	GROMMET	1	1	
6	36510-22600	RESISTOR	1	1	
7	01124-05088	BOLT	2	2	
8	36852-22610	LEAD WIRE, resistor	1	1	
9	38500-23031	HORN	1	1	
10	01104-08128	BOLT	1	1	
11	09800-00108	TOOL SET	1	1	

FIG.20 FRAME - FRAME COVER

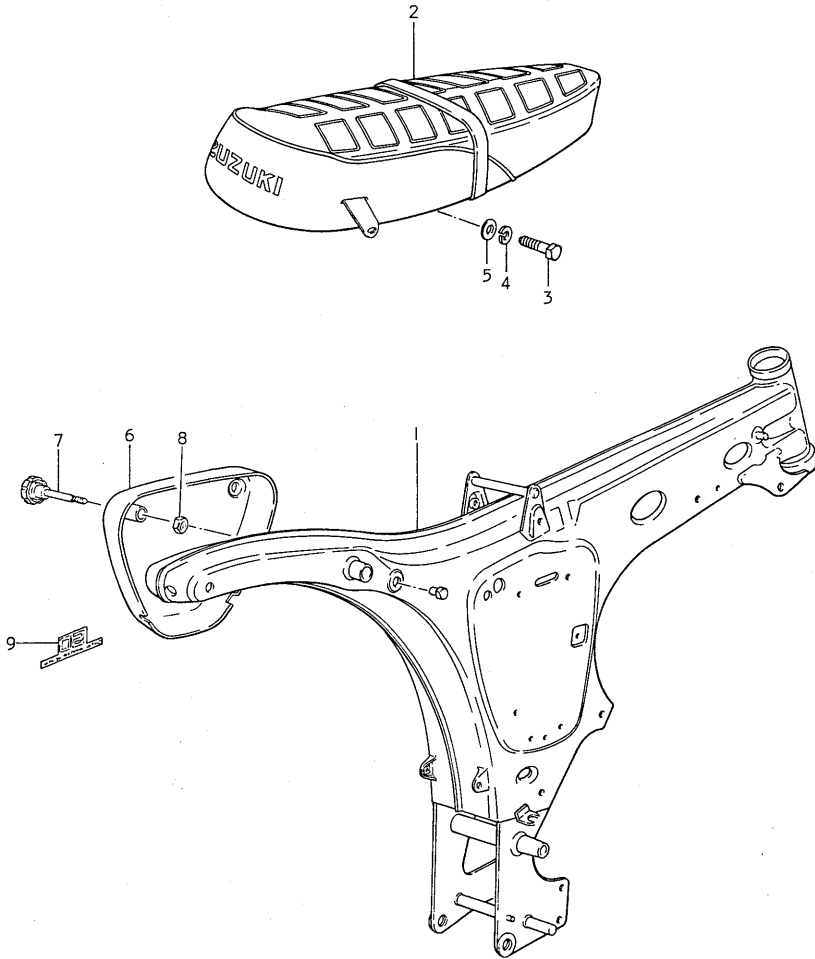


FIG.20 FRAME - FRAME COVER

Ref.No.	Part No.	Description	Qty		Remarks
			B	DB	
1	41100-21201-019	FRAME	1	1	
2	45100-22631-865	SEAT ASSY	1	1	
3	01107-08258	BOLT	2	2	
4	08321-21088	LOCK WASHER	2	2	
5	08322-21088	WASHER	2	2	
6-1	47211-21001-00U	COVER, frame LH	1	1	
6-2	47211-21001-05H	COVER, frame LH	1	1	
7	47130-01002	KNOB, frame cover	1	1	
8	08310-21068	NUT	1	1	
9	68131-46100	EMBLEM	2	2	

FIG. 21 STAND - PEDAL

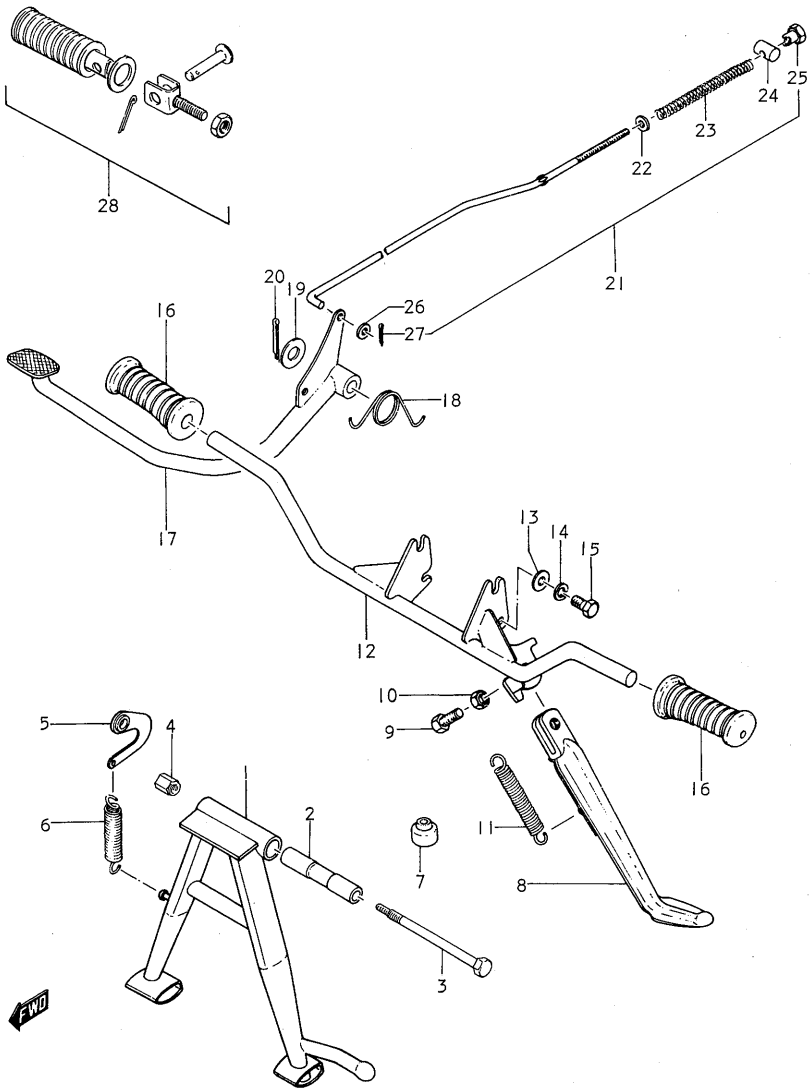


FIG.21 STAND - PEDAL

Ref.No.	Part No.	Description	Q'ty B DB	Remarks
1	42100-22200	STAND, center	1 1	
2	42211-03001	SPACER, center stand	1 1	
3	42221-03001	BOLT, center stand	1 1	
4	42231-09000	NUT	1 1	
5	42251-03002	HOOK, center stand spacer	1 1	
6	09443-16002	SPRING, center stand	1 1	
7	09321-10001	CUSHION, center stand	1 1	
8	42310-35700	STAND, prop	1 1	
9	09100-10007	BOLT, prop stand	1 1	10x27
10	08310-22108	NUT	1 1	
11	09443-14005	SPRING, prop stand	1 1	
12	43510-22000	FOOTRESTBAR	1 1	
13	08322-21088	WASHER	1 1	
14	08321-21088	LOCK WASHER	2 2	
15	01107-08168	BOLT	2 2	
16	43551-03000	RUBBER, footrest	2 2	
17	43110-22001	PEDAL, brake	1 1	

FIG. 21 STAND - PEDAL

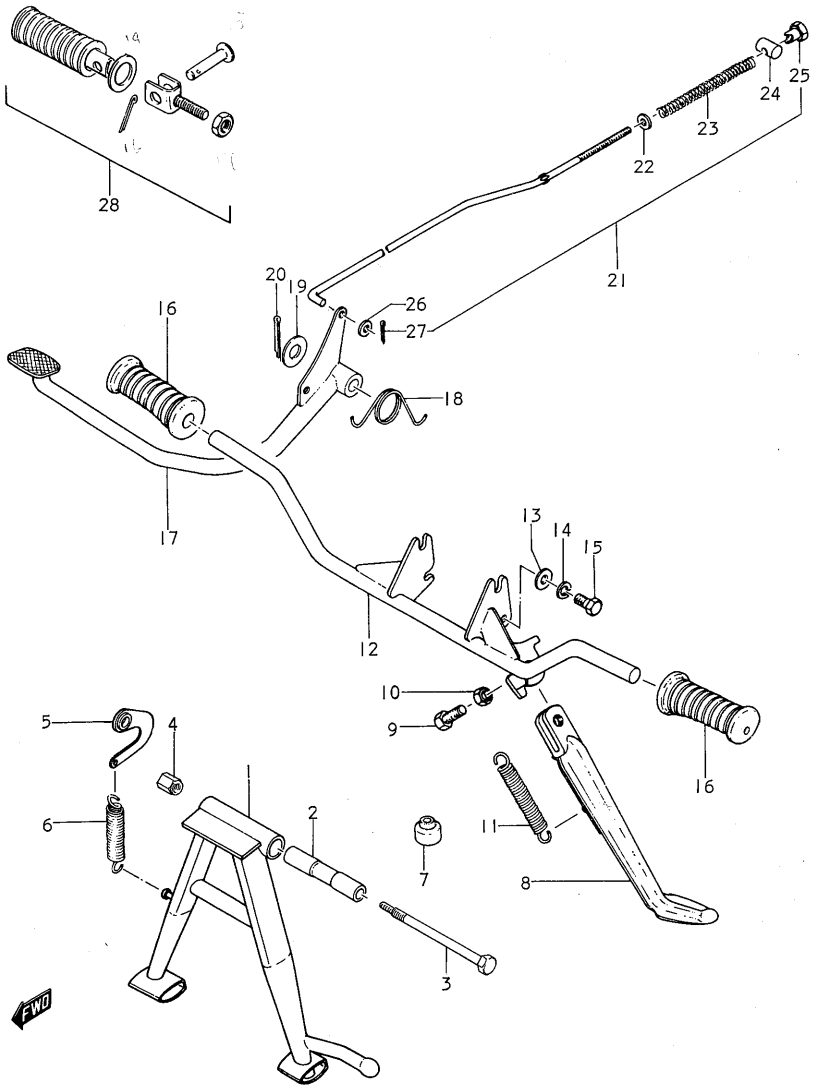


FIG.21 STAND - PEDAL

Ref.No.	Part No.	Description	Q'ty		Remarks
			B	DB	
18	09448-31010	SPRING, brake pedal return	1	1	
19	09160-15002	WASHER, brake pedal	1	1	
20	04111-30308	COTTER PIN	1	1	
21	43300-25000	ROD ASSY, rear brake	1	1	
22	08322-21068	WASHER	1	1	
23	09440-09004	·SPRING	1	1	
24	09209-11002	·PIN	1	1	
25	09150-06001	·NUT	1	1	
26	08322-21058	WASHER	1	1	
27	04111-20208	COTTER PIN	1	1	
28	43600-03001	FOOTREST ASSY, pillion	2	2	

FIG. 22 FUEL TANK

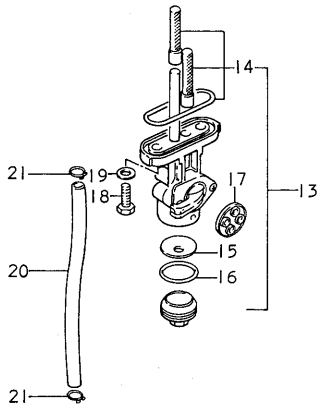
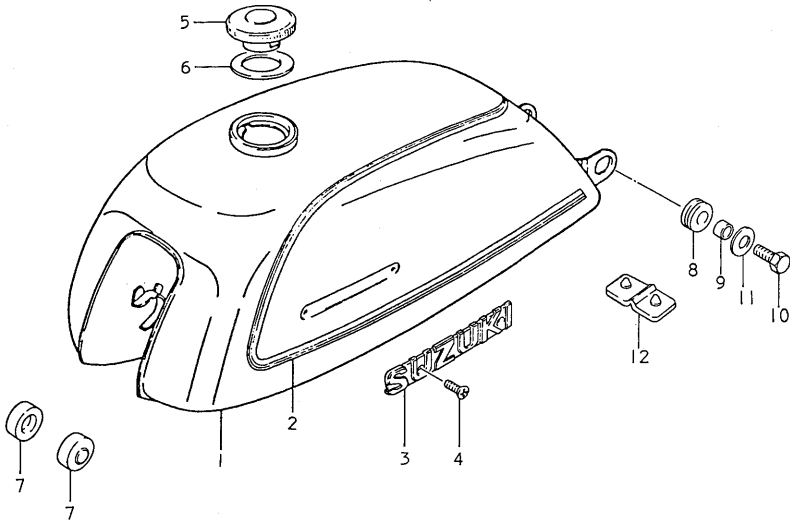


FIG.22 FUEL TANK

Ref.No.	Part No.	Description	Q'ty		Remarks
			B	DB	
1-1	44110-22680-00U	TANK, fuel	1	1	
1-2	44110-22680-05H	TANK, fuel	1	1	
2-1	68101-22820-61P	·TAPE SET, striping	1	1	
2-2	68101-22820-61R	·TAPE SET, striping	1	1	
3	68111-34000	EMBLEM	2	2	
4	09127-03002	SCREW	4	4	
5	44210-23300	CAP	1	1	
6	85413-70000	GASKET	1	1	
7	09329-10005	CUSHION, front	2	2	
8	09320-09002	CUSHION, rear	2	2	
9	09180-06002	SPACER	2	2	6.8x10x7
10	01107-06168	BOLT	2	2	
11	09160-06004	WASHER	2	2	6.5x24x1.6
12	09321-05006	CUSHION	1	1	
13	44300-22571	COCK ASSY, fuel	1	1	
14	44300-28817	·FILTER SET	1	1	
15	44344-28070	·CLEANER	1	1	
16	44346-28070	·GASKET, cup	1	1	
17	44341-28070	·GASKET, lever	1	1	
18	09128-06006	BOLT	2	2	
19	09168-06010	GASKET	2	2	
20	09343-05021	HOSE, fuel	1	1	5x8.2x420
21	09401-08402	CLIP, fuel hose	2	2	

FIG. 23 OIL TANK

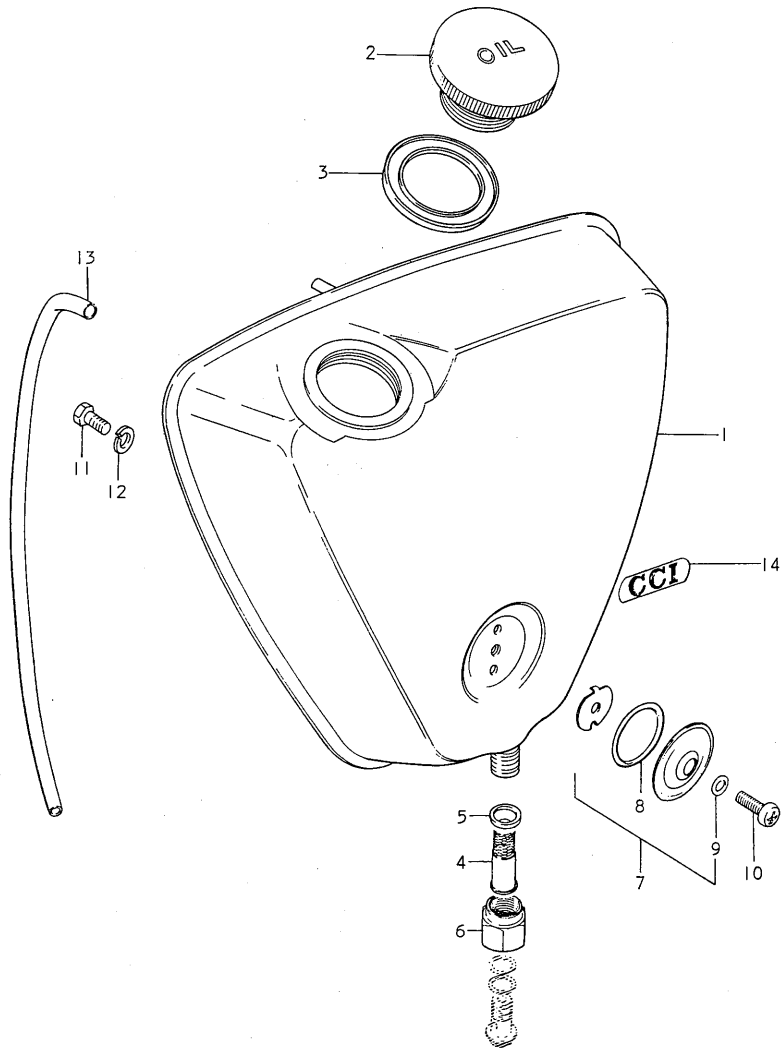


FIG.23 OIL TANK

Ref.No.	Part No.	Description	Q'ty		Remarks
			B	DB	
1-1	44610-21000-00U	OIL TANK	1	1	
1-2	44610-21000-05H	OIL TANK	1	1	
2	44651-11040	CAP, oil tank	1	1	
3	44661-11000	GASKET	1	1	35x46x3.5
4	44720-11030	NET, oil tank outlet strainer	1	1	
5	44733-11030	GASKET	1	1	8.2x13.5x2.5
6	09361-14001	NUT, joint	1	1	
7	44640-11843	LENS SET, oil inspection	1	1	
8	09280-23001	·O RING	1	1	
9	09168-05001	·GASKET	1	1	5x9.5x1.0
10	02112-05168	SCREW	1	1	
11	01107-06108	BOLT	3	3	
12	08321-21068	LOCK WASHER	3	3	
13	09344-05001	HOSE, breather	1	1	
14	68171-26000	EMBLEM, CCI	1	1	

FIG. 24 FRONT FORK

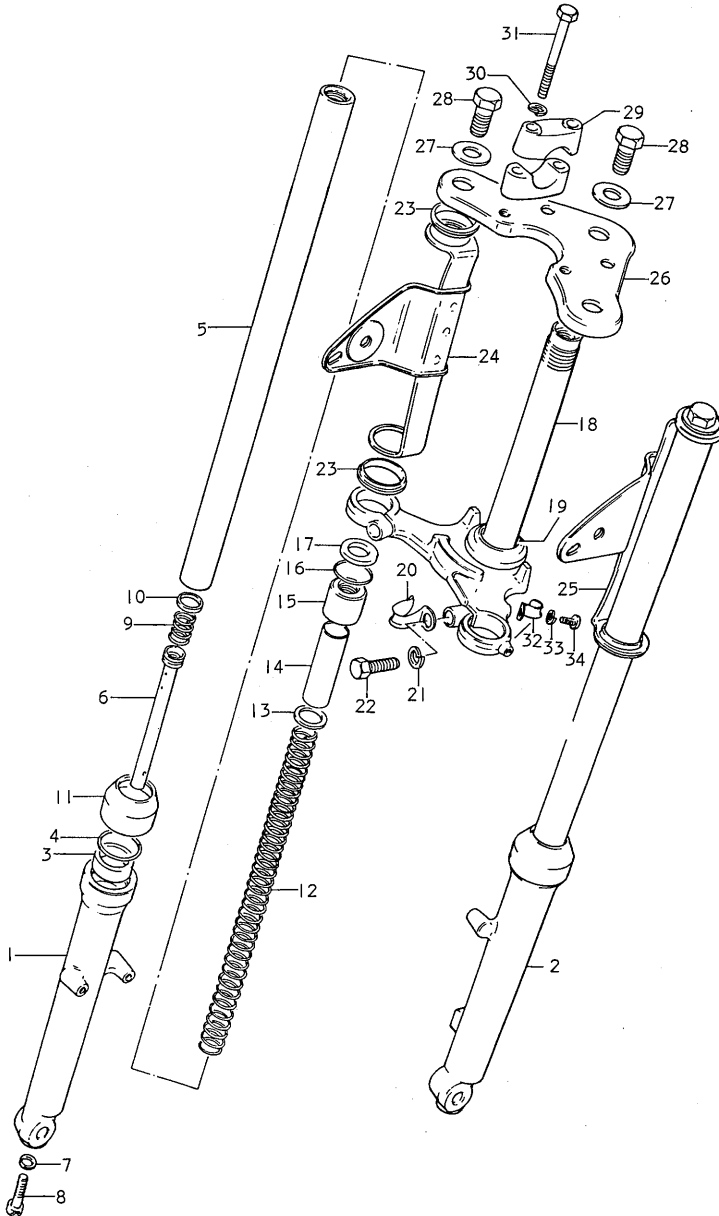


FIG.24 FRONT FORK

Ref.No.	Part No.	Description	Q'ty B	Remarks
	51100-23700-291	FORK ASSY, front	1	
1	51131-23680	·OUTER TUBE, RH	1	
2	51141-23680	·OUTER TUBE, LH	1	
3	51153-46100	·OIL SEAL	2	
4	51156-46100	·STOPPER RING, oil seal	2	
5	51110-23640	·FORK PIPE	2	
6	51146-23640	·SEAT PIPE	2	
7	51148-31030	·GASKET	2	
8	51147-31030	·BOLT	2	
9	51177-46100	·REBOUND SPRING	2	
10	51196-46100	·PISTON RING	2	
11	51571-46100	·DUST SEAL	2	
12	51171-23640	·SPRING	2	
13	51192-46100	·SEAT, spring	2	
14	51176-46100	·COLLOR, spring	2	
15	51172-46100	·SEAT, spring	2	
16	51169-46100	·STOPPER RING	2	
17	51181-22011	·GASKET	2	
18	51410-23640	·STEERING STEM	1	
19	51622-20001	·· OUTER RACE	1	
20	51452-08030	·CLIP	1	
21	08321-21108	·LOCK WASHER	2	
22	01107-10308	·BOLT	2	
23	51553-46100	·CUSHION	4	

FIG. 24 FRONT FORK

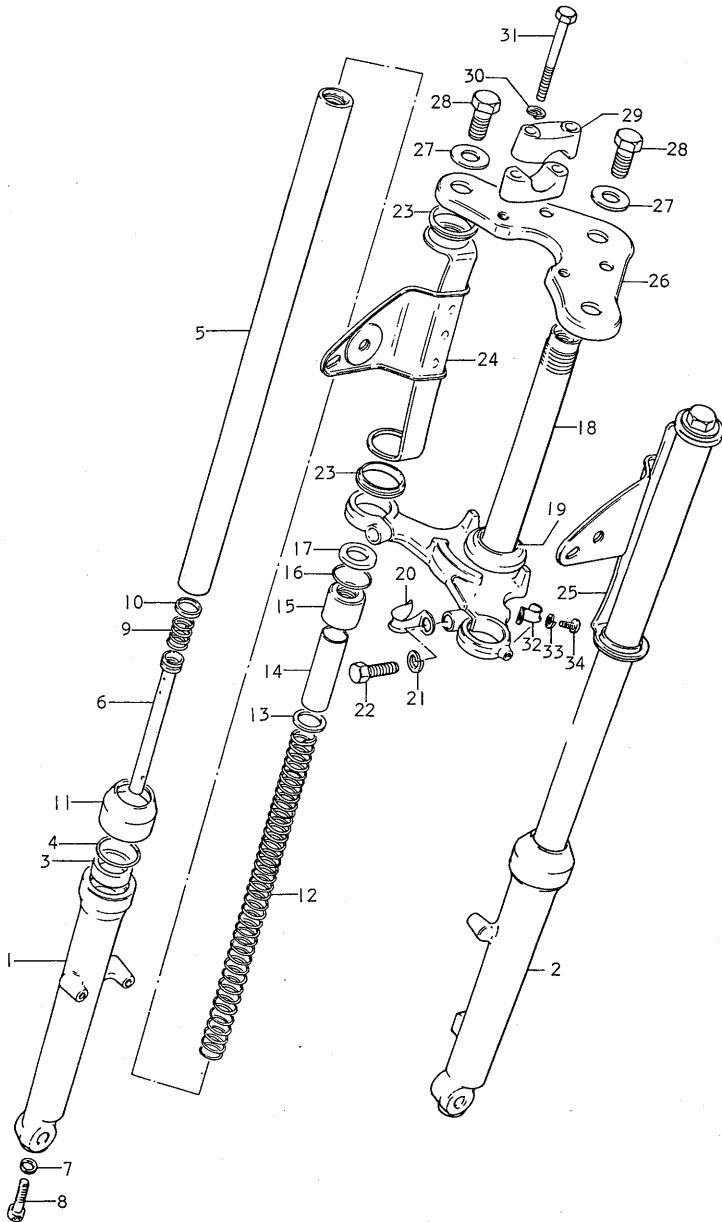


FIG.24 FRONT FORK

Ref.No.	Part No.	Description	Q'ty B	Remarks
24	51530-23670-291	·BRACKET, headlamp RH	1	
25	51540-23670-291	·BRACKET, headlamp LH	1	
26	51310-23640-291	·STEERING STEM HEAD	1	
27	51357-22030	·WASHER	3	
28	51352-46100	·BOLT	3	
29	56211-27130-291	·HOLDER, handle	4	
30	08321-21088	·LOCK WASHER	4	
31	01107-08558	·BOLT	4	
32	51542-05130	·CLIP	1	
33	08321-21068	·LOCK WASHER	1	
34	02112-06128	·SCREW	1	

FIG. 25 FRONT FORK

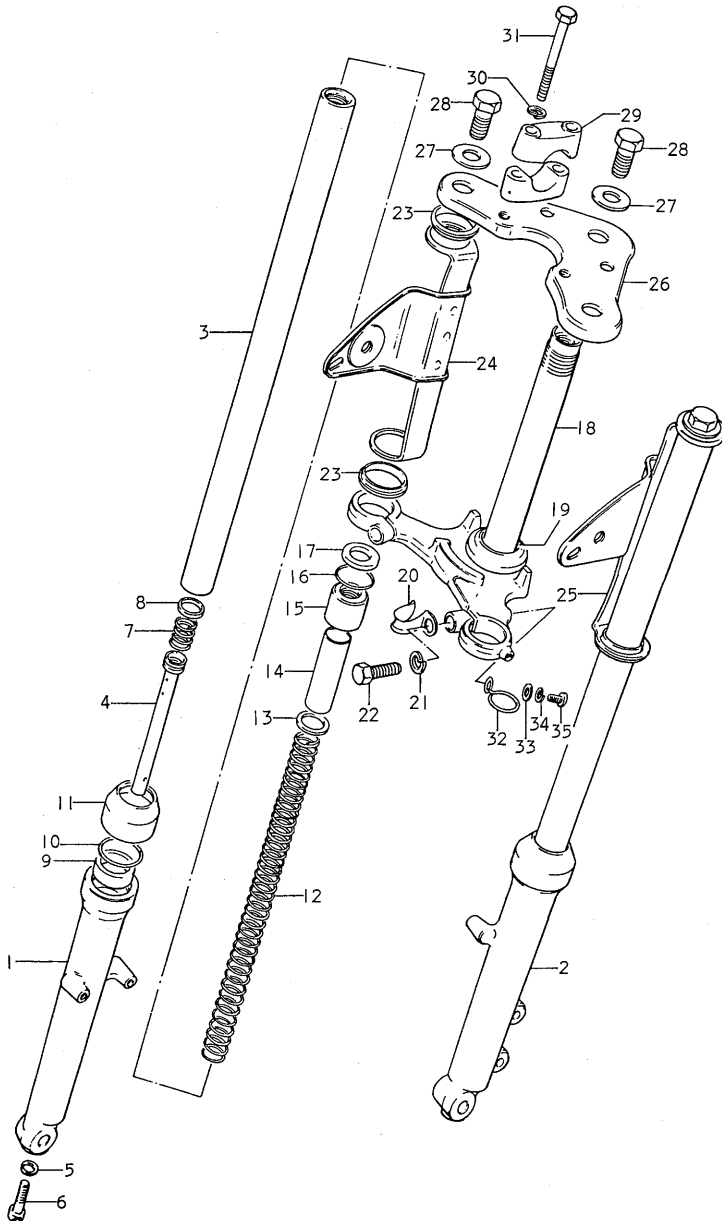


FIG.25 FRONT FORK

Ref.No.	Part No.	Description	Q'ty DB	Remarks
	51100-23670-291	FORK ASSY, front	1	
1	51131-23640	·OUTER TUBE, RH	1	
2	51141-23640	·OUTER TUBE, LH	1	
3	51110-23640	·FORK PIPE	2	
4	51146-23640	·SEAT PIPE	2	
5	51148-31030	·GASKET	2	
6	51147-31030	·BOLT	2	
7	51177-46100	·REBOUND SPRING	2	
8	51196-46100	·PISTON RING	2	
9	51153-46100	·OIL SEAL	2	
10	51156-46100	·STOPPER RING, oil seal	2	
11	51571-46100	·DUST SEAL	2	
12	51171-23640	·SPRING	2	
13	51192-46100	·SEAT, spring	2	
14	51176-46100	·COLOR, spring	2	
15	51172-46100	·SEAT, spring	2	
16	51169-46100	·STOPPER RING	2	
17	51181-22011	·GASKET	2	
18	51410-23640	·STEERING STEM	1	
19	51622-20001	··OUTER RACE	1	
20	51452-08030	·CLIP	2	
21	08321-21108	·LOCK WASHER	2	
22	01107-10308	·BOLT	2	
23	51553-46100	·CUSHION	4	

FIG.25 FRONT FORK

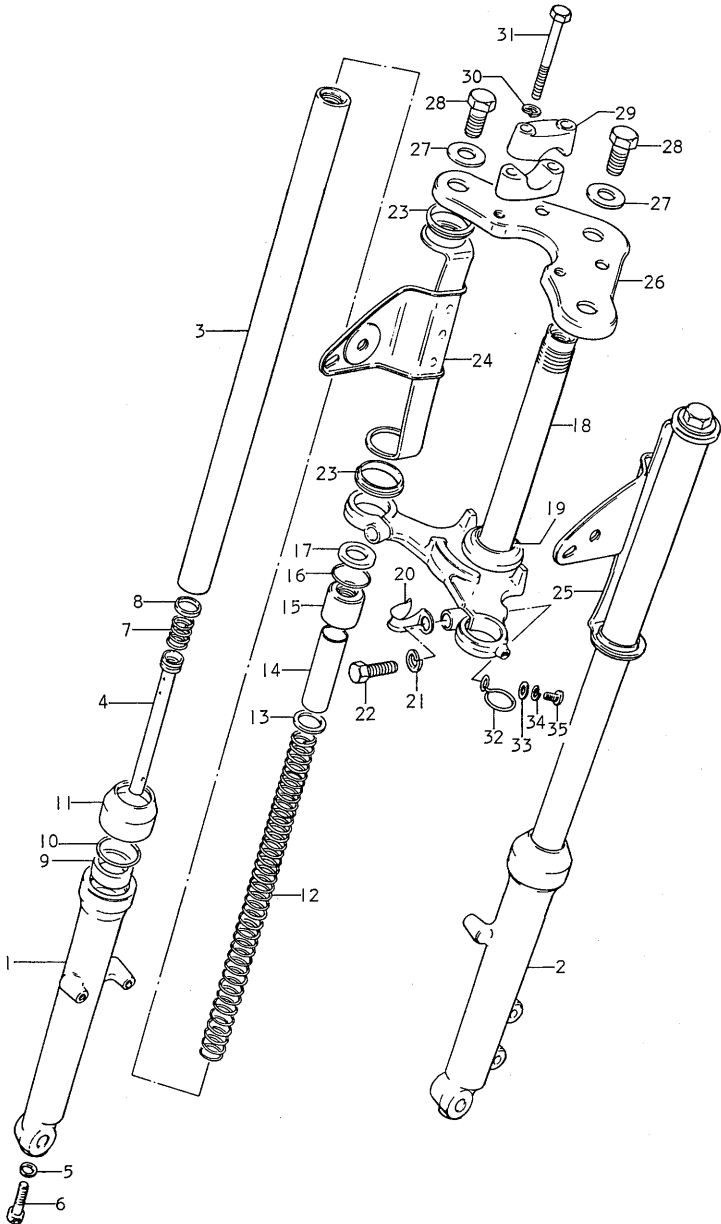


FIG.25 FRONT FORK

Ref.No.	Part No.	Description	Qty DB	Remarks
24	51530-23670-29I	•BRACKET, headlamp RH	1	
25	51540-23670-29I	•BRACKET, headlamp LH	1	
26	51310-23640-29I	•STEERING STEM HEAD	1	
27	51357-22030	•WASHER	3	
28	51352-46100	•BOLT	3	
29	56211-27130-29I	•HOLDER, handle	4	
30	08321-21088	•LOCK WASHER	4	
31	01107-08558	•BOLT	4	
32	51452-46100	•CLIP	1	
33	08322-21068	•WASHER	1	
34	08321-21068	•LOCK WASHER	1	
35	02112-06128	•SCREW	1	

FIG.26 FENDER

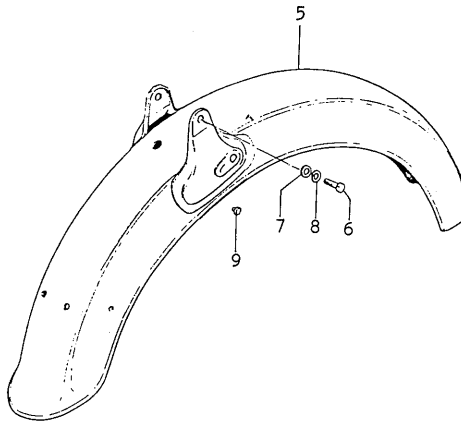
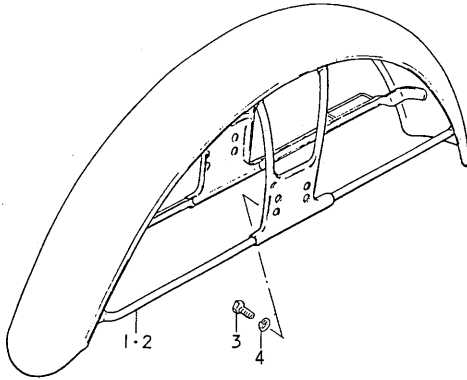


FIG.26 FENDER

Ref.No.	Part No.	Description	Qty		Remarks
			B	DB	
1	53110-22700	FENDER, front	1	-	
2	53110-22610	FENDER, front	-	1	
3	01107-06108	BOLT	4	4	
4	08321-21068	LOCK WASHER	4	4	
5	63110-22609	FENDER, rear	1	1	
6	01107-06128	BOLT	2	2	
7	08322-21068	WASHER	2	2	
8	08321-21068	LOCK WASHER	2	2	
9	09250-07001	CAP, rear fender	2	2	

FIG. 27 FRONT WHEEL

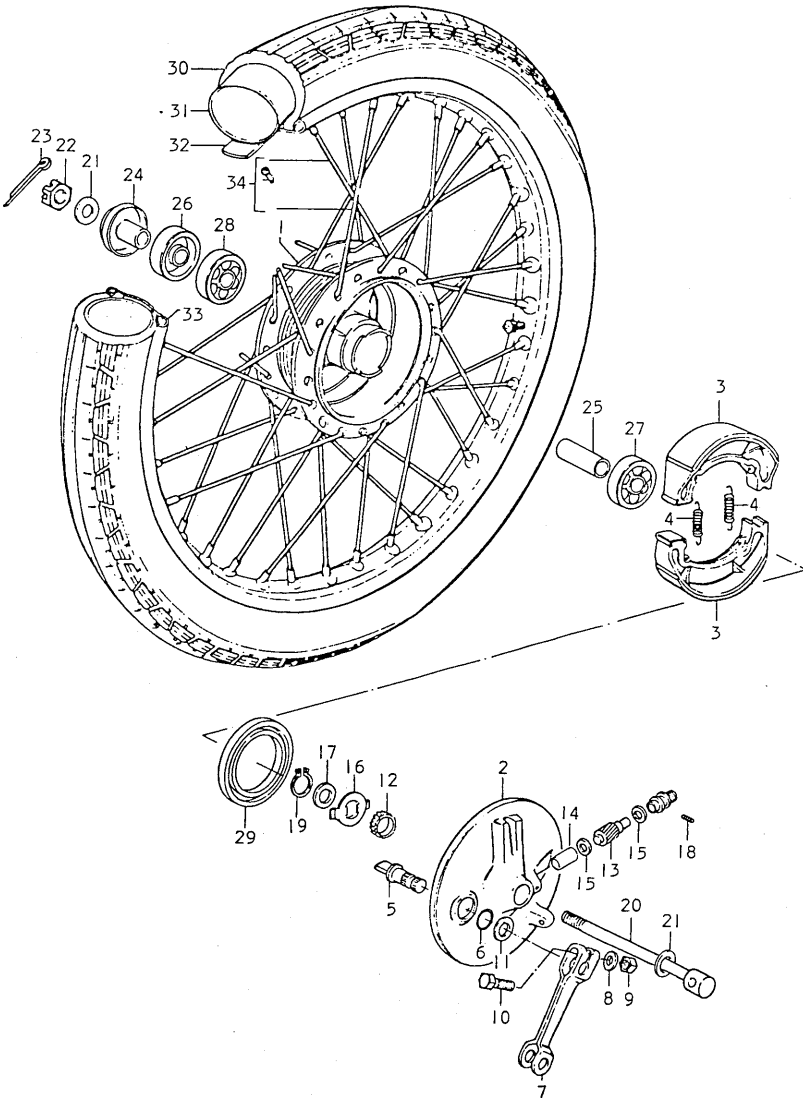


FIG. 27 FRONT WHEEL

Ref.No.	Part No.	Description	Q'ty B	Remarks
1	54110-46001	HUB, front wheel	1	
2	54210-46101	PANEL, front brake	1	
3	54410-43000	SHOE, brake	2	
4	09443-07001	SPRING	2	
5	54441-29300	CAM, brake	1	
6	09280-14003	DUST SEAL	1	
7	54451-46110	LEVER, brake cam	1	
8	08322-21068	WASHER	1	
9	08310-11068	NUT	1	
10	09100-06078	BOLT	1	
11	09160-14001	WASHER, dust seal	1	
12	54611-03001	GEAR, speedometer	1	
13	54621-03000	PINION, speedometer	1	
14	54632-01001	BUSHING	1	
15	09160-05001	THRUST WASHER	2	5.1x9x0.4
16	54661-03000	DRIVER, drive gear	1	
17	09160-16005	THRUST WASHER	1	
18	09134-03101	SCREW	1	
19	08331-31159	CIRCLIP	1	
20	54711-26100	AXLE, front	1	
21	08322-11108	WASHER	2	
22	08314-31108	NUT	1	
23	04111-20308	COTTER PIN	1	
24	54740-26100	SPACER, axle RH	1	
25	09180-10005	SPACER, hub	1	

FIG.27 FRONT WHEEL

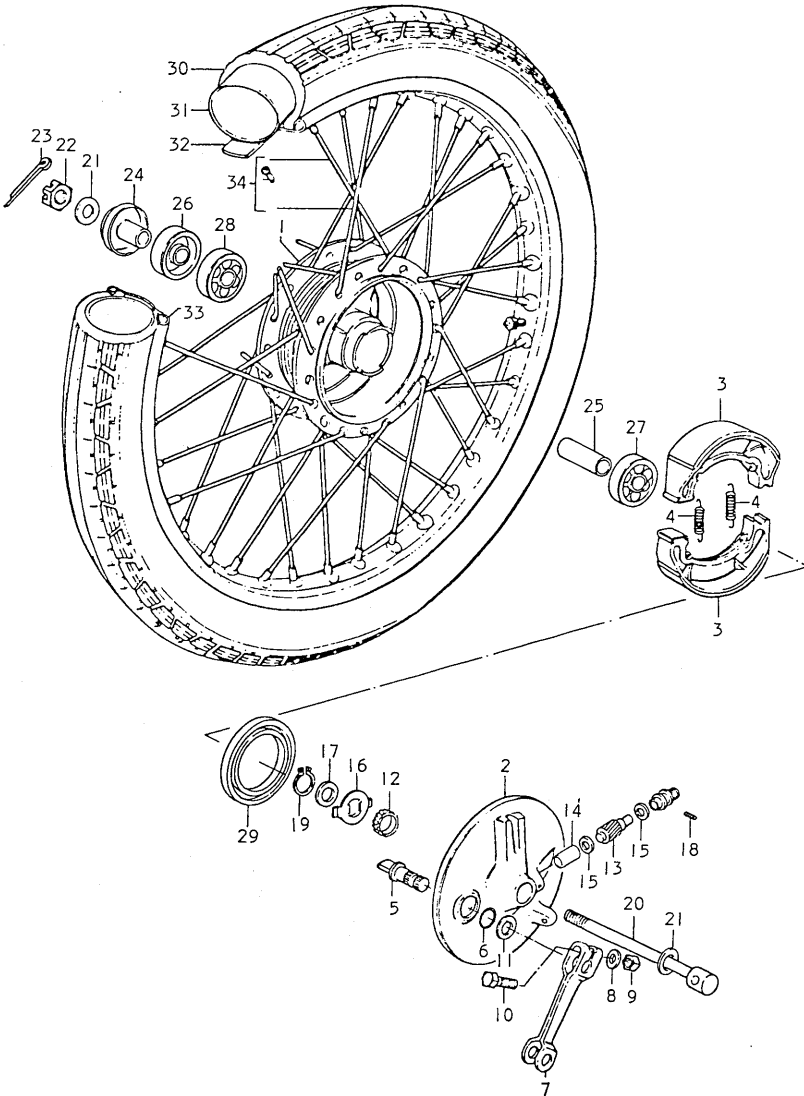


FIG.27 FRONT WHEEL

Ref.No.	Part No.	Description	Q'ty	Remarks
26	09284-15001	OIL SEAL	1	15x31x9.5
27	08143-63000	BEARING, LH	1	
28	08113-62000	BEARING, RH	1	
29	09285-43001	OIL SEAL	1	43x58x7
30	55100-01011	TIRE	1	2.25-17
31	55200-01011	TUBE, inner	1	2.25-17
32	55261-01010	PROTECTOR	1	
33	55311-01020	RIM, wheel	1	
34	55301-01812	SPOKE SET	1	

FIG. 28 FRONT WHEEL

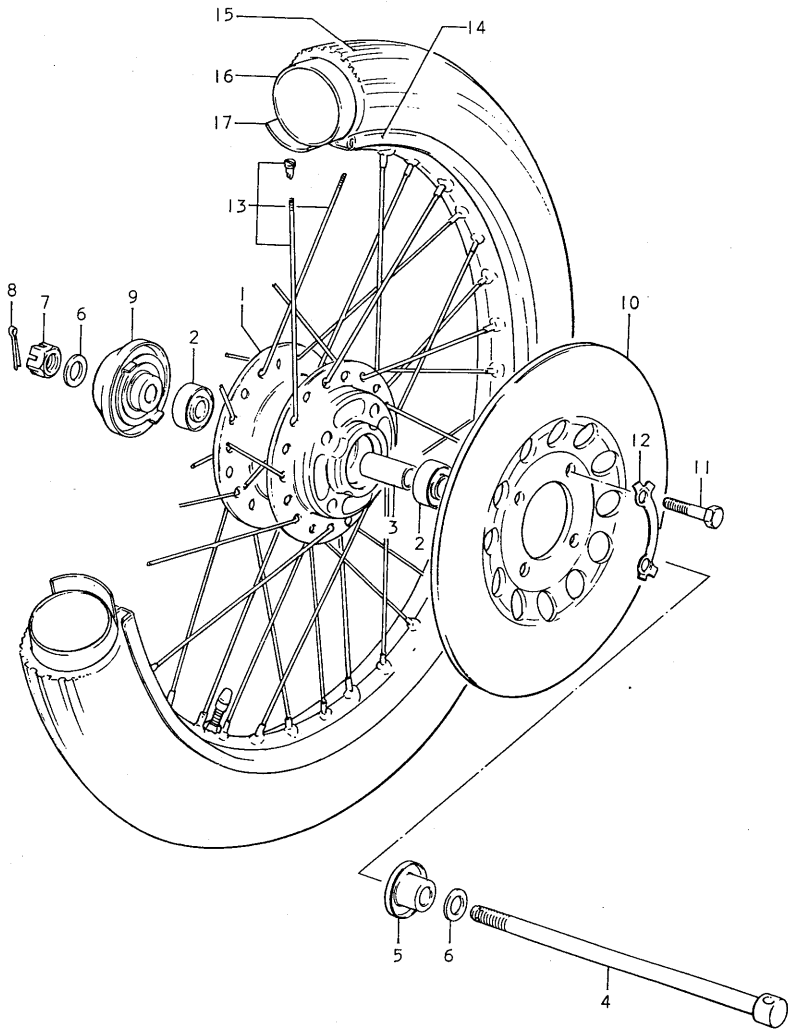


FIG.28 FRONT WHEEL

Ref.No.	Part No.	Description	Q'ty DB	Remarks
1	54111-46100	HUB, front	1	
2	08123-63000	BEARING	2	
3	09180-10005	SPACER	1	
4	54711-26100	AXLE, front	1	
5	54750-46100	SPACER	1	
6	08322-11108	WASHER	2	
7	08314-31108	NUT	1	
8	04111-20308	COTTER PIN	1	
9	54600-46100	BOX, speedometer gear	1	
10	59211-46100	BRAKE, disk	1	
11	09100-08094	BOLT	4	
12	09169-08019	WASHER	2	
13	55300-46810	SPOKE SET	1	
14	55311-22600	RIM, wheel	1	
15	55100-01011	TIRE	1	2.25-17
16	55200-01011	TUBE, inner	1	2.25-17
17	55261-01010	PROTECTOR, inner tube	1	

FIG.29 HANDLEBAR - CONTROL CABLE

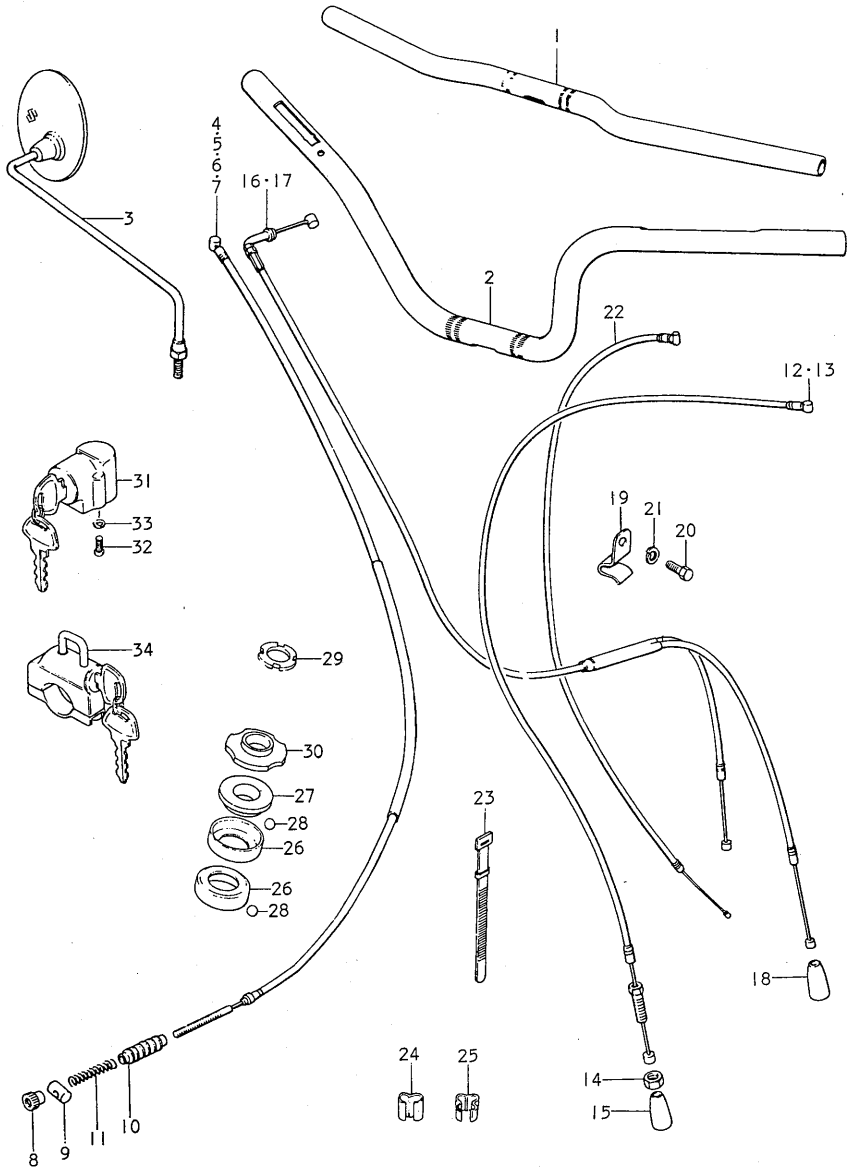


FIG.29 HANDLEBAR - CONTROL CABLE

Ref.No.	Part No.	Description	Q'ty		Remarks
			B	DB	
1	56111-20001	HANDLEBAR	1	1	Flat Handle
2	56111-20712	HANDLEBAR	1	1	Semi Western
3	56500-19010	MIRROR ASSY, rear view	1	1	
4	58100-03731	CABLE ASSY, brake	1	-	For Semi Western
5	58100-07721	CABLE ASSY, brake	1	-	For Flat
6	58100-22600	CABLE ASSY, brake	-	1	For Semi Western
7	58100-22610	CABLE ASSY, brake	-	1	For Flat
8	09150-05101	-NUT	1	1	
9	09209-10001	-PIN	1	1	
10	09287-07001	-BOOT	1	1	
11	09440-06003	-SPRING	1	1	
12	58200-07001	CABLE ASSY, clutch	1	1	For Flat
13	58200-05710	CABLE ASSY, clutch	1	1	For Seim Western
14	08312-11088	-NUT	1	1	
15	09287-07002	-BOOT	1	1	
16	58300-22600	CABLE ASSY, throttle	1	1	For Flat
17	58300-22630	CABLE ASSY, throttle	1	1	For Semi Western
18	09287-07002	BOOT, throttle cable	1	1	
19	09403-09304	CLAMP, throttle cable connector	1	1	
20	01107-06108	BOLT	1	1	
21	08321-21068	LOCK WASHER	1	1	

FIG. 29 HANDLEBAR - CONTROL CABLE

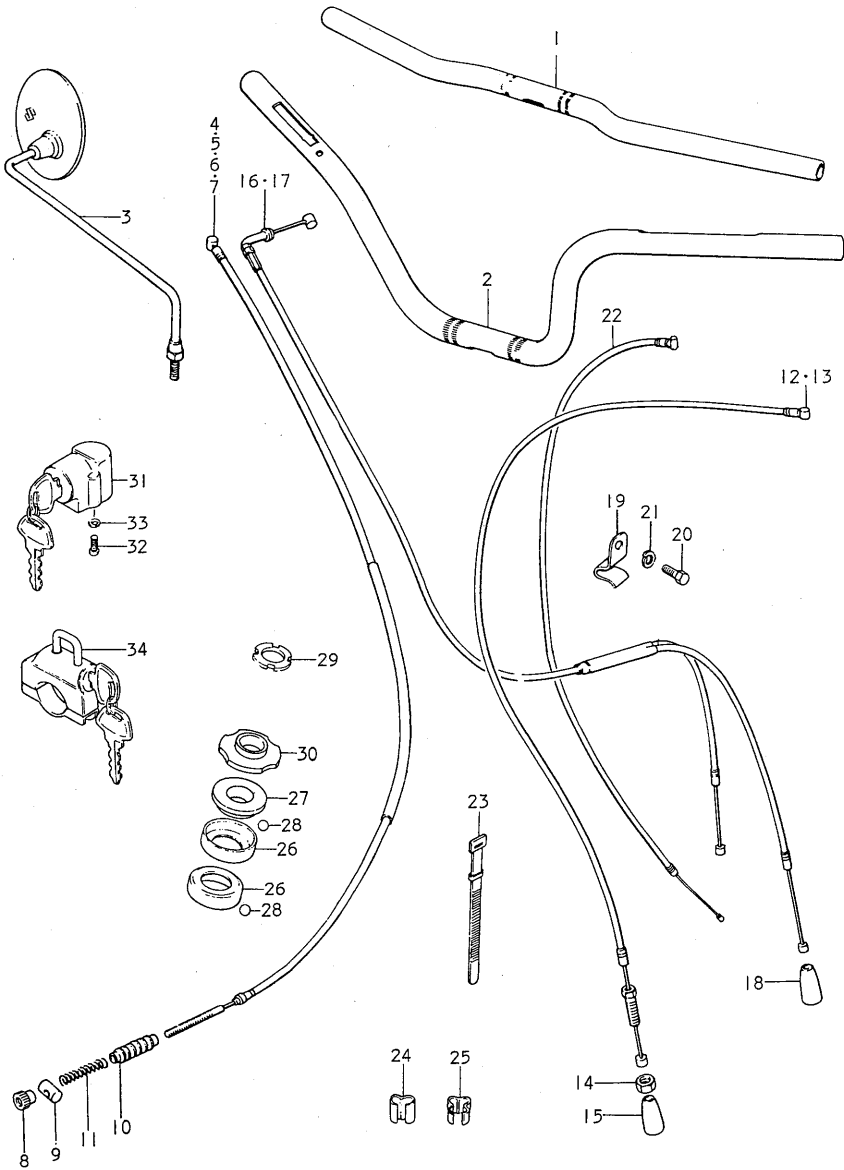


FIG.29 HANDLEBAR - CONTROL CABLE

Ref.No.	Part No.	Description	Q'ty		Remarks
			B	DB	
22	58410-01751	CABLE, starter	1	1	For Flat & Semi Western
23	09407-06401	CLIP	2	2	
24	09408-00002	CLIP	1	1	
25	09408-00014	CLIP	1	1	
26	51611-20002	RACE, steering inner	2	2	
27	51621-25000	RACE, steering upper outer	1	1	
28	06111-06003	STEEL BALL	44	44	
29	51631-05000	NUT, stem	1	1	
30	51643-06001	DUST SEAL	1	1	
31	51910-25310	LOCK ASSY, steering	1	1	
32	02112-05128	SCREW	2	2	
33	08321-21058	LOCK WASHER	2	2	
34	90001-31817	LOCK ASSY, helmet	1	1	

FIG.30 GRIP - HANDLE SWITCH

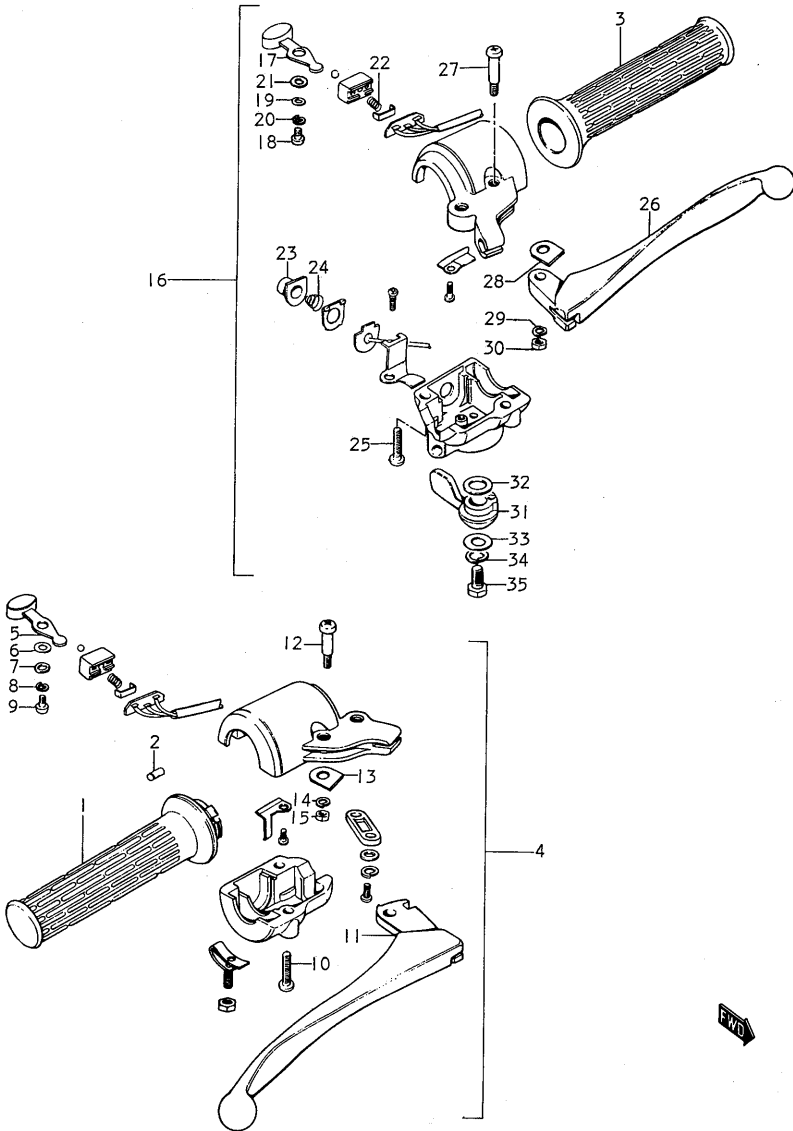


FIG.30 GRIP - HANDLE SWITCH

Ref.No.	Part No.	Description	Q'ty		Remarks
			B	DB	
1	57110-20010	GRIP ASSY, throttle	1	1	
2	58631-07010	PIECE	1	1	
3	57211-20010	GRIP ASSY, LH	1	1	
4	57300-20713	BRAKE LEVER & RH SWITCH ASSY	1	1	
5	57320-01011	•KNOB, dimmer switch	1	1	
6	57334-01010	•WASHER, spring	1	1	
7	08322-21038	•WASHER	1	1	
8	08321-21038	•LOCK WASHER	1	1	
9	09125-03103	•SCREW	1	1	
10	09125-05105	•SCREW	2	2	
11	57421-27210	•LEVER, brake	1	1	
12	57431-01011	•BOLT, pivot	1	1	
13	57435-20010	•SPACER, lever	1	1	
14	08321-21058	•LOCK WASHER	1	1	
15	08310-11058	•NUT	1	1	

FIG.30 GRIP - HANDLE SWITCH

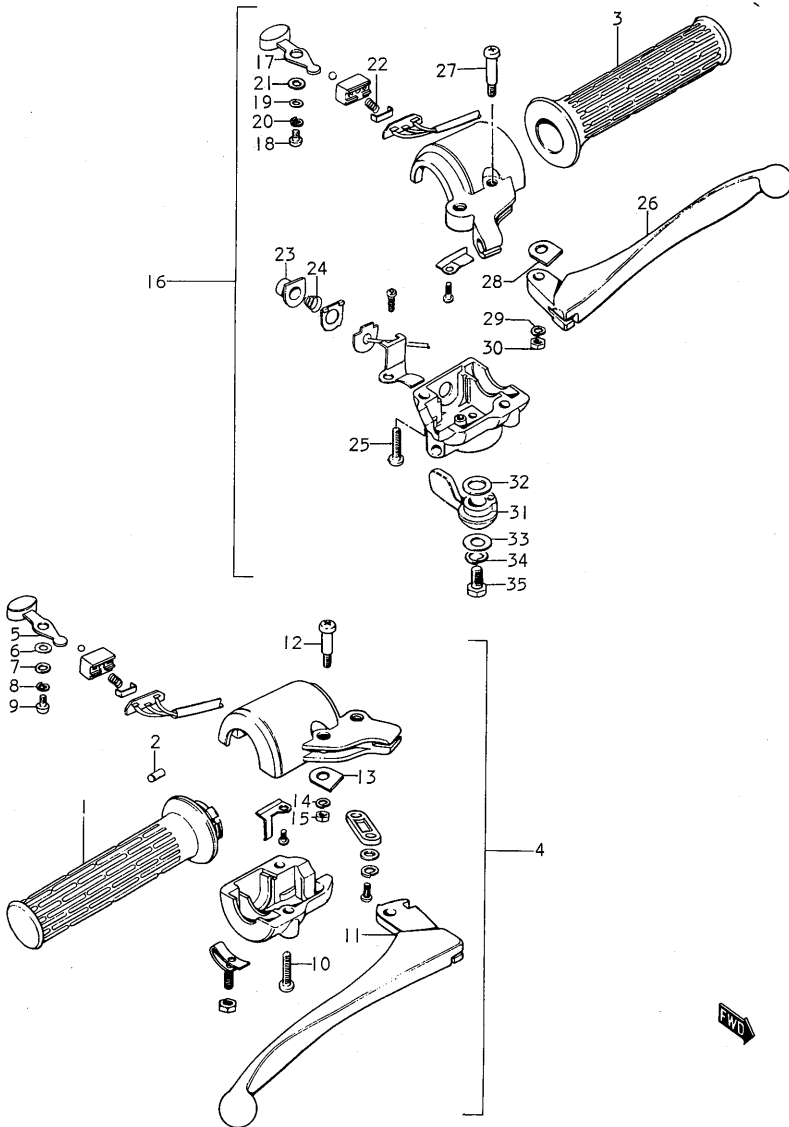


FIG.30 GRIP - HANDLE SWITCH

Ref.No.	Part No.	Description	Q'ty		Remarks
			B	DB	
16	57500-21012	CLUTCH LEVER & LH SWITCH ASSY	1	1	
17	57320-01011	•KNOB	1	1	
18	09125-03103	•SCREW	1	1	
19	08322-21038	•WASHER	1	1	
20	08321-21038	•LOCK WASHER	1	1	
21	57334-01010	•WASHER, spring	1	1	
22	57337-01010	•SPRING	1	1	
23	57370-01311	•BUTTON, horn	1	1	
24	57382-01311	•SPRING, horn button	1	1	
25	09125-05105	•SCREW	2	2	
26	57621-27210	•LEVER, clutch	1	1	
27	57431-01011	•SCREW, pivot	1	1	
28	57435-20010	•SPACER, lever	1	1	
29	08321-21058	•LOCK WASHER	1	1	
30	08310-11058	•NUT	1	1	
31	58721-25611	•LEVER, starter	1	1	
32	58722-03010	•WASHER, spring	1	1	
33	58723-03010	•WASHER	1	1	
34	08321-21068	•LOCK WASHER	1	1	
35	01107-06128	•BOLT	1	1	

FIG. 31 CALIPAS

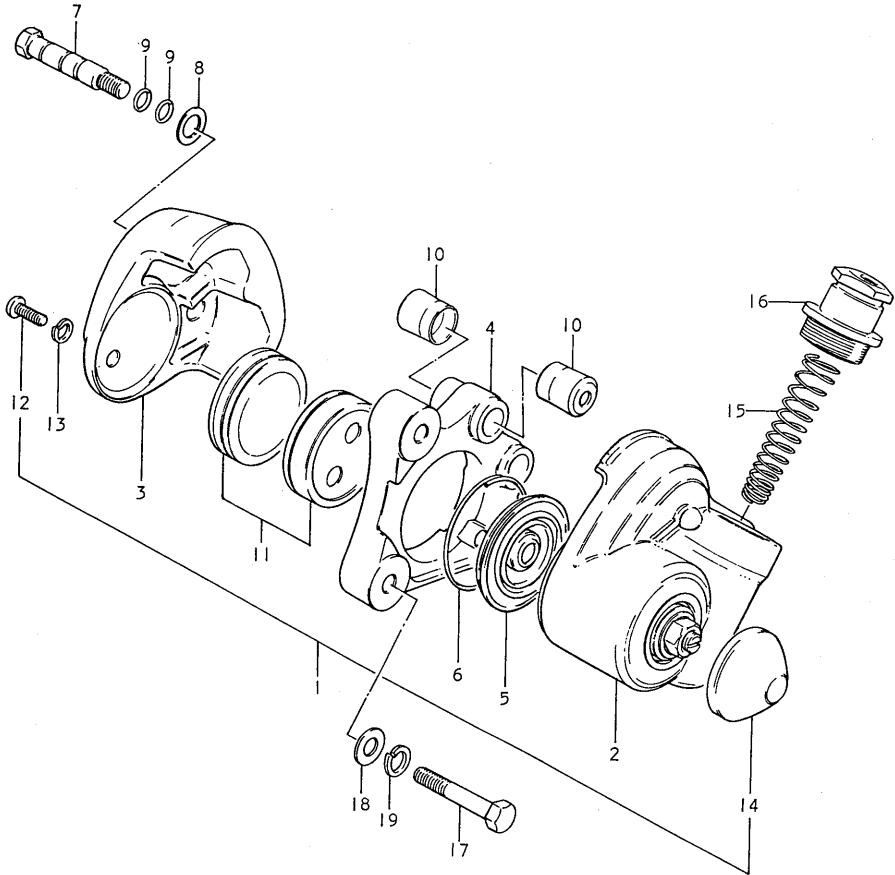


FIG.31 CALIPAS

Ref.No.	Part No.	Description	Q'ty DB	Remarks
1	59300-46100	CALIPAS ASSY, LH	1	
2	59360-46100	·HOUSING ASSY, calipas No.1	1	
3	59371-46100	·HOUSING, calipas No.2	1	
4	59150-46100	·HOLDER, calipas LH	1	
5	59308-46100	·BOOT	1	
6	59309-46100	·CLIP	1	
7	59305-46100	·AXLE	2	
8	59306-46100	·WASHER	2	
9	59111-18410	·O RING	4	
10	59112-18410	·DUST COVER	4	
11	59300-46810	·PAD SET	1	
12	02112-06108	·SCREW	1	
13	08321-21068	·LOCK WASHER	1	
14	59381-46100	·BOOT	1	
15	59372-46100	·SPRING, lever return	1	
16	59373-46100	·PLUG, brake cable	1	
17	09104-08014	BOLT	2	
18	08322-21088	WASHER	2	
19	08321-31088	LOCK WASHER	2	

FIG.32 REAR SWINGING ARM

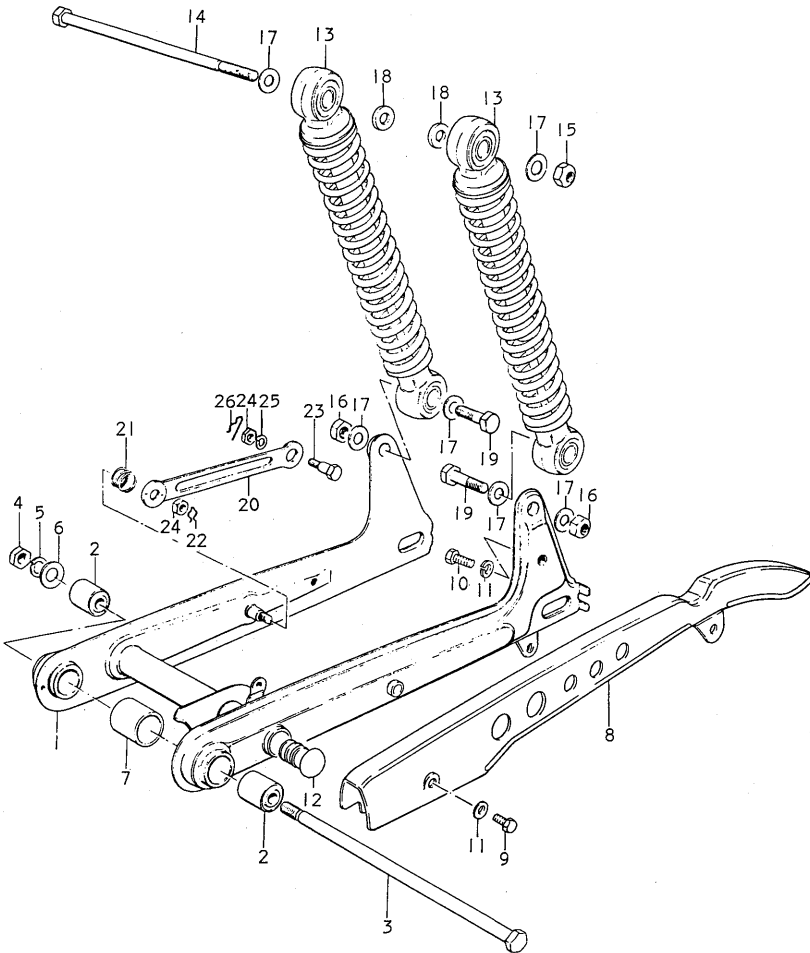


FIG.32 REAR SWINGING ARM

Ref.No.	Part No.	Description	Q'ty		Remarks
			B	DB	
1	61100-22880-019	SWINGING ARM SET, rear	1	1	
2	09319-10009	BUSH	2	2	
3	61211-20001	SHAFT, pivot	1	1	
4	08310-12108	NUT	1	1	
5	08321-21108	LOCK WASHER	1	1	
6	08322-21108	WASHER	2	2	
7	09320-22001	CUSHION, pivot shaft	1	1	
8	61310-22610	CHAIN CASE, upper half	1	1	
9	09100-06005	BOLT	1	1	6x6
10	09100-06051	BOLT	1	1	6x15
11	08322-21068	WASHER	2	2	
12	09250-22002	CAP	2	2	
13	62100-22610	SHOCK ABSORBER ASSY, rear	2	2	
14	62311-19600	SHAFT, shock absorber upper	1	1	
15	09140-10012	NUT	1	1	
16	08313-11108	NUT	2	2	
17	08322-21108	WASHER	6	6	
18	09160-10005	WASHER, upper	2	2	10x15x1.2
19	09100-10046	BOLT	2	2	10x43
20	64311-01001	TORQUE LINK, rear	1	1	
21	09440-18002	SPRING	1	1	
22	09384-06001	CLIP	1	1	
23	09111-08013	BOLT, rear torque link	1	1	
24	09140-08008	NUT	2	2	
25	08321-21088	LOCK WASHER	1	1	
26	09385-10001	CLIP, rear	1	1	

FIG. 33 REAR WHEEL

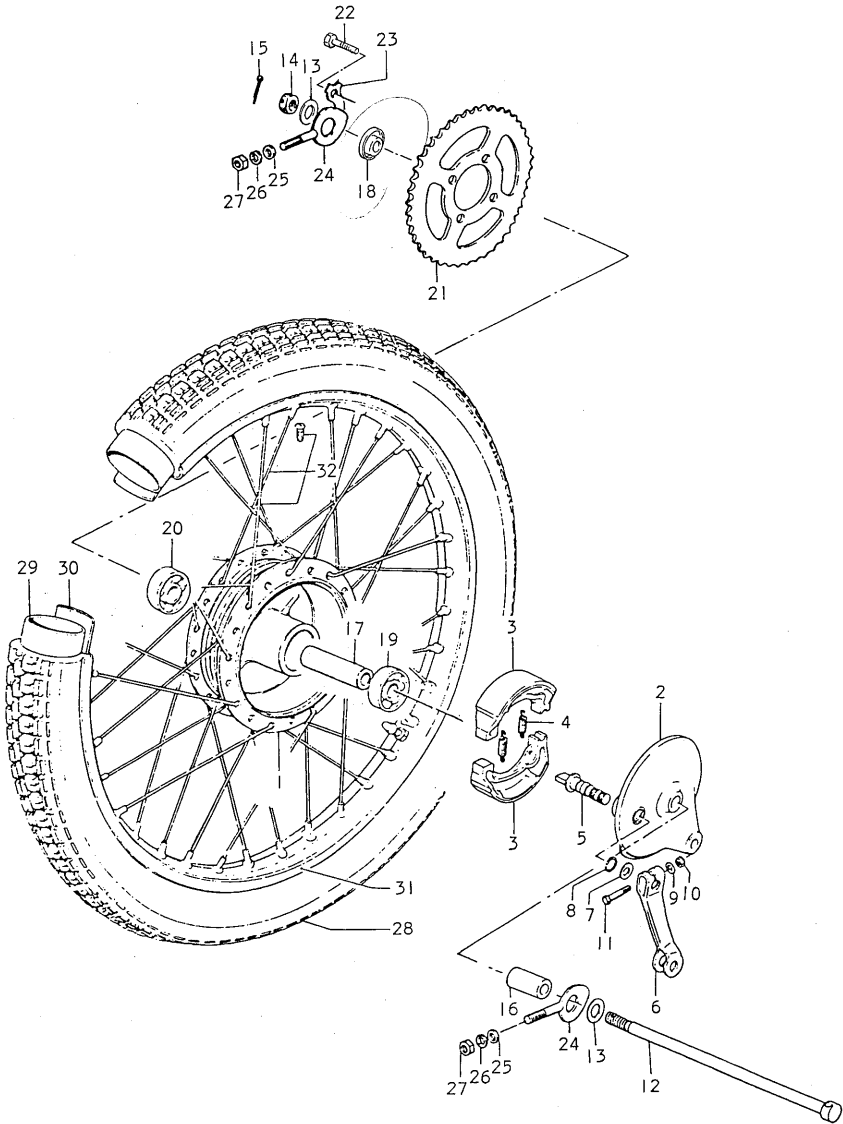


FIG.33 REAR WHEEL

Ref.No.	Part No.	Description	Q'ty		Remarks
			B	DB	
1	64110-46100	DRUM, rear hub	1	1	
2	64210-46001	PANEL, rear hub	1	1	
3	54410-43000	SHOE, brake	2	2	
4	09443-07001	SPRING, brake shoe	2	2	
5	54441-29300	SHAFT, brake cam	1	1	
6	64451-46100	LEVER, rear brake cam	1	1	
7	09160-14001	WASHER	1	1	12.5x20x1
8	09280-14003	O RING	1	1	
9	08322-21068	WASHER	1	1	
10	08310-11068	NUT	1	1	
11	09100-06078	BOLT, brake cam lever	1	1	
12	64711-43000	AXLE, rear	1	1	
13	09160-12012	WASHER	2	2	
14	08314-31128	NUT	1	1	
15	04111-30308	COTTER PIN	1	1	
16	09180-12005	SPACER, rear axle RH	1	1	
17	09180-12078	SPACER, rear hub bearing	1	1	
18	64750-22600	SPACER, rear axle LH	1	1	
19	08143-63010	BEARING, rear hub RH	1	1	
20	08123-63010	BEARING, rear hub LH	1	1	
21-1	64511-01799	SPROCKET, rear	1	1	NT:40
21-2	64511-01970	SPROCKET, rear	1	1	NT:35 OPT
22	09100-08140	BOLT	4	4	
23	09169-08011	WASHER	2	2	

FIG. 33 REAR WHEEL

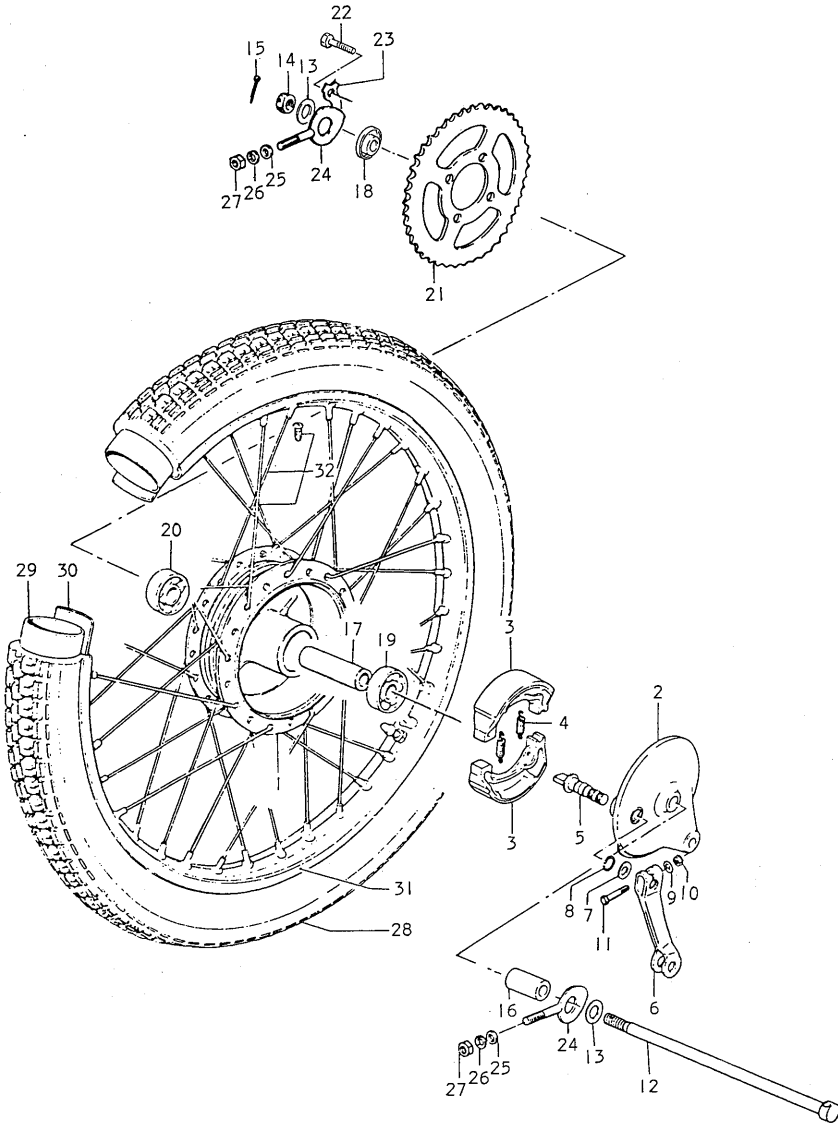


FIG.33 REAR WHEEL

Ref.No.	Part No.	Description	Q'ty		Remarks
			B	DB	
24	61411-01002	ADJUSTER, chain	2	2	
25	08322-21068	WASHER	2	2	
26	08321-21068	LOCK WASHER	2	2	
27	08310-11068	NUT	2	2	
28	65100-01011	TIRE	1	1	2.25-17
29	55200-01011	TUBE, inner	1	1	2.25-17
30	55261-01010	PROTECTOR, tube	1	1	
31	55311-01020	RIM, wheel	1	1	
32	65301-01817	SPOKE SET	1	1	

FIG. 34 OPTIONAL

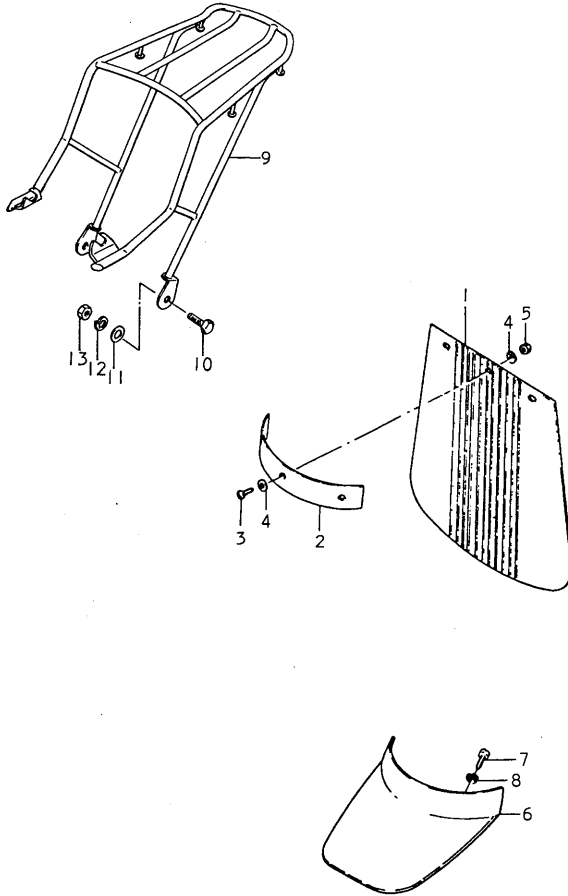


FIG.34 OPTIONAL

Ref.No.	Part No.	Description	Q'ty		Remarks
			B	DB	
1	53311-40000	FLAP, front fender mud	1	1	
2	53321-09100	PLATE, mud flap	1	1	
3	02112-04108	SCREW	3	3	
4	08322-21048	WASHER	6	6	
5	08310-21048	NUT	3	3	
6	63310-12701	PLATE, rear fender extension	1	1	
7	01104-05108	BOLT	2	2	
8	08321-21058	LOCK WASHER	2	2	
9	46310-22602	CARRIER, sports	1	1	
10	01107-06128	BOLT	2	2	
11	08322-21068	WASHER	2	2	
12	08321-21068	LOCK WASHER	2	2	
13	08310-11068	NUT	2	2	

FIG.35 OPTIONAL

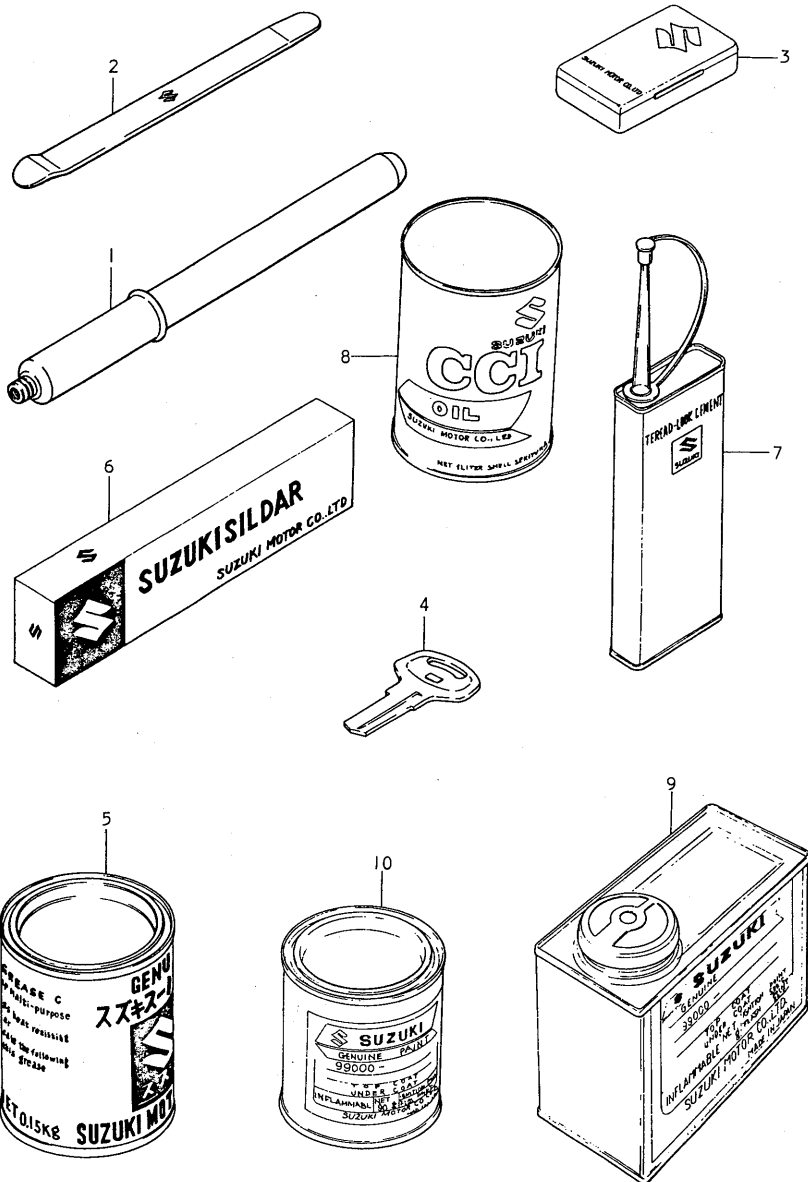


FIG. 35 OPTIONAL

Ref.No.	Part No.	Description	Q'ty		Remarks
			B	DB	
1	09821-00004	AIR INFLATOR	1	1	
2	09825-00002	TIRE LEVER	2	2	
3	09826-00001	TOOL SET, inner tube repairing	1	1	
4	37145-19710	BLANK KEY	1	1	
5	99000-25030	GREASE, super	1	1	
6	99000-33020	GASKET, liquid	1	1	
7	99000-32040	CEMENT, thread	1	1	
8-1	99000-21145	SUZUKI CCI OIL (1&x24)	1	1	
8-2	99000-21021	SUZUKI CCI OIL (4&x6)	1	1	
8-3	99000-21150	SUZUKI CCI OIL (200&)	1	1	
8-4	99000-21250	SUZUKI CCI SUPER OIL (1&x24)	1	1	
8-5	99000-21260	SUZUKI CCI SUPER OIL (4&x6)	1	1	
9-1	99000-10105-019	PAINT (BLACK)	1	1	} NET:500g
9-2	99000-10205-126	PAINT (PEARL METALLIC)	1	1	
9-3	99000-10105-291	PAINT (BLACK SEMI-GLOSS)	1	1	
9-4	99000-10205-00U	PAINT (CANDY ROSE)	1	1	
9-5	99000-10205-05H	PAINT (CANDY FLORIDA BLUE)	1	1	
10-1	99000-10109-019	PAINT (BLACK)	1	1	} NET:90g
10-2	99000-10209-126	PAINT (PEARL METALLIC)	1	1	
10-3	99000-10109-291	PAINT (BLACK SEMI-GLOSS)	1	1	
10-4	99000-10209-00U	PAINT (CANDY ROSE)	1	1	
10-5	99000-10209-05H	PAINT (CANDY FLORIDA BLUE)	1	1	
	11400-26821	GASKET SET	1	1	

PARTS NUMBER INDEX



Part No.	Page-Ref.No.	Part No.	Page-Ref.No.	Part No.	Page-Ref.No.
----------	--------------	----------	--------------	----------	--------------

I 0000

11111-26000	1-01	13392-01010	6-15	24231-05101	10-02
11141-14000	1-02	13394-01010	6-16	24241-05100	10-05
11211-26000	1-08	13411-01010	6-17	24251-05100	10-09
11241-19300	1-09	13417-01010	6-18	24310-05102	10-17
11300-22851	3-01	13418-03110	6-19	24321-05103	10-20
11300-26832	2-01	13551-26010	6-20	24331-05102	10-19
11351-22201	3-13	13573-05010	6-21	24341-05100	10-22
11361-22201	3-22	13577-03010	6-22	24351-05100	10-24
11380-05841	3-19	13581-01010	6-24	24741-35000	10-14
11380-05842	4-01	13661-03010	6-23	24821-09000	2-19
11385-26000	8-18	13688-08010	6-25	25211-05100	11-01
11400-22870	35-0	13700-22610-019	4-09	25221-05100	11-02
11440-22500	4-05	13710-05010	4-10	25311-05100	11-06
11481-05000	2-02	13721-22610	4-11	25340-05101	11-11
11482-05000	3-02	13742-05110	4-15	25350-05100	11-15
11483-26000	3-14	13780-05110	4-12	25354-05101	11-13
11492-05002	4-03	13881-05002	4-16	25381-05100	11-08
11910-06000	4-07	14150-22310	7-05	25411-05100	11-07
12110-35000	5-01-1	14181-05010	7-01	25510-22200	11-28
12110-35750	5-01-2	14182-05010	7-06	25600-05201	11-34
12110-35760	5-01-3	14301-22310	7-02	25652-16500	11-35
12140-05751	5-02-2	14510-05003	7-03	25671-19000	11-31
12140-05761	5-02-3	14771-08210	7-07	26211-35001	12-01
12140-05828	5-02-1	16100-26010	8-01	26221-01030	12-02
12151-02000	5-03	16292-03111	8-02	26222-01001	12-03
12161-35000	5-07	16391-05030	8-05	26231-01000	12-06
12200-06100	5-06	16731-03100	8-06	26232-01000	12-09
12211-06100	5-09	16810-12631	8-10	26241-05101	12-14
12221-06101	5-11	16820-26030	8-12	26300-13990	12-15
12261-06100	5-12			26352-01000	12-16
12410-22210	5-18			27511-19000	10-29
12421-05210	5-19			27600-05011	10-33
12450-26000	5-21			27620-01011	10-34
12461-05002	5-24				
12471-05001	5-25				

20000

12511-06100	5-13	21111-03001	5-27
13200-05112	6-0	21200-05102	9-01
13247-05010	6-01	21231-25040	9-02
13249-05010	6-02	21241-25301	9-03
13251-01011	6-04	21411-22200	9-08

30000

13252-02010	6-05	21441-12000	9-12	32100-43012	13-01
13254-01010	6-06	21451-23000	9-13	32101-43012	13-02
13265-05110	6-07	21460-23000	9-14	32102-43012	13-14
13267-05010	6-08	23111-03001	9-07	32120-43012	13-03
13268-01010	6-09	23121-03010	9-15	32140-43012	13-04
13268-05010	6-11	23200-05030	9-18	32240-43012	13-07
13269-01010	6-10	23222-07000	9-22	32341-43012	13-11
13296-05010	6-12	24121-05100	10-01	32800-19063	18-08
13370-35620	6-13	24131-05100	10-16	33410-19011	13-20
13383-01010	6-14	24221-05101	10-04	33510-22610	1-06

Part No.	Page-Ref.No.	Part No.	Page-Ref.No.	Part No.	Page-Ref.No.
40000					
33542-98000	1-07	41100-21201-019	20-01	51147-31030	24-08
33610-03010	18-02	41540-05100	18-04		25-06
34100-22620	14-01	42100-22200	21-01	51148-31030	24-07
34170-26600	14-02	42211-03001	21-02		25-05
34910-22210	14-13	42221-03001	21-03	51153-46100	24-03
34910-24912	14-12	42231-09000	21-04	51153-46100	25-09
34950-26001	14-05	42251-03002	21-05	51156-46100	24-04
34955-20000	14-07	42310-35700	21-08		25-10
35100-22630	15-01	43110-22001	21-17	51169-46100	24-16
35111-27221	15-02	43300-25000	21-21		25-16
35123-22630	15-05	43510-22000	21-12	51171-23640	24-12
35124-25324	15-03	43551-03000	21-16		25-12
35125-27222	15-04	43600-03001	21-28	51172-46100	24-15
35128-27221	15-09	44110-22680-00U	22-01-1		25-15
35171-22630	15-06	44110-22680-05H	22-01-2	51176-46100	24-14
35603-46210	16-01	44210-23300	22-05	51176-46100	25-14
35612-46210	16-02	44300-22571	22-13	51177-46100	24-09
35613-06111	16-03	44300-28817	22-14		25-07
35623-35110	17-04	44341-28070	22-17	51181-22011	24-17
35627-43010	17-05	44344-28070	22-15		25-17
35710-22650-999	17-01	44346-28070	22-16	51192-46100	24-13
35712-46620	17-02	44610-21000-00U	23-01-1		25-13
35713-46620	17-03	44610-21000-05H	23-01-2	51196-46100	24-10
36116-22630	15-08	44640-11843	23-07		25-08
36118-25620	15-07	44651-11040	23-02	51310-23640-291	24-26
36510-22600	19-06	44661-11000	23-03	51310-23640-291	25-26
36610-22601	18-01	44720-11030	23-04	51352-46100	24-28
36740-15010	18-13	44733-11030	23-05		25-28
36851-46200	16-11	45100-22631-865	20-02	51357-22030	24-27
36852-22610	19-08	46310-22602	34-09		25-27
36852-22620	18-12	47130-01002	20-07	51410-23640	24-18
36862-27690	18-07	47211-21001-00U	20-06-1		25-18
37110-22620	19-01	47211-21001-05H	20-06-2	51452-08030	24-20
37145-19710	35-04				25-20
37711-05101	11-23			51452-46100	25-32
37712-01000	11-22			51530-23670-291	24-24
37721-05100	11-21				25-24
37740-19051	19-03			51540-23670-291	24-25
38500-23031	19-09				25-25
38610-12110	16-07			51542-05130	24-32
50000					
		51100-23670-291	25-0	51553-46100	24-23
		51100-23700-291	24-0		25-23
		51110-23640	24-05	51571-46100	24-11
			25-03		25-11
		51131-23640	25-01	51611-20002	29-26
		51131-23680	24-01	51621-25000	29-27
		51141-23640	25-02	51622-20001	24-19
		51141-23680	24-02		25-19
		51146-23640	24-06	51631-05000	29-29
			25-04	51643-06001	29-30

Part No.	Page-Ref.No.	Part No.	Page-Ref.No.	Part No.	Page-Ref.No.
51810-27200-291	15-12	57370-01311	30-23	62311-19600	32-14
51817-06301	15-16	57382-01311	30-24	63110-22609	26-05
51910-25310	29-31	57421-27210	30-11	63310-12701	34-06
53110-22610	26-02	57431-01011	30-12	64110-46100	33-01
53110-22700	26-01		30-27	64210-46001	33-02
53311-40000	34-01	57435-20010	30-13	64311-01001	32-20
53321-09100	34-02		30-28	64451-46100	33-06
54110-46001	27-01	57500-21012	30-16	64511-01799	33-21-1
54111-46100	28-01	57621-27210	30-26	64511-01970	33-21-2
54210-46101	27-02	58100-03731	29-04	64711-43000	33-12
54410-43000	27-03	58100-07721	29-05	64750-22600	33-18
	33-03	58100-22600	29-06	65100-01011	33-28
54441-29300	27-05	58100-22610	29-07	65301-01817	33-32
	33-05	58200-05710	29-13	68101-22820-61P	22-02-1
54451-46110	27-07	58200-07001	29-12	68101-22820-61R	22-02-2
54600-46100	28-09	58300-22600	29-16	68111-34000	22-03
54611-03001	27-12	58300-22630	29-17	68131-46100	20-09
54621-03000	27-13	58410-01751	29-22	68171-26000	23-14
54632-01001	27-14	58631-07010	30-02	68233-31000	3-20
54661-03000	27-16	58721-25611	30-31	68233-34000	4-02
54711-26100	27-20	58722-03010	30-32		
	28-04	58723-03010	30-33		
54740-26100	27-24	59111-18410	31-09		
54750-46100	28-05	59112-18410	31-10		
55100-01011	27-30	59150-46100	31-04		
55100-01011	28-15	59211-46100	28-10		
55200-01011	27-31	59300-46100	31-01		
	28-16	59300-46810	31-11		
	33-29	59305-46100	31-07		
55261-01010	27-32	59306-46100	31-08	80000	
55261-01010	28-17	59308-46100	31-05	85413-70000	22-06
	33-30	59309-46100	31-06		
55300-46810	28-13	59360-46100	31-02		
55301-01812	27-34	59371-46100	31-03		
55311-01020	27-33	59372-46100	31-15		
55311-01020	33-31	59373-46100	31-16		
55311-22600	28-14	59381-46100	31-14		
56111-20001	29-01				
56111-20712	29-02				
56211-27130-291	24-29			90000	
56211-27130-291	25-29			90001-31817	29-34
56500-19010	29-03			99000-10105-019	35-09-1
57110-20010	30-01			99000-10105-291	35-09-3
57211-20010	30-03			99000-10109-019	35-10-1
57300-20713	30-04			99000-10109-291	35-10-3
		60000			
57320-01011	30-05	61100-22880-019	32-01	99000-10205-00U	35-09-4
	30-17	61211-20001	32-03	99000-10205-05H	35-09-5
57334-01010	30-06	61310-22610	32-08	99000-10205-126	35-09-2
	30-21	61411-01002	33-24	99000-10209-00U	35-10-4
57337-01010	30-22	62100-22610	32-13	99000-10209-05H	35-10-5

Part No.	Page-Ref.No.	Part No.	Page-Ref.No.	Part No.	Page-Ref.No.
99000-10209-126	35-10-2	02112-05168	23-10	06211-03052	5-20
99000-21021	35-08-2	02112-05208	18-10	08113-62000	27-28
99000-21145	35-08-1	02112-05308	8-08	08113-63030	10-25
99000-21150	35-08-3	02112-05408	3-09	08123-63000	28-02
99000-21250	35-08-4	02112-06088	19-02	08123-63010	33-20
99000-21260	35-08-5	02112-06108	8-19	08143-63000	27-27
99000-25030	35-05		10-15	08143-63010	33-19
99000-32040	35-07		31-12	08211-12261	10-10
99000-33020	35-06	02112-06128	24-34	08211-12302	12-12
			25-35	08211-17282	9-09
		02112-06258	3-18	08211-17282	10-08
			7-09	08211-17301	9-06
		02112-06307	2-08	08310-11058	14-08
			3-17		18-09
		02112-06358	2-07		30-15
OOOO		02112-06358	3-08	08310-11058	30-30
01104-05108	34-07		3-24	08310-11068	1-03
01104-08128	14-10	02112-06408	2-06		11-17
	19-10		3-07		16-10
01107-06108	17-08		3-16		17-09
	23-11				
01107-06108	26-03	02112-06458	2-05	08310-11068	27-09
	29-20		3-06		33-10
01107-06128	16-08		3-23		33-27
	26-06	02112-06508	3-05		34-13
	30-35	02112-06557	3-15	08310-12088	2-11
01107-06128	34-10	02112-06657	2-04	08310-12088	7-11
01107-06168	22-10	02112-06708	3-04		8-17
01107-06208	11-36	02112-15128	13-21	08310-12108	32-04
	12-17	02112-74128	15-20	08310-21048	34-05
01107-06308	11-19	02112-74208	11-27	08310-21068	20-08
01107-08168	21-15	02122-05128	9-23	08310-22068	9-20
01107-08258	20-03	02122-06128	11-24	08310-22108	21-10
01107-08558	24-31	02122-06168	5-26	08312-11088	29-14
	25-31		11-12	08313-11068	4-13
01107-10308	24-22	02132-05128	3-21	08313-11108	32-16
01107-10308	25-22	03111-04208	4-18	08314-31108	27-22
01124-05088	19-07		4-20		28-07
01127-06608	16-06-1	03211-03168	16-04	08314-31128	33-14
01204-08307	15-13	04111-12108	6-29	08321-21038	30-08
02111-04188	6-03	04111-20208	21-27		30-20
02112-03048	11-25	04111-20308	27-23	08321-21048	13-06
02112-04108	13-08		28-08		13-10
	13-12	04111-25208	11-05		13-13
	34-03	04111-30308	21-20	08321-21058	8-09
02112-04258	13-05		33-15		29-33
02112-05068	7-04	04211-09129	2-03	08321-21058	30-14
02112-05128	29-32		3-03		30-29
02112-05168	4-04		5-23		34-08
	4-06	05022-05189	9-04	08321-21068	11-20
	8-07	06111-06003	29-28		18-06

Part No.	Page-Ref.No.	Part No.	Page-Ref.No.	Part No.	Page-Ref.No.
08321-21068	23-12	08322-21088	21-13	09160-14001	27-11
	24-33		31-18		33-07
	25-34	08322-21108	13-17	09160-14005	12-13
	26-04		32-06	09160-15002	21-19
	26-08		32-17	09160-16005	27-17
08321-21068	29-21	08331-11149	12-04	09160-16011	5-08
	30-34	08331-31159	27-19	09166-14008	5-31
	31-13	08341-31039	5-32	09167-16001	10-30
	33-26	09100-06005	32-09	09167-17002	9-11
	34-12	09100-06038	16-06-2	09167-17003	10-21
08321-21088	2-14	09100-06051	32-10	09168-05001	23-09
	7-10	09100-06078	27-10	09168-06001	3-11
	15-14		33-11	09168-06002	8-04
	20-04	09100-08094	28-11		8-14
	21-14	09100-08140	33-22	09168-06010	22-19
08321-21088	24-30	09100-10007	21-09	09168-10002	2-17
	25-30	09100-10046	32-19	09169-08011	33-23
	32-25	09103-08023	2-10	09169-08019	28-12
08321-21108	11-32	09103-08024	2-09	09180-06002	22-09
	13-18	09104-08014	31-17	09180-06004	11-04
08321-21108	24-21	09108-06026	1-10	09180-06021	11-14
	25-21	09111-06004	11-10	09180-06022	11-16
	32-05	09111-08013	32-23	09180-08001	15-19
08321-31088	2-15	09119-08014	8-16	09180-10005	27-25
	31-19	09125-03103	30-09		28-03
08322-11088	2-12	09125-03103	30-18	09180-12005	33-16
	14-11	09125-05105	30-10	09180-12078	33-17
	15-15		30-25	09180-17008	10-27
08322-11108	27-21	09127-03002	22-04	09180-17025	9-05
	28-06	09128-06004	3-10	09180-20006	5-29
08322-21038	11-26	09128-06004	18-05	09180-20017	5-15
	30-07	09128-06006	22-18	09209-05012	12-07
	30-19	09134-03101	27-18	09209-10001	29-09
08322-21048	13-09	09134-06001	9-19	09209-10002	11-03
	34-04	09139-05011	13-19	09209-11002	21-24
08322-21058	18-11	09139-06002	12-10	09247-10001	2-16
	21-26	09140-08008	32-24	09250-07001	26-09
08322-21068	1-04	09140-10003	13-16	09250-12002	2-18
	4-14	09140-10012	32-15	09250-14002	4-08
	16-09	09140-14002	5-30	09250-20003	8-15
08322-21068	21-22	09140-16001	9-10	09250-22002	32-12
	25-33	09140-16002	10-31	09250-25001	9-24
	26-07	09150-05101	29-08	09259-20003	3-12
	27-08	09150-06001	21-25	09261-02001	9-17
	32-11	09160-05001	27-15	09261-04002	11-09
08322-21068	33-09	09160-05006	14-06	09262-17012	10-13
	33-25	09160-06004	22-11	09262-20015	5-17
	34-11	09160-10005	32-18	09263-12003	5-05
08322-21088	2-13	09160-12012	33-13	09263-16014	5-10
	20-05	09160-12015	10-18	09269-20006	5-14

Part No.	Page-Ref.No.	Part No.	Page-Ref.No.	Part No.	Page-Ref.No.
09280-00002	5-22	09408-00014	29-25		
09280-14003	27-06	09440-04010	12-08		
	33-08	09440-06003	29-11		
09280-17001	10-28	09440-09004	21-23		
09280-23001	23-08	09440-18002	32-21		
09283-20011	5-16	09443-06019	19-04		
09283-21001	10-26	09443-07001	27-04		
09283-25009	5-28		33-04		
09284-15001	27-26	09443-07013	11-29		
09285-05004	10-12	09443-08001	9-21		
09285-12002	11-33	09443-08005	11-18		
09285-14001	12-11	09443-12003	9-16		
09285-43001	27-29	09443-14005	21-11		
09287-07001	29-10	09443-16002	21-06		
09287-07002	29-15	09444-26008	11-30		
09287-07002	29-18	09448-31010	21-18		
09300-12008	10-11	09448-38002	12-05		
	10-32	09462-00007	18-03		
09308-05005	17-07	09471-06001	14-04		
09308-12001	19-05	09471-06002	14-03		
09309-08002	8-11	09471-06002	15-11		
09309-09003	13-15	09471-06021	16-05		
09319-10009	32-02	09471-06028	15-10		
09320-08004	14-09	09471-06034	17-06		
09320-09002	22-08	09481-15001	18-14		
09320-12014	15-18	09482-00057	1-05-1		
09320-22001	32-07	09482-00058	1-05-2		
09321-05006	22-12	09491-72009	6-26		
09321-10001	21-07	09492-25003	6-27		
09329-10005	22-07	09494-00038	6-28		
09329-12002	15-17	09800-00108	19-11		
09343-05021	22-20	09821-00004	35-01		
09344-05001	23-13	09825-00002	35-02		
09360-06003	8-03	09826-00001	35-03		
	8-13				
09361-14001	23-06				
09380-17001	10-03				
	10-23				
09380-26001	10-07				
09381-12001	5-04				
09384-06001	32-22				
09385-10001	32-26				
09399-14001	10-06				
09401-08402	22-21				
09402-36701	7-08				
09402-46306	4-17				
09402-48303	4-19				
09403-09304	29-19				
09407-06401	29-23				
09408-00002	29-24				



SUZUKI MOTOR CO., LTD.

Head Office : Hamamatsu - Nishi, P.O.Box 1,
432-91 Hamamatsu, Japan

SUZUKI A50KB/A50KDB PARTS CATALOGUE

1st Edition
Printed in Jun., 1977
Published in Jun., 1977
Editor : SUZUKI MOTOR Co., LTD.
Export parts section

Reprint Prohibited



SUZUKI MOTOR CO.,LTD.

99000-93430

TY

Printed in Japan