

# SUZUKI

## PARTS CATALOGUE

**SUZUKI**

**A50P** (M·B·DB)

(E2·E4·E22&E25)

持ち出し禁止

PARTS CATALOGUE

MASTER( )

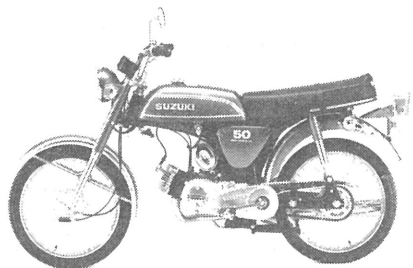
品質管理部技術資料課



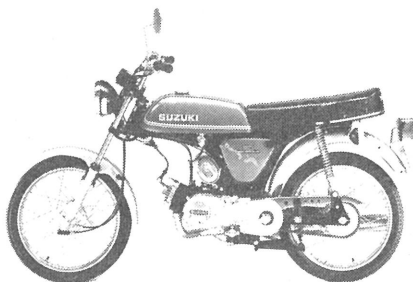




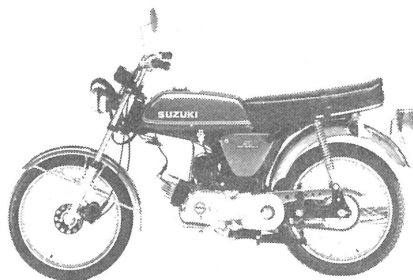
## **SUZUKI A50PM**



## **SUZUKI A50PB**



## **SUZUKI A50PDB**





## P R E F A C E

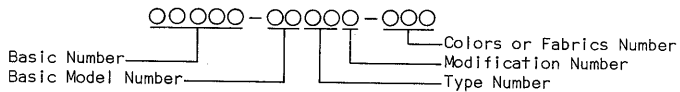
When it becomes necessary to replace parts on SUZUKI MOTORCYCLES, always use SUZUKI GENUINE PARTS which have passed a strict inspection which guarantees quality and performance.

This parts catalogue covers the list of all service parts for SUZUKI A50PM A50PB and A50PDB.

### A. INSTRUCTIONS FOR QUOTING THE CATALOGUE

#### 1. COMPOSITION OF THE PART NUMBER

##### 1-1. REGULAR PARTS

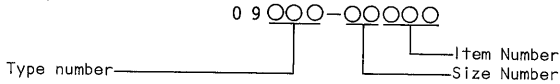


##### 1-2. STANDARD PARTS

Numbers of all standard parts begin with 0 except beginning with 09 or 000.

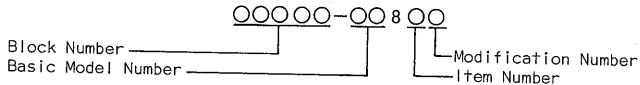
##### 1-3. SPECIAL STANDARD PARTS

Special standard parts are parts which are similar to standard parts but differ in some respect. All special standard parts numbers begin with 09 except 099.



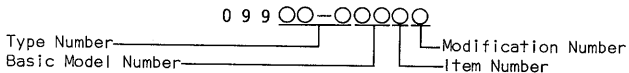
##### 1-4. PARTS ASSEMBLIES

The eight digit of numbers of parts assemblies is always 8.



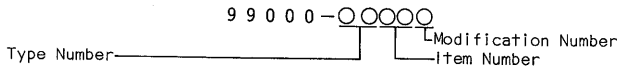
##### 1-5. SPECIAL TOOLS

Part Numbers begin with 099.



##### 1-6. MISCELLANEOUS

Part numbers begin with 99000.



## 2. DIMENSIONS

Dimensions of the parts in this catalogue are indicated in unit millimeters.

## 3. ABBREVIATIONS

Abbreviations used in this catalogue are as follows:

AR	: As required	L	: Length
ASSY	: Assembly	NT	: Number of teeth
F.No.	: Frame Number	OPT	: Optional
d	: Diameter of material	OS	: Over size
ID	: Inside diameter	STD	: Standard
OD	: Outside diameter	T	: Thickness
LH	: Left hand side	W	: Width
RH	: Right hand side		

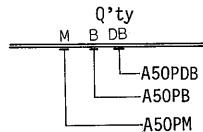
~12345 : Up to F.No. A50-12345

12345~ : From F.No. A50-12345

Figures in the remarks column show the dimensions of parts as follows:

$$\frac{12}{ID} \times \frac{34}{OD} \times \frac{5.6}{T(\text{or } W, L)}$$

The number of letter shown below Q'ty indicate the MODELS NAME as shown right side.



## 4. INNER PARTS OF ASSEMBLY

Parts number that have a period (.) mark before the parts name will be indicated the inner part in relation to the assembly.

## 5. MODIFICATION NOTICE

A parts bulletin will be sent to you on all occasions when changes in parts occur, including interchangeable modifications between new parts and old ones.



6. COLOR CHART

COLOR No.	COLOR NAME	MUNSELL COLOR No.	M	B	DB
019	BLACK	N1	○	○	○
00U	CANDY ROSE		○	○	○
02L	DEEP RED (TAPE)		○		
03R	CERULEAN BLUE (TAPE)			○	○
05H	CANDY FLORIDA BLUE			○	○
126	PEARL METALLIC		○	○	
189	EGRET WHITE		○	○	○
291	BLACK SEMI - GLOSS	(N1)		○	○
61K	764+02L (COMBINATION)		○		
61P	764+03R (COMBINATION)			○	○
61R	764+719 (COMBINATION)			○	○
676	019+126 (COMBINATION)		○		
719	ORANGE (TAPE)			○	○
764	GOLD (TAPE)		○	○	○
797	MAUI BLUE METALLIC		○		
974	189+126 (COMBINATION)			○	
865	BLACK (FOR SEAT)		○	○	○

MILLIMETER → INCH CONVERSION CHART

	0	1	2	3	4	5	6	7	8	9
00	.000	.039	.079	.118	.157	.197	.236	.276	.315	.354
10	.394	.433	.472	.512	.551	.591	.630	.669	.709	.748
20	.787	.827	.866	.906	.945	.984	1.024	1.063	1.102	1.142
30	1.181	1.220	1.260	1.299	1.339	1.378	1.417	1.457	1.496	1.535
40	1.575	1.614	1.654	1.693	1.732	1.772	1.811	1.850	1.890	1.929
50	1.969	2.008	2.047	2.087	2.126	2.165	2.205	2.214	2.283	2.323
60	2.362	2.402	2.441	2.480	2.520	2.559	2.598	2.638	2.677	2.717
70	2.756	2.795	2.835	2.874	2.913	2.953	2.992	3.031	3.071	3.110
80	3.150	3.189	3.228	3.268	3.307	3.346	3.386	3.425	3.465	3.504
90	3.543	3.583	3.622	3.661	3.701	3.740	3.780	3.819	3.858	3.898

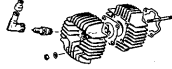
How to read

	0	1	2	3	4
00	---	---	---	---	---
10	---	---	---	---	---
20	---	---	---	0.906	---
30	---	---	---	---	---

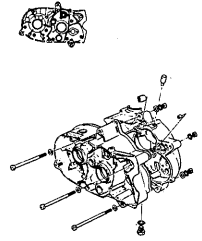
— 23 millimeters equal 0.906 inch

Contents are subject to change without notice or obligation.

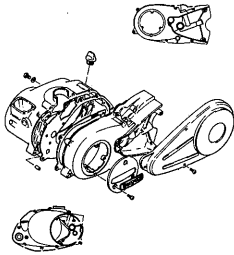
**A50PM**  
**A50PB**  
**A50PDB**



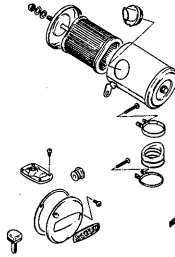
①



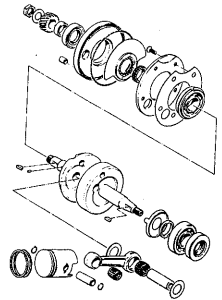
②



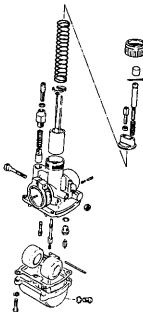
③



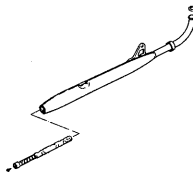
④



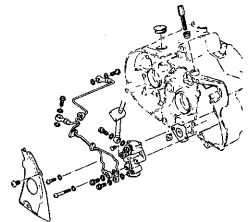
⑤



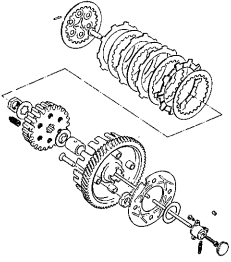
⑥



⑦



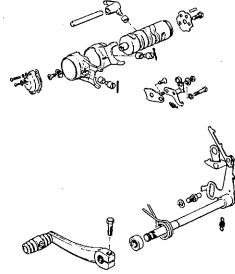
⑧



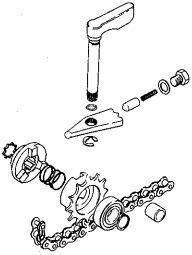
9



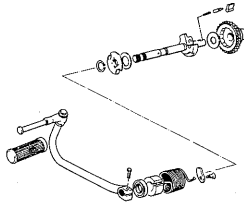
10



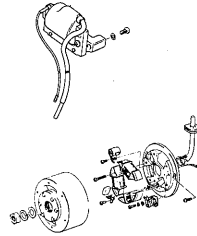
11



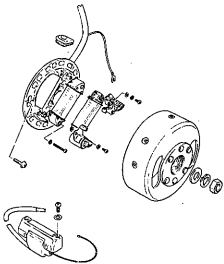
12



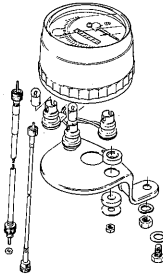
13



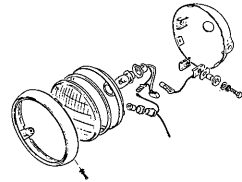
14



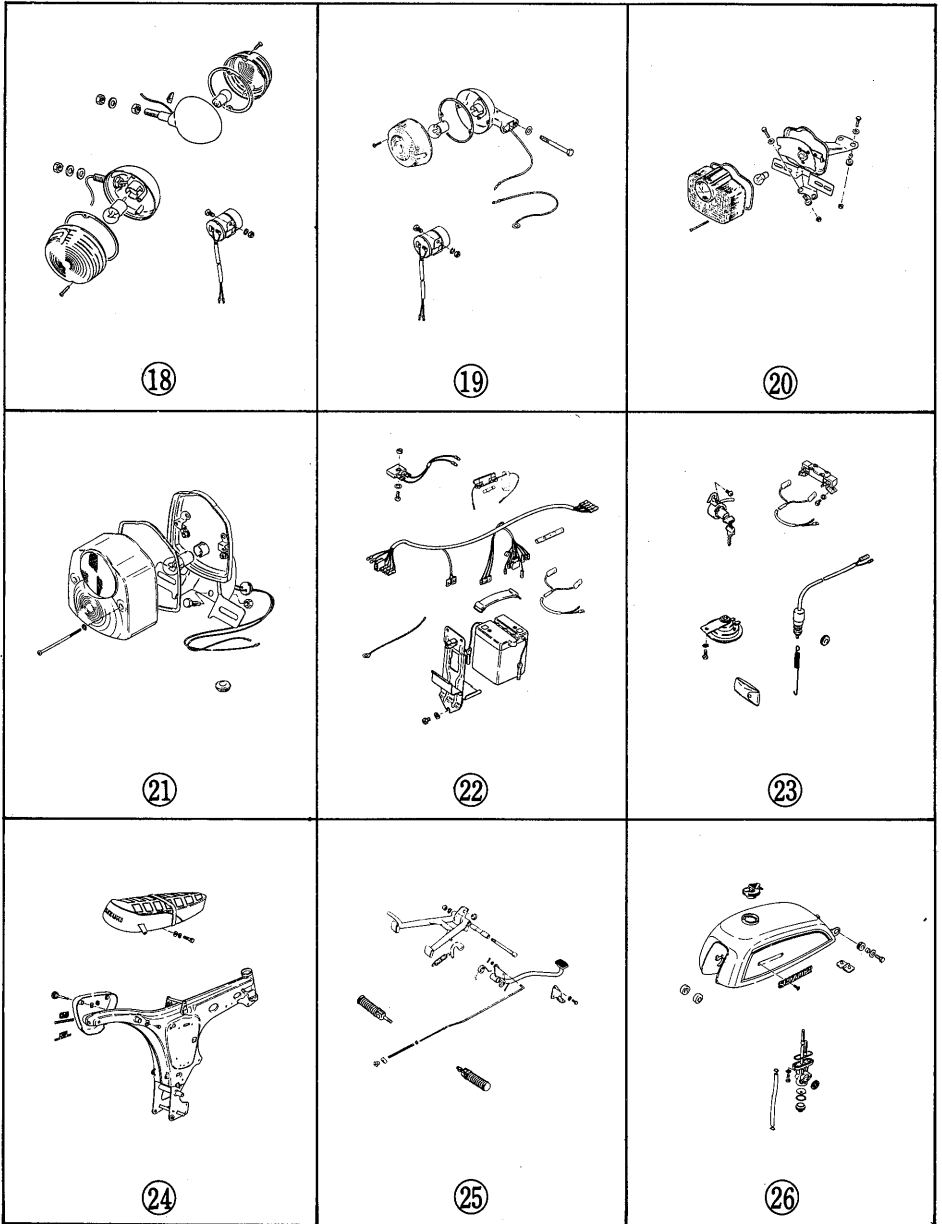
15

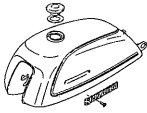


16

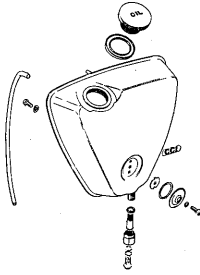


17

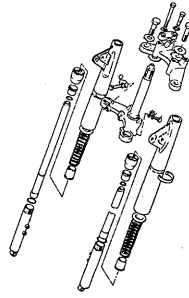




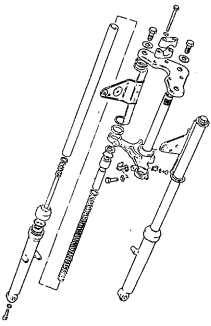
27



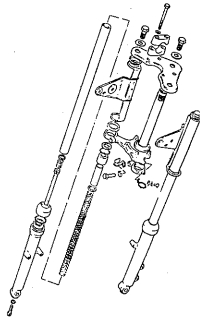
28



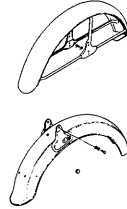
29



30



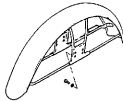
31



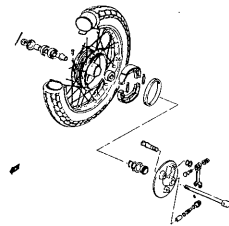
32



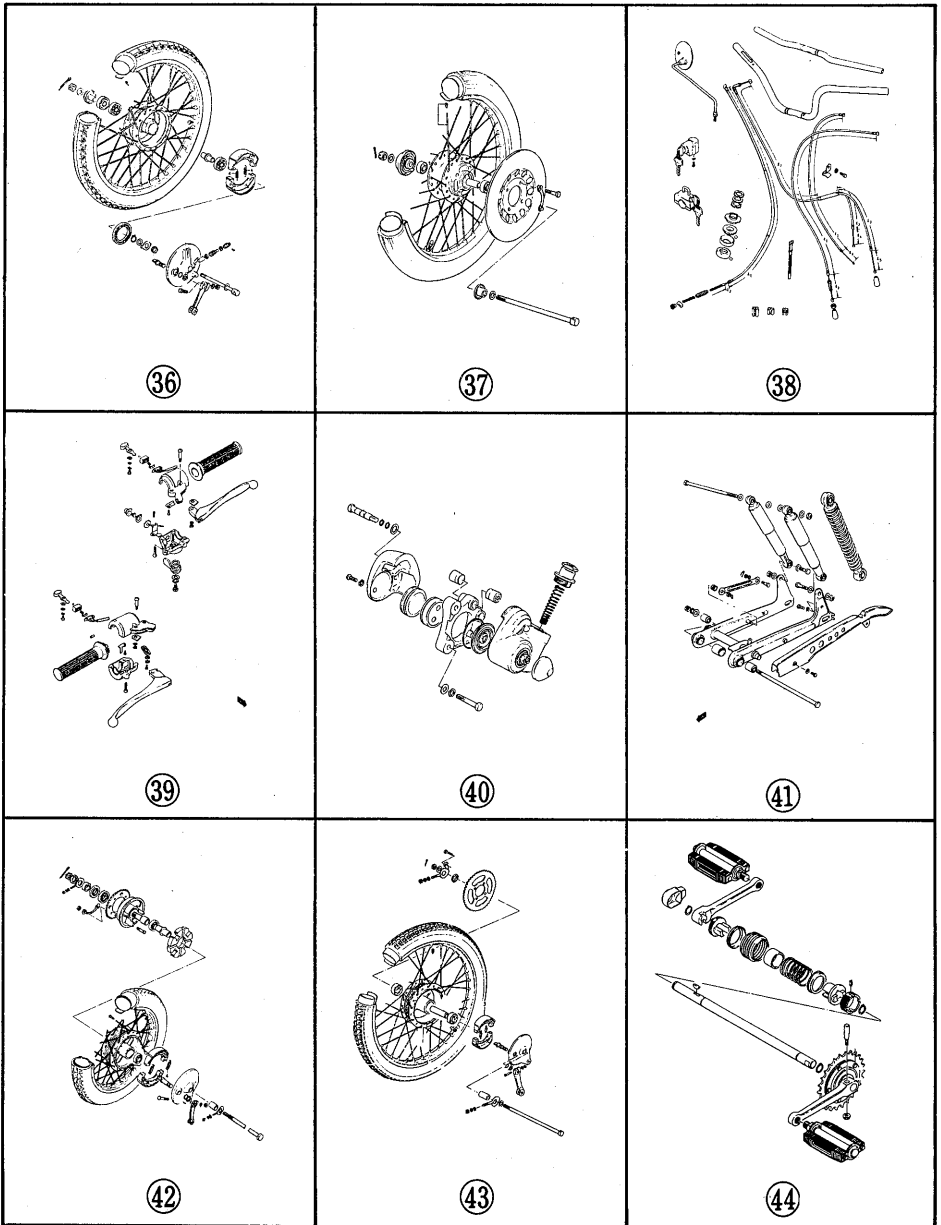
33

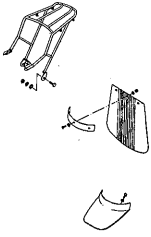


34

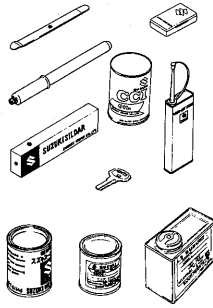


35



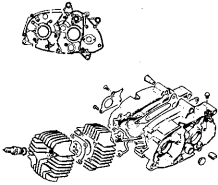


45

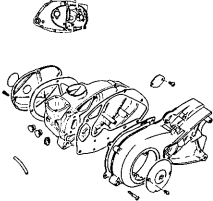


46

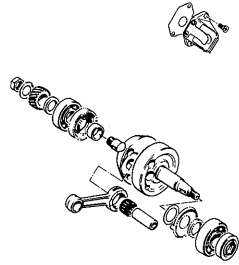
# A50P for E4



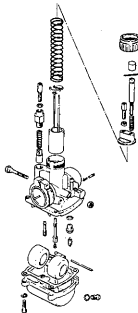
1



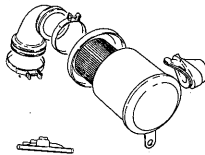
2



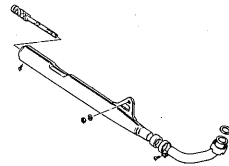
3



4

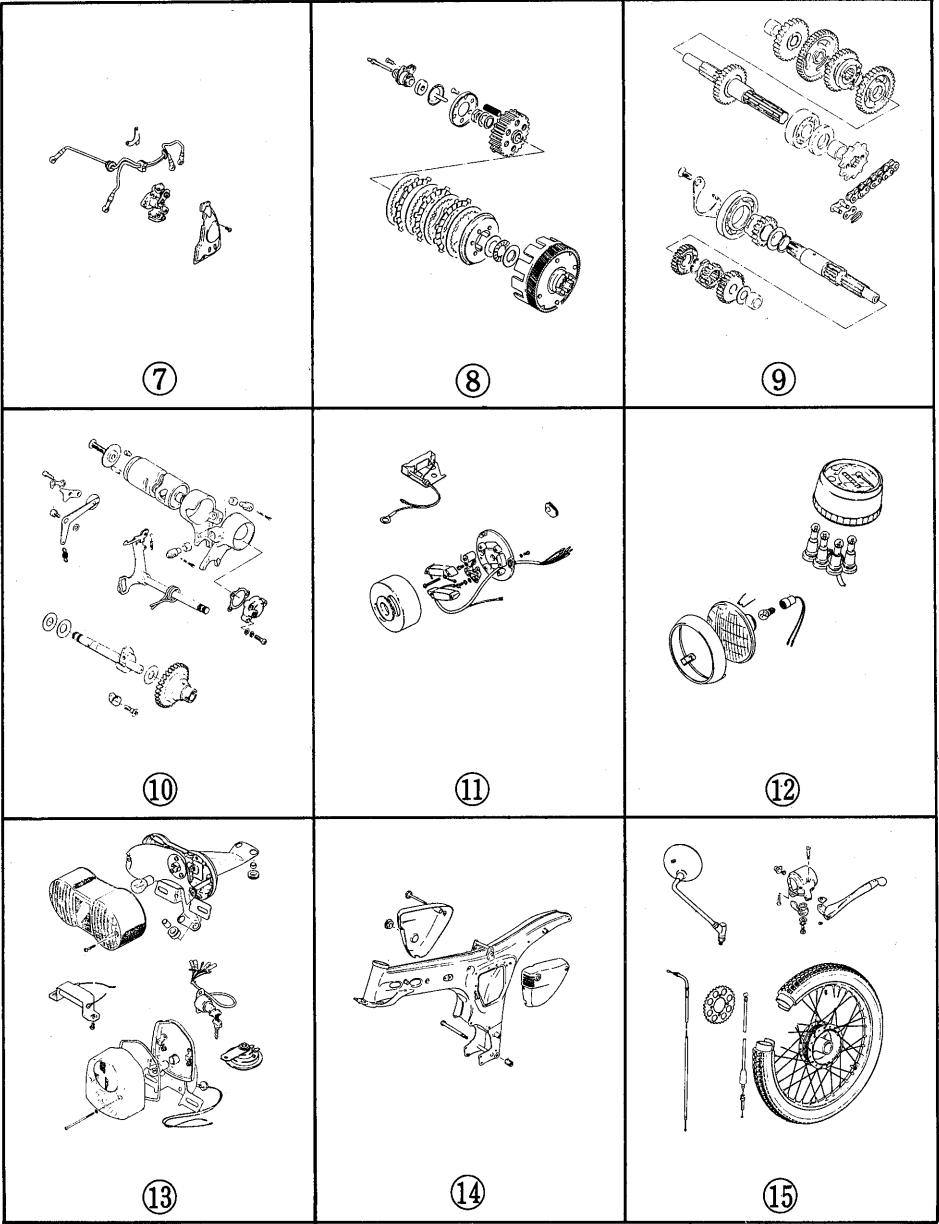


5

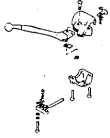


6

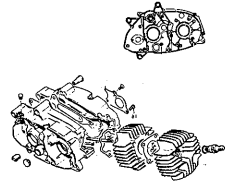




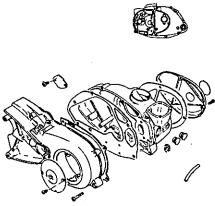
**A50P  
for  
E22**



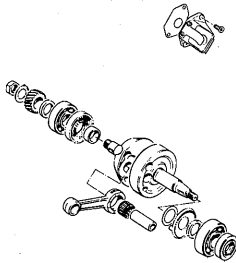
16



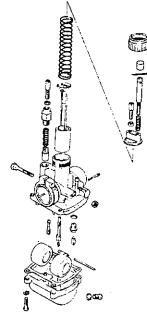
17



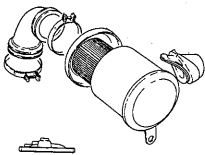
18



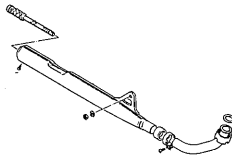
19



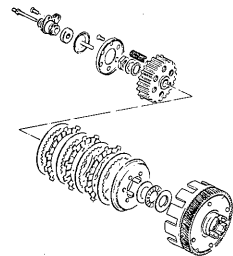
20



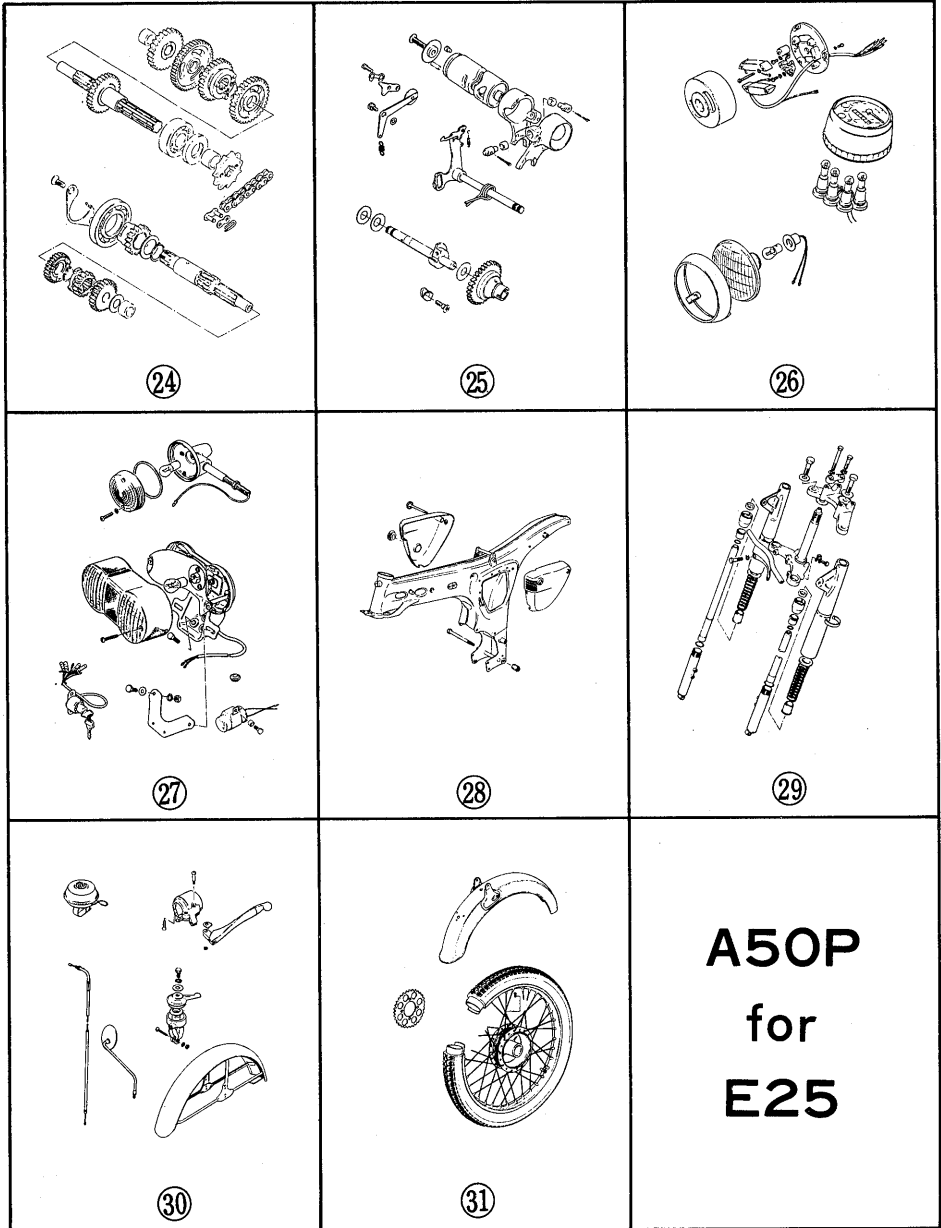
21

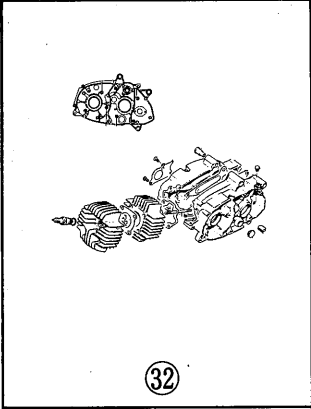


22

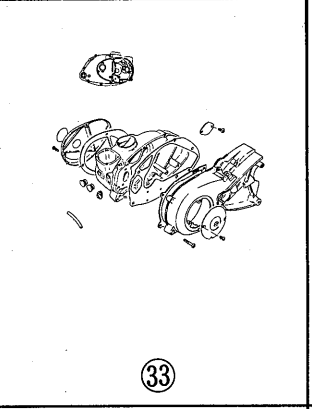


23

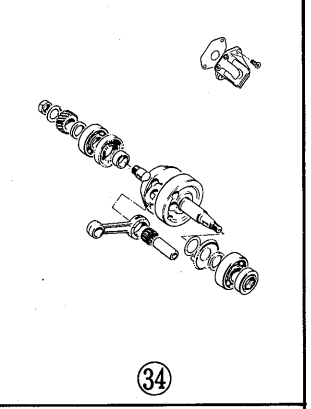




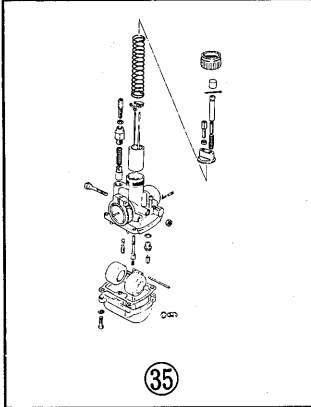
32



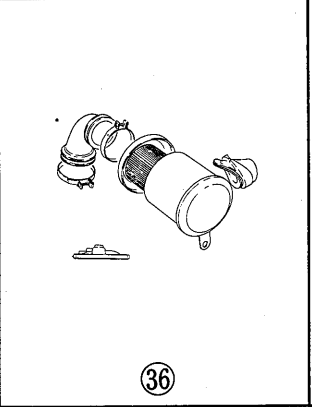
33



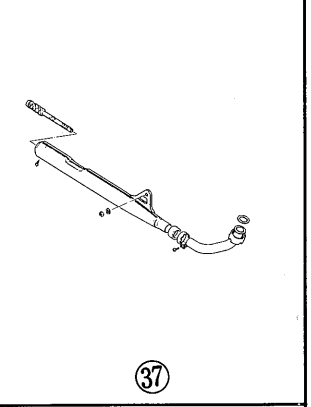
34



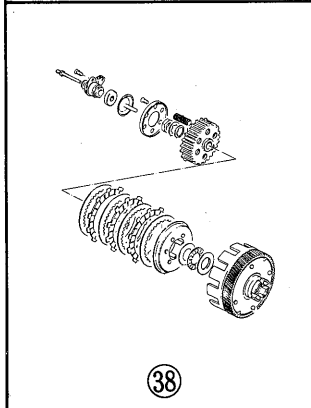
35



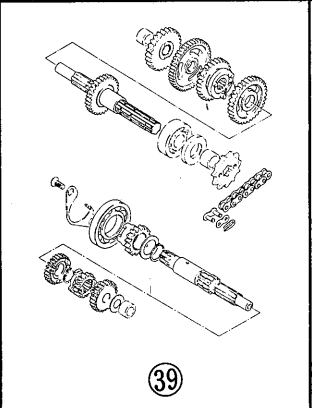
36



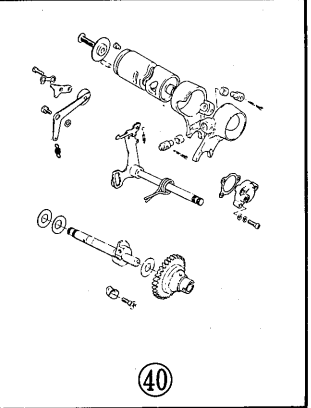
37



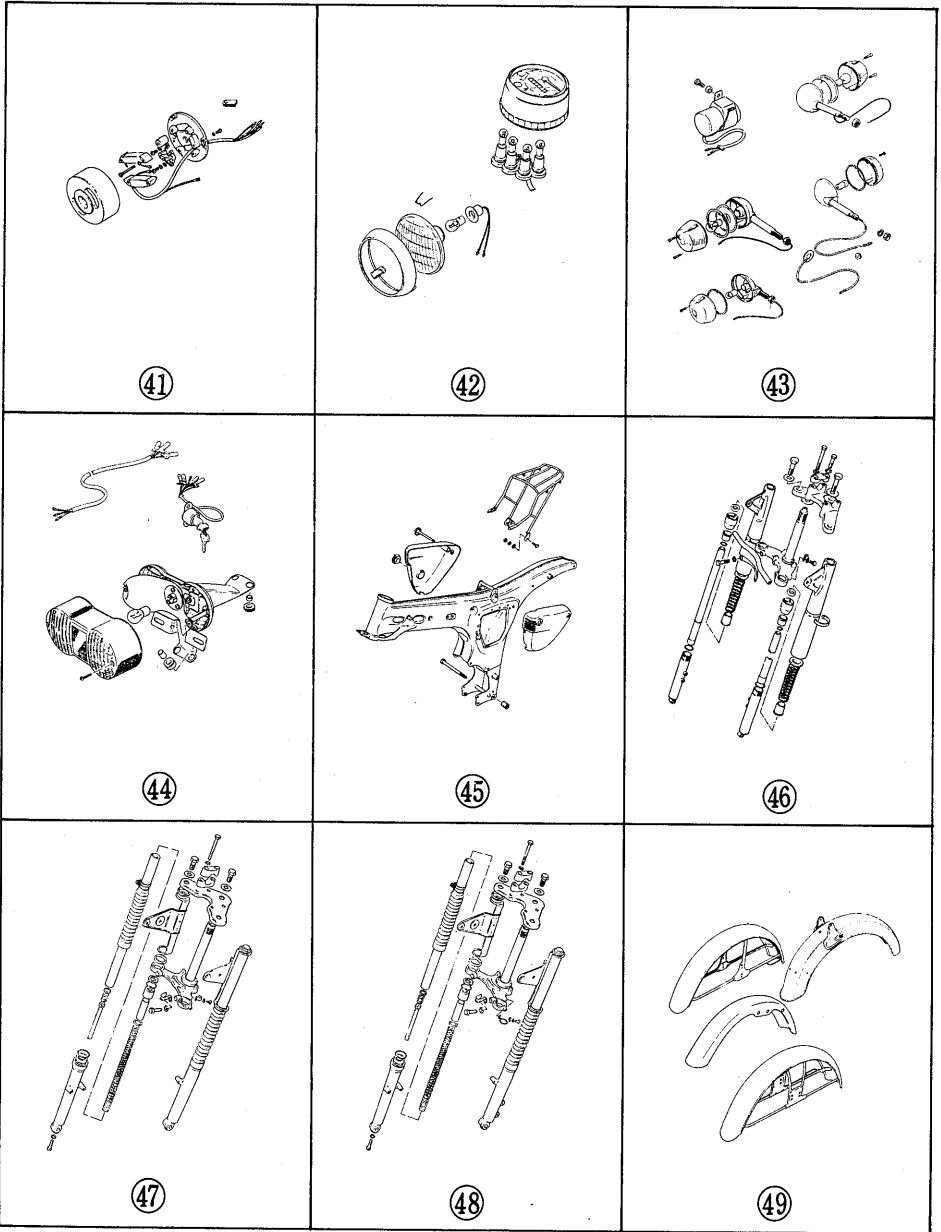
38



39



40



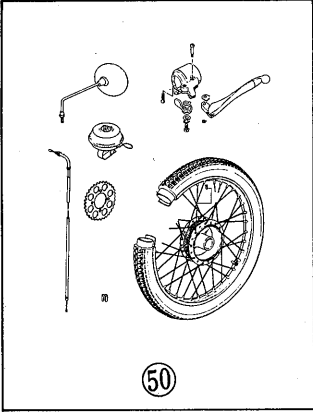




FIG.1 CYLINDER

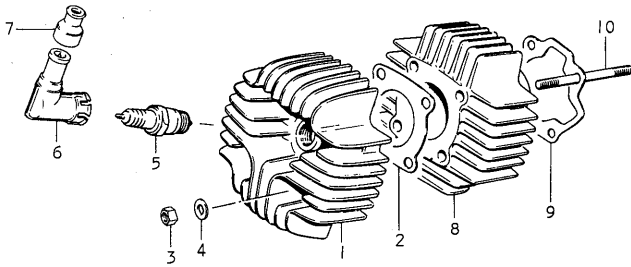




FIG.1 CYLINDER

Ref.No.	Part No.	Description	Q'ty			Remarks
			M	B	DB	
1	11111-26000	CYLINDER HEAD	1	1	1	
2	11141-14000	GASKET, cylinder head	1	1	1	
3	08310-11068	NUT	4	4	4	
4	08322-21068	WASHER	4	4	4	
5-1	09482-00057	SPARK PLUG	1	1	1	NGK, B-8HS
5-2	09482-00058	SPARK PLUG	1	1	1	ND, W24FS
6	33510-22610	CAP SET, spark plug	1	1	1	
7	33542-98000	SEAL, high tension cord	1	1	1	
8	11211-26000	CYLINDER	1	1	1	
9	11241-19300	GASKET, cylinder	1	1	1	
10	09108-06026	BOLT, stud	4	4	4	

FIG.2 CRANKCASE

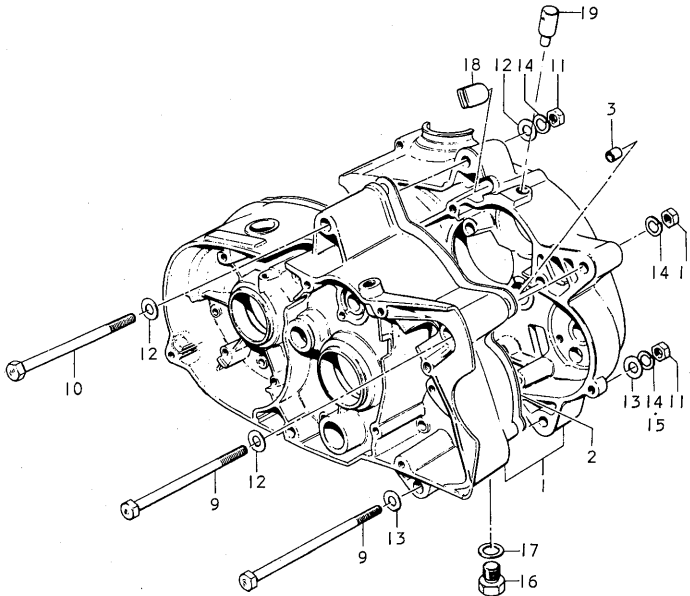
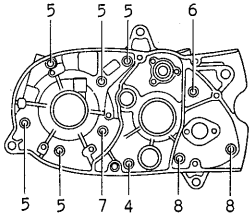


FIG.2 CRANKCASE

Ref.No.	Part No.	Description	Q'ty			Remarks
			M	B	DB	
1	11300-26832	CRANKCASE SET	1	1	1	
2	11481-05000	*GASKET, crankcase	1	1	1	
3	04211-09129	*DOWEL PIN	2	2	2	
4	02112-06657	*SCREW	1	1	1	
5	02112-06458	*SCREW	5	5	5	
6	02112-06408	*SCREW	1	1	1	
7	02112-06358	*SCREW	1	1	1	
8	02112-06307	*SCREW	2	2	2	
9	09100-08026	BOLT, engine mounting	2	2	2	8x110
10	09100-08024	BOLT, engine mounting	1	1	1	
11	08310-12088	NUT	3	3	3	
12	08322-11088	WASHER	4	4	4	
13	08322-21088	WASHER	2	2	2	
14	08321-21088	LOCK WASHER	3	2	2	
15	08321-31088	LOCK WASHER	-	1	1	
16	09247-10001	PLUG, drain	1	1	1	
17	09168-10002	GASKET, drain	1	1	1	
18	09250-12002	GROMMET, air vent pipe	1	1	1	
19	24821-09000	PLUG, breather	1	1	1	

FIG.3 CRANKCASE COVER

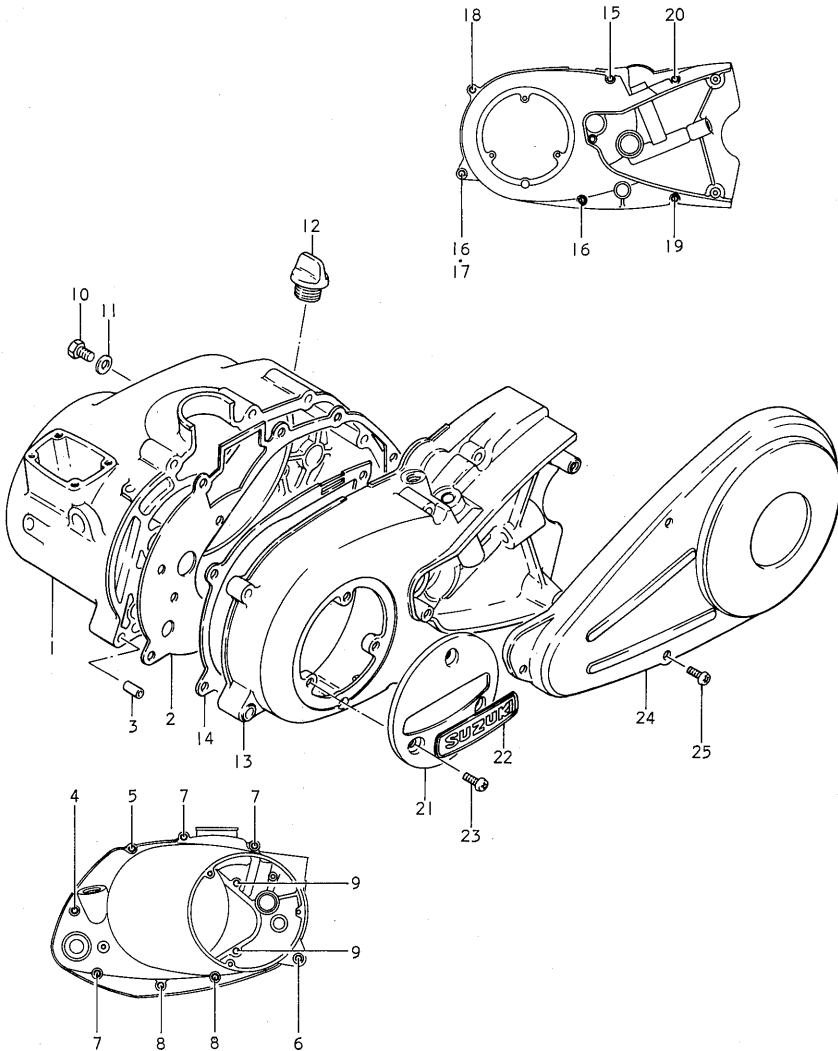


FIG.3 CRANKCASE COVER

Ref.No.	Part No.	Description	Q'ty			Remarks
			M	B	DB	
1	11300-22851	COVER, crankcase RH	1	1	1	
2	11482-05000	GASKET, RH cover	1	1	1	
3	04211-09129	DOWEL PIN	2	2	2	
4	02112-06708	SCREW	1	1	1	
5	02112-06508	SCREW	1	1	1	
6	02112-06458	SCREW	1	1	1	
7	02112-06408	SCREW	3	3	3	
8	02112-06358	SCREW	2	2	2	
9	02112-05408	SCREW	2	2	2	
10	09128-06004	SCREW, level	1	1	1	
11	09168-06001	GASKET, oil level	1	1	1	6.2x11x1
12	09259-20003	PLUG, oil filler	1	1	1	
13	11351-22610	COVER, crankcase LH	1	1	1	
14	11483-26000	GASKET, LH cover	1	1	1	
15	02112-06557	SCREW	1	1	1	
16	02112-06408	SCREW	2	1	1	
17	02112-06307	SCREW	-	1	1	
18	02112-06258	SCREW	1	1	1	
19	02112-06458	SCREW	1	1	1	
20	02112-06358	SCREW	1	1	1	
21	11380-05841	CAP SET, flywheel magneto	1	1	1	
22	68233-31000	EMBLEM	1	1	1	
23	02132-05128	SCREW	3	3	3	
24	11366-22600	COVER, cycle chain	1	1	1	
25	02112-05128	SCREW	3	3	3	

FIG.4 CARBURETOR COVER - AIR CLEANER

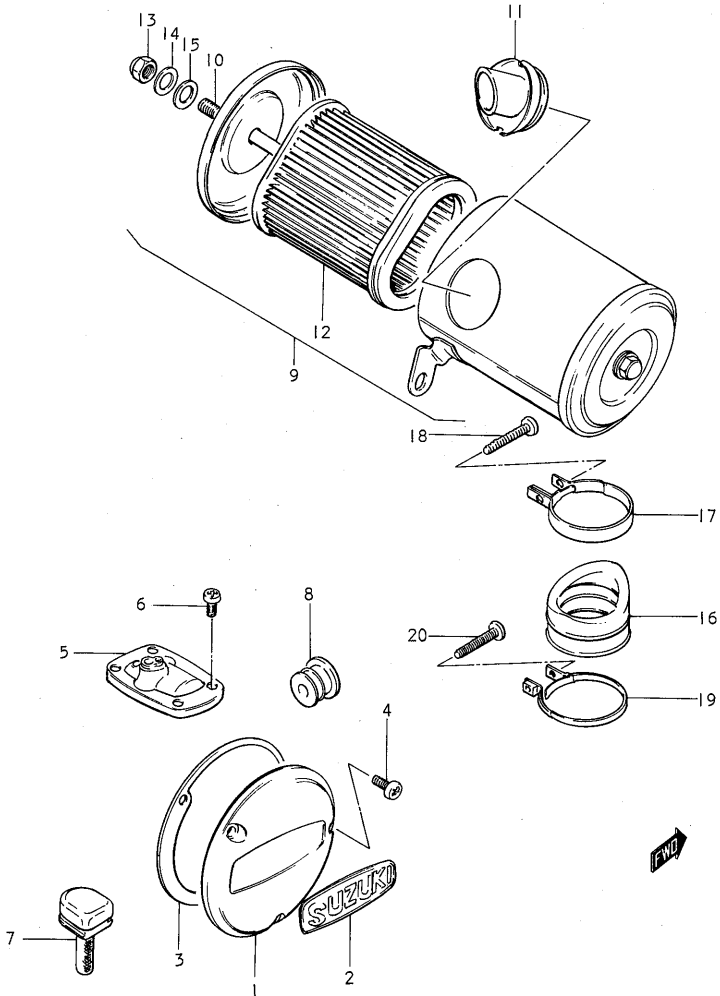


FIG.4 CARBURETOR COVER - AIR CLEANER

Ref.No.	Part No.	Description	Q'ty			Remarks
			M	B	DB	
1	11380-05842	CAP SET, carburetor inspection	1	1	1	
2	68233-34000	• EMBLEM	1	1	1	
3	11492-05002	GASKET, carburetor inspection cap	1	1	1	
4	02112-05168	SCREW	3	3	3	
5	11440-22500	COVER, carburetor top	1	1	1	
6	02112-05168	SCREW	4	4	4	
7	11910-06000	PIPE, carburetor chamber drain	1	1	1	
8	09250-14002	CAP, carburetor clamp hole	1	1	1	
9	13700-22311-019	AIR CLEANER ASSY	1	1	1	
10	<del>13701</del> 13700-05010	• BOLT	1	1	1	
11	13721-05012	• PIPE, inlet	1	1	1	
12	13780-05110	• ELEMENT	1	1	1	
13	08313-11068	• NUT	2	2	2	
14	08322-21068	• WASHER	2	2	2	
15	13742-05110	• GASKET	2	2	2	
16	13881-05002	TUBE, outlet	1	1	1	
17	09402-46306	CLAMP	1	1	1	
18	03211-04208	• SCREW	1	1	1	
19	09402-48303	CLAMP	1	1	1	
20	03211-04208	SCREW	1	1	1	

FIG.5 PISTON - CRANKSHAFT

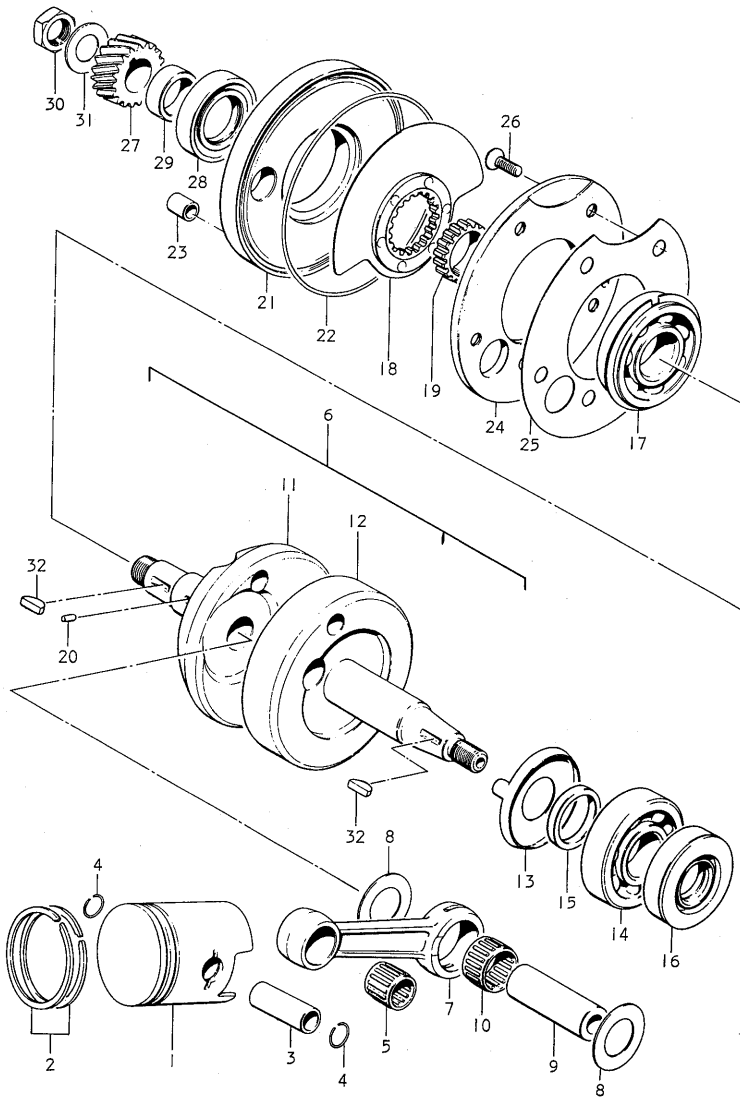




FIG.5 PISTON - CRANKSHAFT

Ref.No.	Part No.	Description	Qty			Remarks
			M	B	DB	
1-1	12110-35000	PISTON	1	1	1	
1-2	12110-35010	PISTON	1	1	1	OS:0.5
1-3	12110-35020	PISTON	1	1	1	OS:1.0
2-1	12140-05828	RING SET, piston	1	1	1	
2-2	12140-05751	RING SET, piston	1	1	1	OS:0.5
2-3	12140-05761	RING SET, piston	1	1	1	OS:1.0
3	12151-02000	PIN, piston	1	1	1	
4	09381-12001	CIRCLIP	2	2	2	
5	09263-12003	BEARING, piston pin	1	1	1	
6	12200-06100	CRANKSHAFT SET	1	1	1	
7	12161-35000	•ROD, connecting	1	1	1	
8	09160-16011	•THRUST WASHER	2	2	2	16x32x1
9	12211-06100	•PIN, crank	1	1	1	
10	09263-16002	•BEARING, crank pin	1	1	1	
11	12221-06101	•CRANKSHAFT, RH	1	1	1	
12	12261-06100	•CRANKSHAFT, LH	1	1	1	
13	12511-06100	PLATE, oil guide	1	1	1	
14	09269-20006	BEARING, LH crankshaft	1	1	1	
15	09180-20017	SPACER, LH crankshaft	1	1	1	20x28x4.5
16	09283-20011	OIL SEAL, LH crankshaft	1	1	1	
17	09262-20015	BEARING, RH crankshaft	1	1	1	

FIG.5 PISTON - CRANKSHAFT

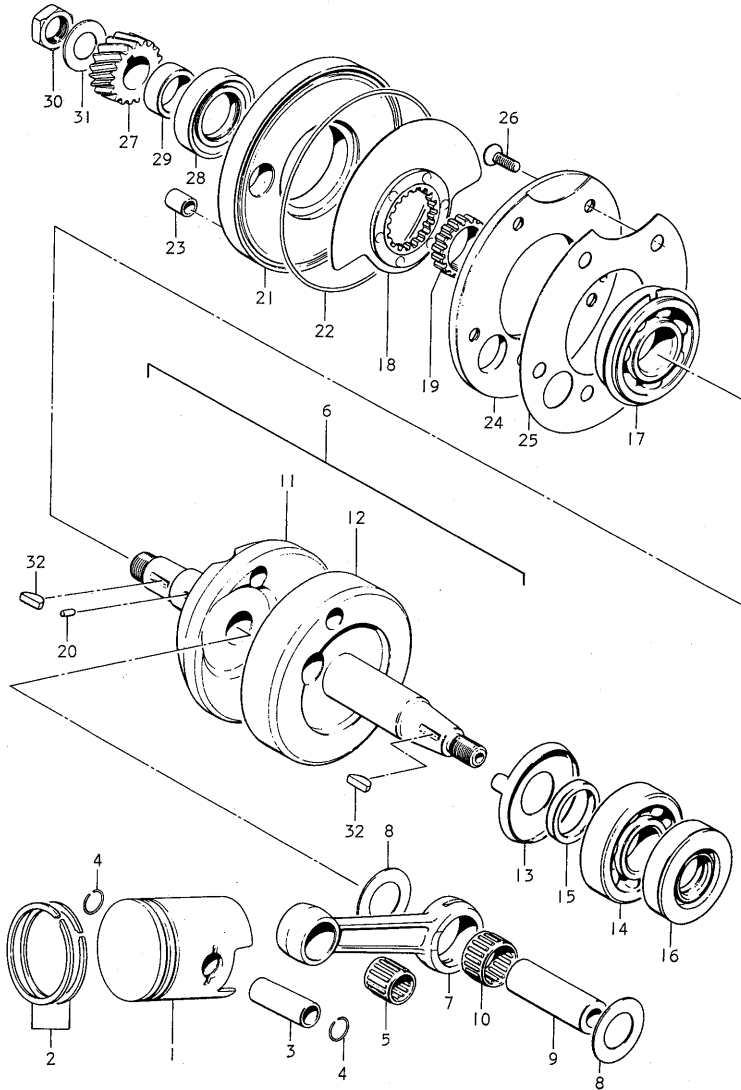


FIG.5 PISTON - CRANKSHAFT

Ref.No.	Part No.	Description	Q'ty			Remarks
			M	B	DB	
18	12410-22210	PLATE, valve	1	1	1	
19	12421-05210	GUIDE, valve	1	1	1	
20	06211-03052	PIN, valve guide	1	1	1	
21	12450-26000	SEAT, outer valve	1	1	1	
22	09280-00002	O RING	1	1	1	
23	04211-09129	PIN	1	1	1	
24	12460-05001	SEAT, inner valve	1	1	1	
25	12471-05001	GASKET, inner valve seat	1	1	1	
26	02122-06168	SCREW	5	5	5	
27	21111-03001	GEAR, primary drive	1	1	1	
28	09283-25009	OIL SEAL, RH crankshaft	1	1	1	
29	09180-20006	SPACER	1	1	1	20x25x10
30	09140-14002	NUT	1	1	1	
31	09166-14008	WASHER	1	1	1	
32	08341-31039	KEY	2	2	2	

FIG. 6 CARBURETOR

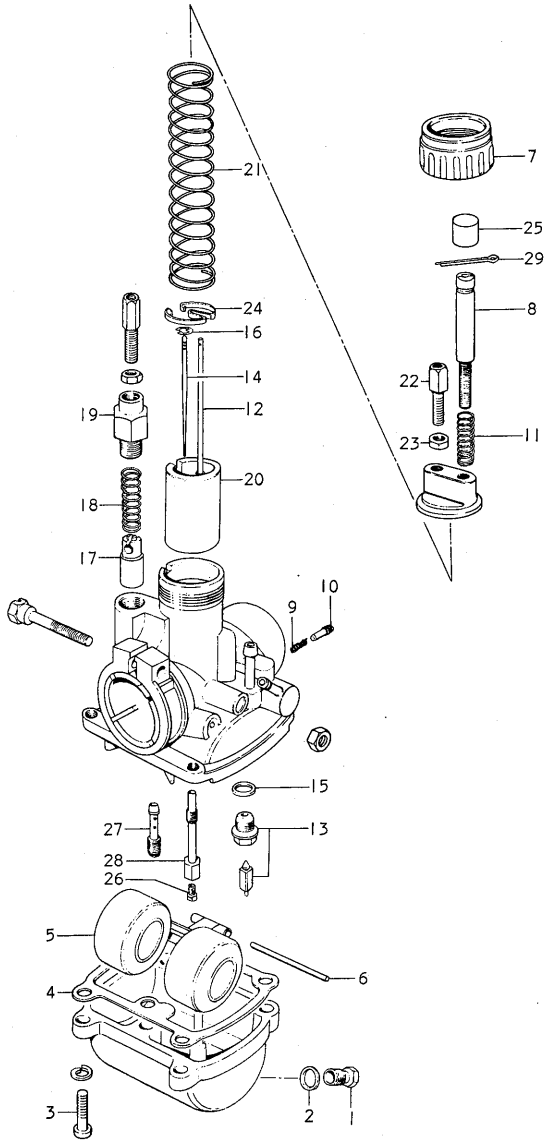


FIG.6 CARBURETOR

Ref.No.	Part No.	Description	Q'ty			Remarks
			M	B	DB	
	13200-05112	CARBURETOR ASSY	1	1	1	
1	13247-05010	•PLUG, drain	1	1	1	
2	13249-05010	•GASKET, drain	1	1	1	
3	13248-05110	•SCREW	4	4	4	
4	13251-01011	•GASKET, float chamber	1	1	1	
5	13252-02010	•FLOAT	1	1	1	
6	13254-01010	•PIN, float	1	1	1	
7	13265-05110	•CAP, mixing chamber	1	1	1	
8	13267-05010	•SCREW, throttle valve stop	1	1	1	
9	13268-01010	•SPRING, air screw	1	1	1	
10	13269-01010	•SCREW, air	1	1	1	
11	13268-05010	•SPRING, throttle valve stop screw	1	1	1	
12	13296-05010	•ROD, throttle valve stop	1	1	1	
13	13370-35620	•VALVE ASSY, needle	1	1	1	
14	13383-01010	•NEEDLE, jet	1	1	1	3G-2
15	13392-01010	•GASKET, valve seat	1	1	1	
16	13394-01010	•CLIP, needle	1	1	1	
17	13411-01010	•PLUNGER, starter	1	1	1	
18	13417-01010	•SPRING, plunger	1	1	1	
19	13418-03110	•CAP, plunger	1	1	1	
20	13551-26010	•VALVE, throttle	1	1	1	CA:2.0
21	13573-05010	•SPRING, throttle valve	1	1	1	
22	13577-03010	•ADJUSTER, cable	2	2	2	
23	13661-03010	•NUT	2	2	2	
24	13581-01010	•SEAT, spring	1	1	1	
25	13688-08010	•CAP	1	1	1	

FIG. 6 CARBURETOR

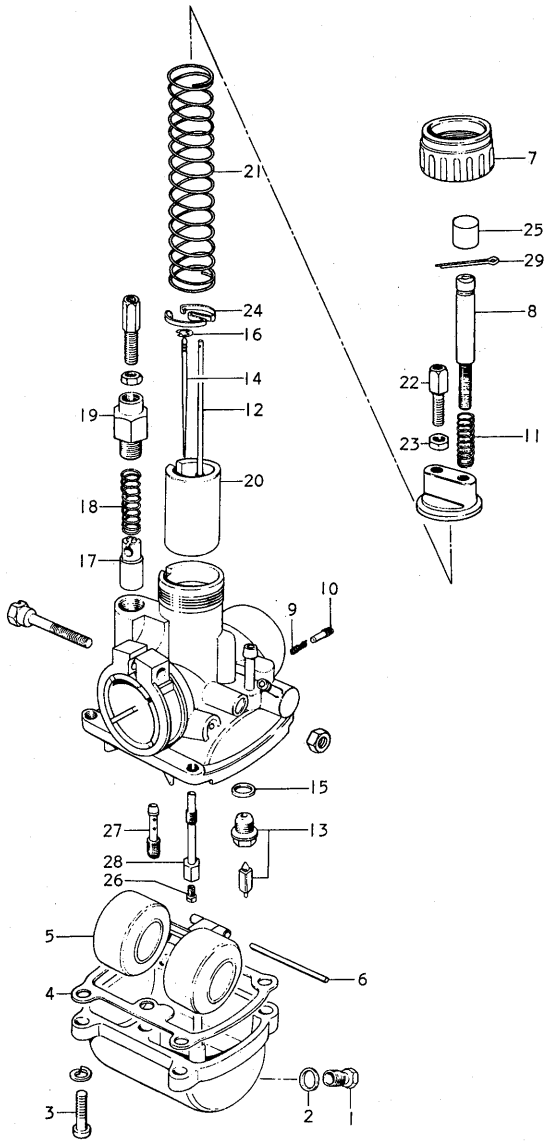


FIG.6 CARBURETOR

Ref.No.	Part No.	Description	Q'ty			Remarks
			M	B	DB	
26	09491-72009	•JET, main	1	1	1	#72.5
27	09492-25003	•JET, pilot	1	1	1	#25
28	09494-00038	•JET, needle	1	1	1	E-2
29	04111-12108	•COTTER PIN	1	1	1	

FIG. 7 MUFFLER

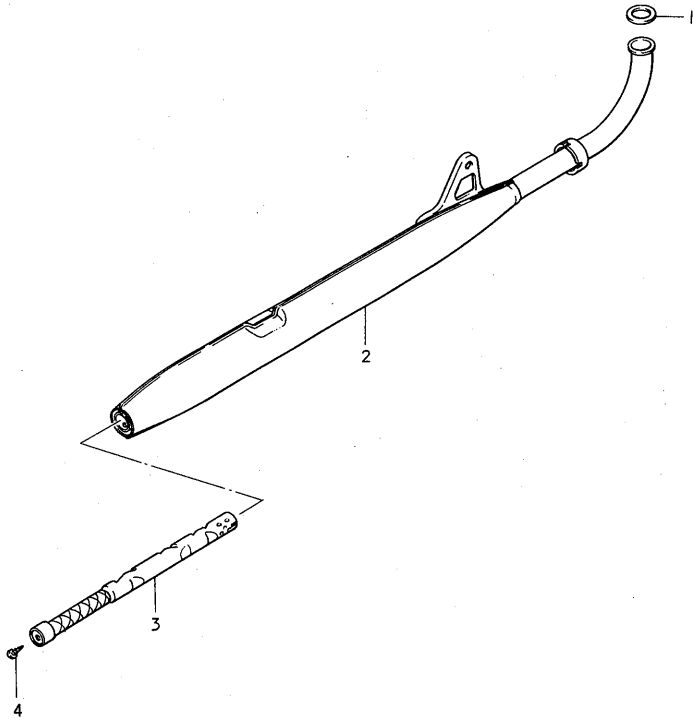




FIG.7 MUFFLER

Ref.No.	Part No.	Description	Q'ty			Remarks
			M	B	DB	
1	14181-05010	GASKET, exhaust pipe	1	1	1	
2	14301-22301	MUFFLER ASSY	1	1	1	
3	14510-05003	·PIPE, baffle	1	1	1	
4	02112-05068	·SCREW	1	1	1	

FIG.8 OIL PUMP

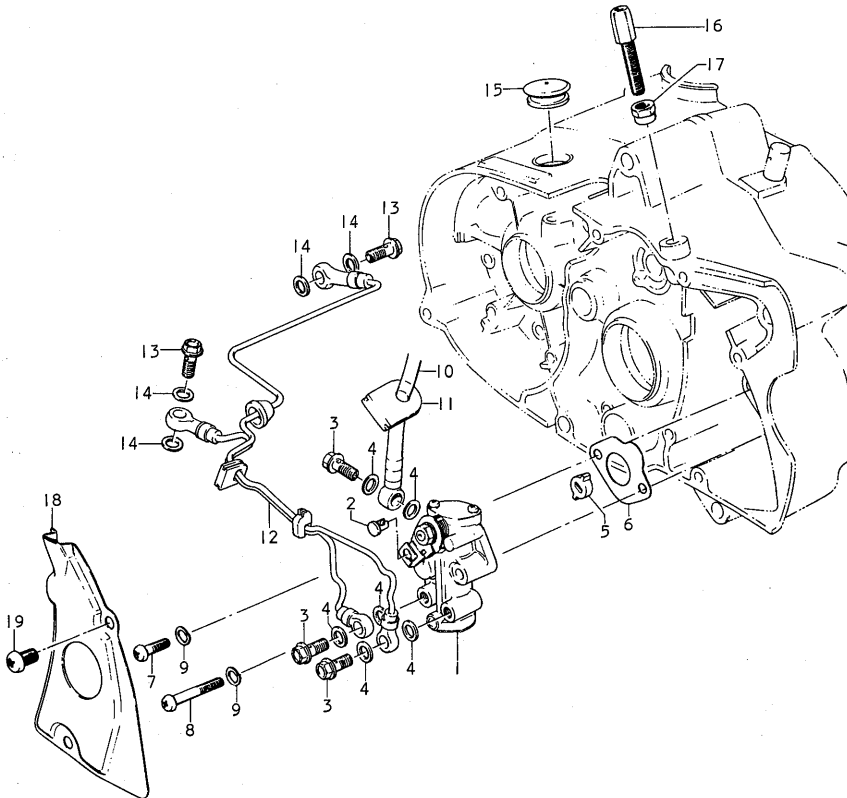


FIG.8 OIL PUMP

Ref.No.	Part No.	Description	Q'ty			Remarks
			M	B	DB	
1	16100-26010	PUMP SET, oil	1	1	1	
2	16292-03111	TERMINAL, cable	1	1	1	
3	09360-06003	BOLT, union	4	4	4	
4	09168-06002	GASKET, union bolt	8	8	8	
5	16391-05030	PIECE, oil pump driving	1	1	1	
6	16731-03100	GASKET, oil pump	1	1	1	
7	02112-05168	SCREW	1	1	1	
8	02112-05308	SCREW	1	1	1	
9	08321-21058	LOCK WASHER	2	2	2	
10	16810-12631	HOSE, oil inlet	1	1	1	
11	09309-08002	GROMMET	1	1	1	
12	16820-26030	HOSE, oil outlet	1	1	1	
13	09360-06003	BOLT, union	2	2	2	
14	09168-06002	GASKET, union bolt	4	4	4	
15	09250-20003	CAP, union bolt hole	1	1	1	
16	09119-08014	ADJUSTER, cable	1	1	1	
17	08310-12088	NUT	1	1	1	
18	11385-26000	COVER, oil pump	1	1	1	
19	02112-06108	SCREW	1	1	1	

FIG.9 CLUTCH

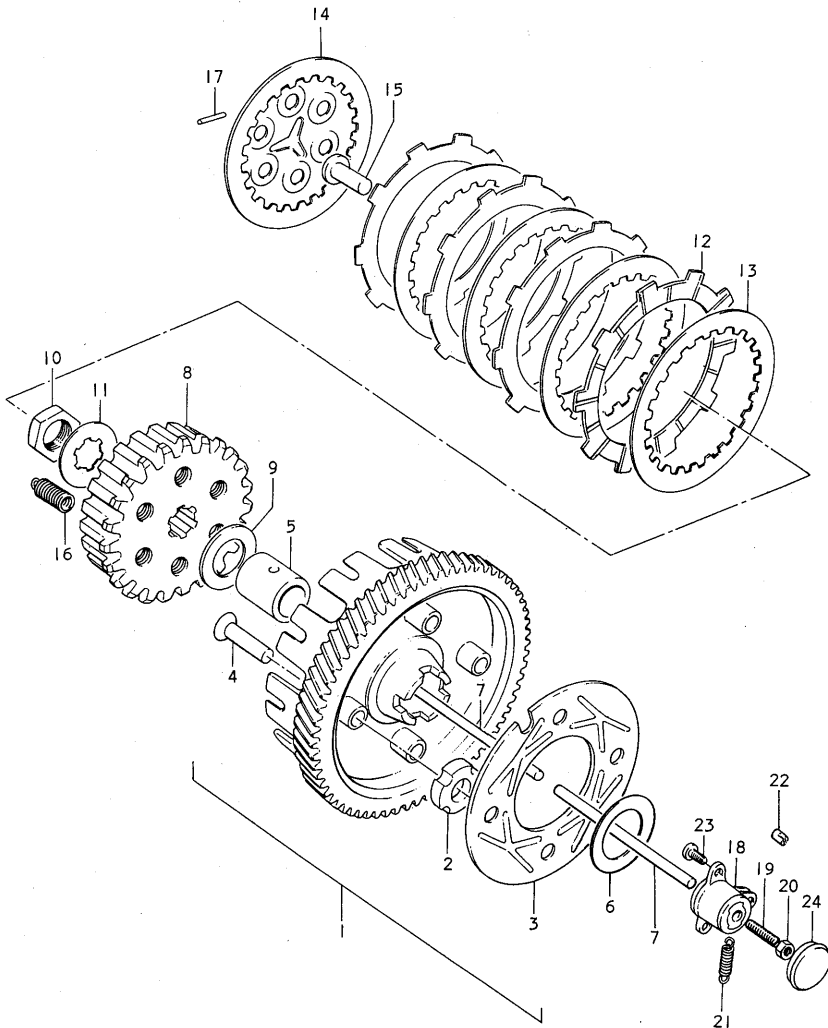


FIG.9 CLUTCH

Ref.No.	Part No.	Description	Q'ty			Remarks
			M	B	DB	
1	21200-05102	GEAR ASSY, primary driven	1	1	1	
2	21231-25040	•DAMPER	4	4	4	
3	21241-25301	•PLATE	1	1	1	
4	09221-05001	•RIVET	4	4	4	
5	09180-17025	SPACER, clutch housing	1	1	1	17x21x33.5
6	08211-17301	THRUST WASHER	1	1	1	
7	23111-03001	ROD, clutch push	2	2	2	5.5x90
8	21411-22200	HUB, sleeve	1	1	1	
9	08211-17282	THRUST WASHER	1	1	1	
10	09140-16001	NUT	1	1	1	
11	09167-17002	LOCK WASHER	1	1	1	
12	21441-12000	PLATE, drive	4	4	4	
13	21451-23000	PLATE, driven	4	4	4	
14	21460-23000	PLATE, pressure	1	1	1	
15	23121-03010	PIECE, clutch push	1	1	1	
16	09443-12003	SPRING	6	6	6	
17	09261-02001	PIN	6	6	6	2.5x19.8
18	23200-05030	SCREW ASSY, clutch release	1	1	1	
19	09134-06001	SCREW, adjuster	1	1	1	
20	08310-22068	NUT	1	1	1	
21	09443-08001	SPRING, clutch release return	1	1	1	
22	23222-07000	PIECE, release arm end	1	1	1	
23	02122-05128	SCREW	2	2	2	
24	09250-25001	CAP, release adjusting	1	1	1	

FIG.10 TRANSMISSION

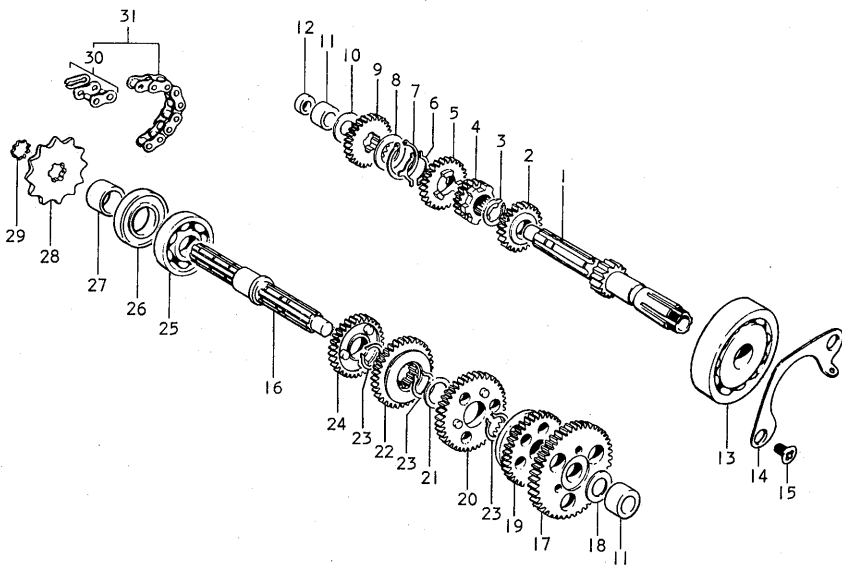


FIG.10 TRANSMISSION

Ref.No.	Part No.	Description	Q'ty			Remarks
			M	B	DB	
1	24121-05100	SHAFT, counter	1	1	1	NT:12
2	24231-05101	GEAR, 3rd drive	1	1	1	NT:19
3	09380-17001	CIRCLIP	1	1	1	
4	24221-05101	GEAR, 2nd drive	1	1	1	NT:15
5	24241-05100	GEAR, 4th drive	1	1	1	NT:25
6	09399-14001	RING, knock	2	2	2	
7	09380-26001	CIRCLIP	1	1	1	
8	08211-17282	THRUST WASHER	1	1	1	17x29x1.5
9	24251-05100	GEAR, 5th drive	1	1	1	NT:28
10	08211-12261	THRUST WASHER	1	1	1	
11	09300-12008	BUSH, mission shaft	1	1	1	12x19x12
12	09285-05004	OIL SEAL, push rod	1	1	1	4.2x16x8
13	09262-17012	BEARING, counter shaft RH	1	1	1	17x62x10
14	24741-35000	RETAINER, counter shaft bearing	1	1	1	
15	02112-06108	SCREW	2	2	2	
16	24130-22600	SHAFT, drive	1	1	1	
17	24310-05102	GEAR, 1st driven	1	1	1	NT:44
18	09160-12015	THRUST WASHER	1	1	1	12x24x1.5
19	24331-05102	GEAR, 3rd driven	1	1	1	NT:30
20	24321-05103	GEAR, 2nd driven	1	1	1	NT:32
21	09167-17003	THRUST WASHER	1	1	1	
22	24341-05100	GEAR, 4th driven	1	1	1	NT:32
23	09380-17001	CIRCLIP	2	2	2	
24	24351-05100	GEAR, 5th driven	1	1	1	NT:30
25	08113-62040	BEARING	1	1	1	

FIG.10 TRANSMISSION

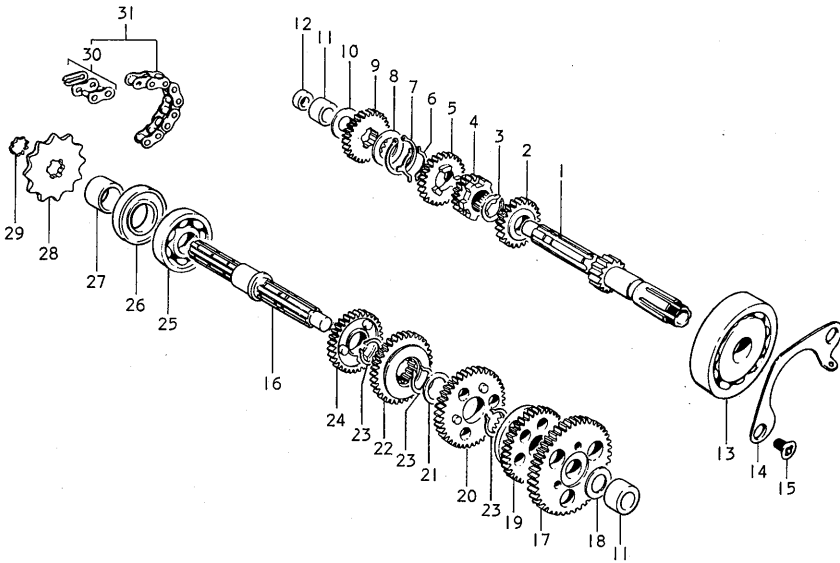




FIG.10 TRANSMISSION

Ref.No.	Part No.	Description	Q'ty			Remarks
			M	B	DB	
26	09283-20020	OIL SEAL	1	1	1	21x40x7
27	09300-12008	BUSH	1	1	1	
28	27511-19700	SPROCKET, engine	1	1	1	NT:14
29	27513-35000	RING, sprocket	1	1	1	
30	27600-05011	CHAIN ASSY, drive	1	1	1	#420x106&
31	27620-01011	JOINT ASSY, drive chain	1	1	1	1

1122

FIG.11 GEAR SHIFTING

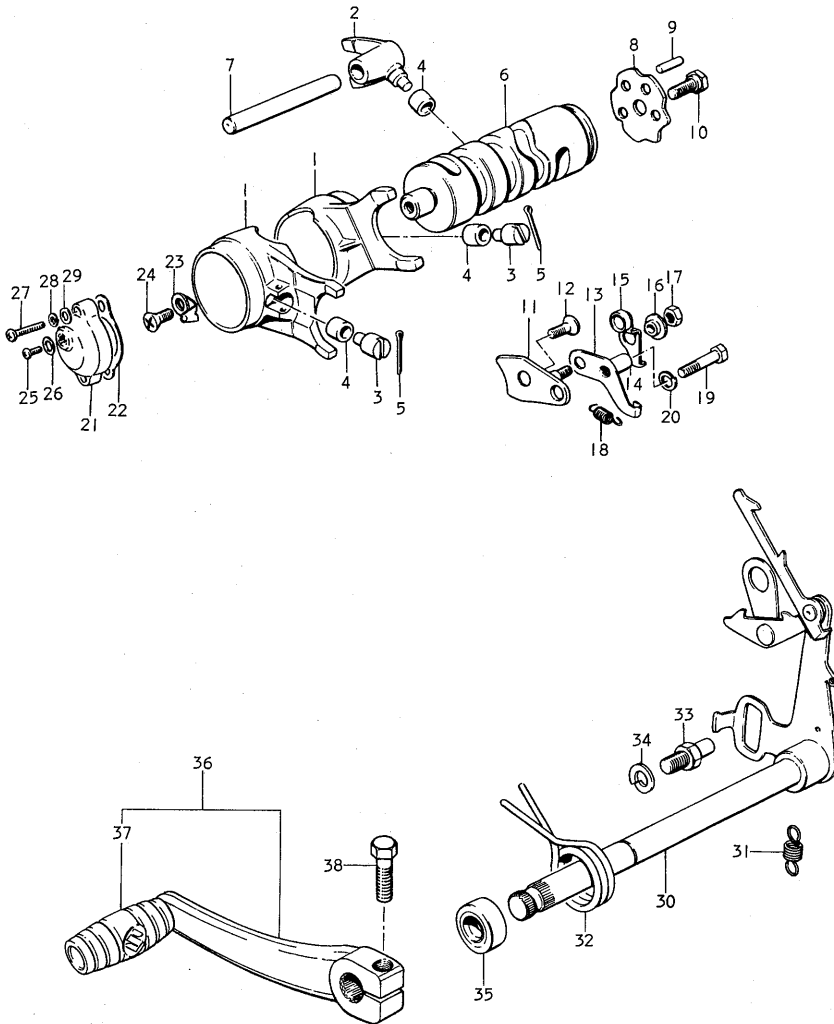


FIG.11 GEAR SHIFTING

Ref.No.	Part No.	Description	Q'ty			Remarks
			M	B	DB	
1	25211-05100	FORK, gear shifting (1)	2	2	2	
2	25221-05100	FORK, gear shifting (2)	1	1	1	
3	09209-10002	GUIDE, fork	2	2	2	
4	09180-06004	ROLLER, guide	3	3	3	6x9.8x6
5	04111-25208	COTTER PIN	2	2	2	
6	25311-05100	CAM	1	1	1	
7	25411-05100	SHAFT, gear shift fork	1	1	1	
8	25381-05100	PLATE, stopper	1	1	1	
9	09261-04002	PIN, shifting cam	4	4	4	
10	09111-06004	BOLT, retainer	1	1	1	
11	25340-05101	GUIDE, shifting cam	1	1	1	
12	02122-06168	SCREW	1	1	1	
13	25354-05101	HOLDER, spring	1	1	1	
14	09180-06021	SPACER	1	1	1	
15	25350-05100	STOPPER, shifting cam	1	1	1	
16	09180-06022	SPACER, spring	1	1	1	6x14x4
17	08310-11068	NUT	1	1	1	
18	09443-08005	SPRING	1	1	1	
19	01107-06308	BOLT	1	1	1	
20	08321-21068	LOCK WASHER	1	1	1	

FIG.11 GEAR SHIFTING

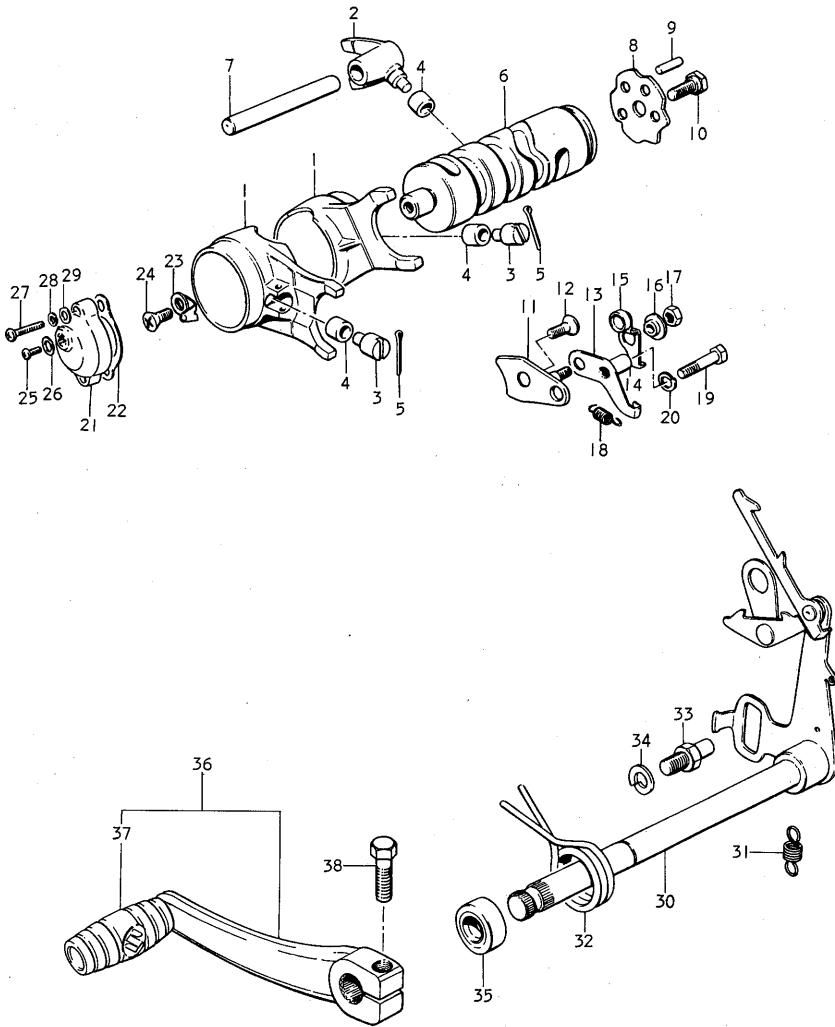


FIG.11 GEAR SHIFTING

Ref.No.	Part No.	Description	Q'ty			Remarks
			M	B	DB	
21	37721-26000	BODY, gear shifting switch	1	1	1	
22	37712-26000	GASKET	1	1	1	
23	37711-05101	CONTACT, neutral switch	1	1	1	
24	02122-06128	SCREW	1	1	1	
25	02112-03048	SCREW	1	1	1	
26	08322-21038	WASHER	1	1	1	
27	02112-04208	SCREW	3	2	2	
28	08321-21048	LOCK WASHER	2	2	2	
29	08322-21048	WASHER	2	2	2	
30	25510-22200	SHAFT, gear shifting	1	1	1	
31	09443-07013	SPRING, gear shifting pawl return	1	1	1	
32	09444-26008	SPRING, gear shifting shaft return	1	1	1	
33	25671-19000	STOPPER, gear shifting arm	1	1	1	
34	08321-21108	LOCK WASHER	1	-	-	
35	09285-12002	OIL SEAL	1	1	1	12x22x9
36	25600-22600	LEVER ASSY, gear shifting	1	1	1	
37	25652-16500	-RUBBER	1	1	1	
38	01107-06208	BOLT	1	1	1	

FIG.12 CYCLE SPROCKET

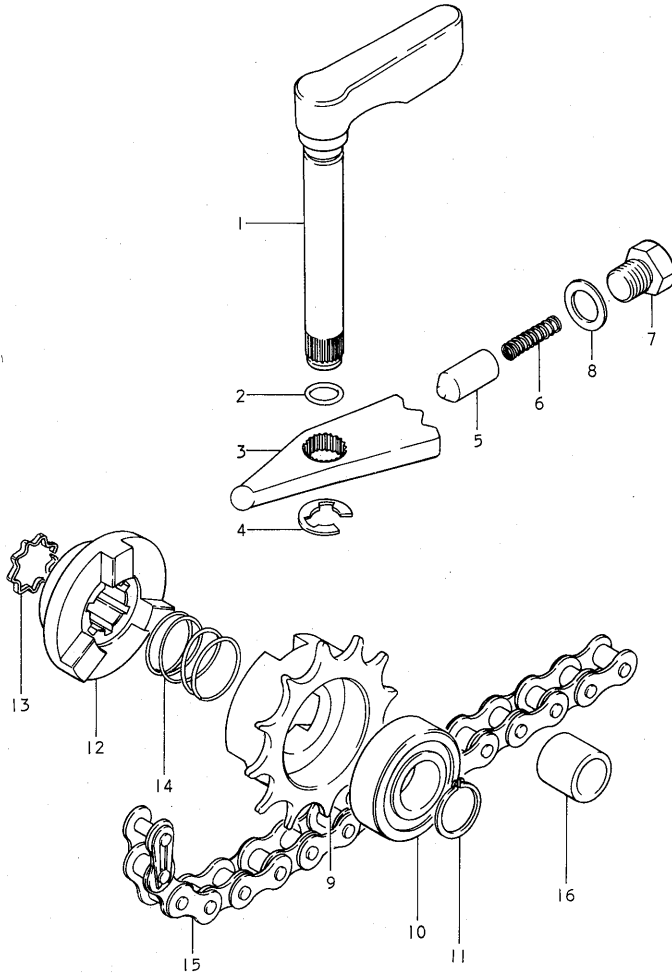


FIG.12 CYCLE SPROCKET

Ref.No.	Part No.	Description	Q'ty			Remarks
			M	B	DB	
1	25820-22600	LEVER, cycle sprocket shift	1	1	1	
2	09280-08003	O RING	1	1	1	
3	25812-22600	ARM, cycle sprocket shift	1	1	1	
4	08332-11078	E RING	1	1	1	
5	25351-22600	STOPPER	1	1	1	
6	09440-04011	SPRING	1	1	1	
7	09100-10004	PLUG	1	1	1	
8	08322-11108	WASHER	1	1	1	
9	27521-22600	SPROCKET, cycle	1	1	1	
10	08130-60027	BEARING	1	1	1	
11	08331-31159	CIRCLIP	1	1	1	
12	27522-22600	WHEEL	1	1	1	
13	27513-35000	RING	1	1	1	
14	09440-19010	SPRING	1	1	1	
15	27700-22600	CHAIN ASSY, cycle	1	1	1	
16	09343-12005	CUSHION	1	1	1	

FIG.13 KICK STARTER

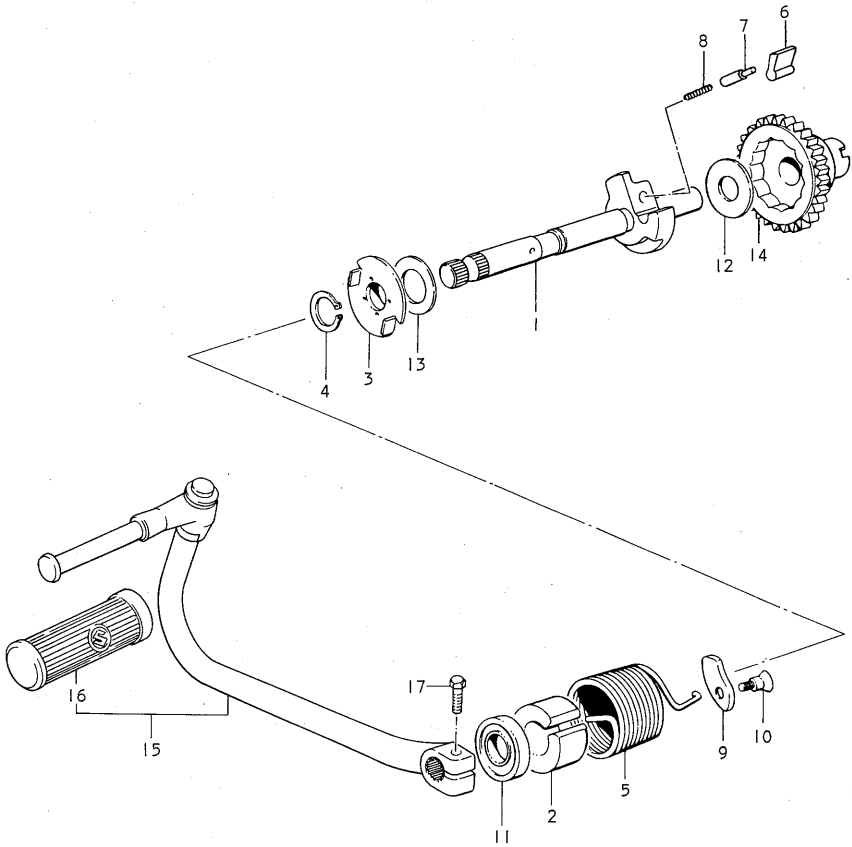




FIG.13 KICK STARTER

Ref.No.	Part No.	Description	Q'ty			Remarks
			M	B	DB	
1	26211-35001	SHAFT, kick starter	1	1	1	
2	26221-01030	GUIDE, return spring	1	1	1	
3	26222-01001	HOLDER, return spring	1	1	1	
4	08331-11149	CIRCLIP	1	1	1	
5	09448-38002	SPRING	1	1	1	
6	26231-01000	PAWL, kick starter	1	1	1	
7	09209-05012	PIN, pawl	1	1	1	
8	09440-04010	SPRING, pawl	1	1	1	
9	26232-01000	STOPPER	1	1	1	
10	09139-06002	SCREW	1	1	1	
11	09285-14001	OIL SEAL	1	1	1	14x24x6
12	08211-12302	THRUST WASHER, LH	1	1	1	
13	09160-14005	THRUST WASHER, RH	1	1	1	14x29x1.5
14	26241-05101	GEAR, drive	1	1	1	
15	26300-22600	LEVER ASSY, kick starter	1	1	1	
16	26352-01000	*RUBBER	1	1	1	
17	01107-06208	BOLT	1	1	1	

FIG.14 FLYWHEEL MAGNETO

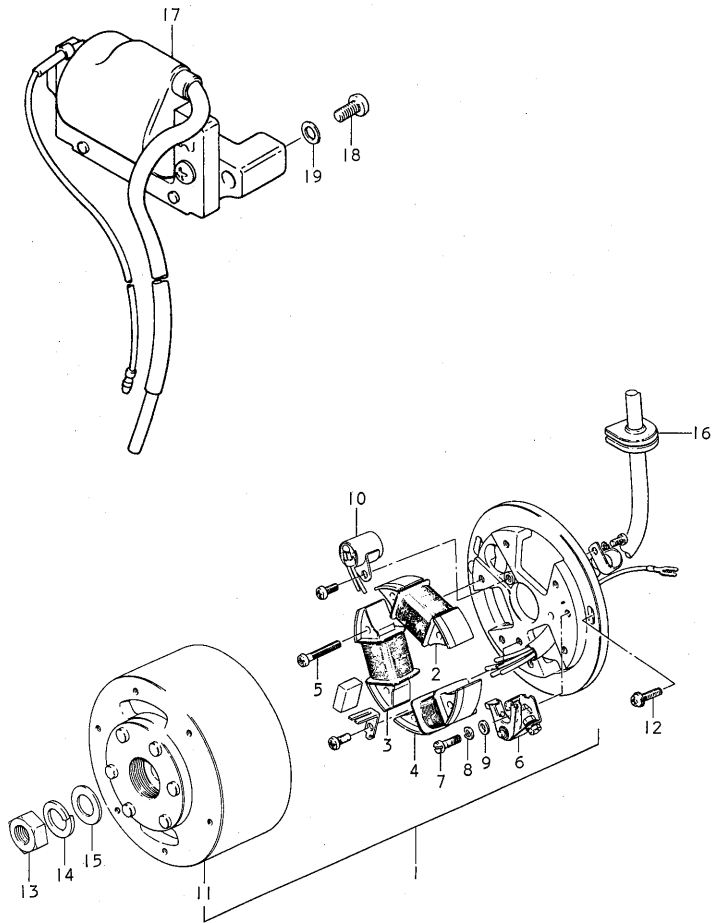


FIG.14 FLYWHEEL MAGNETO

Ref.No.	Part No.	Description	Q'ty M	Remarks
1	32100-03620	MAGNETO ASSY	1	
2	32120-03620	-COIL, lighting (1)	1	
3	32130-03620	-COIL, lighting (2)	1	
4	32140-03620	-COIL, primary	1	
5	02111-04308	-SCREW	6	
6	32240-28010	-POINT ASSY, contact	1	
7	02311-04128	-SCREW	1	
8	08321-21048	-LOCK WASHER	1	
9	08322-21048	-WASHER	1	
10	32341-25690	-CONDENSER	1	
11	32102-03620	-ROTOR, flywheel	1	
12	09139-05011	SCREW	3	
13	08310-12108	NUT	1	
14	08321-21108	LOCK WASHER	1	
15	08322-21108	WASHER	1	
16	09309-09006	GROMMET	1	
17	33410-19020	COIL ASSY, ignition	1	
18	02112-05128	SCREW	2	
19	08322-21058	WASHER	2	

FIG.15 FLYWHEEL MAGNETO

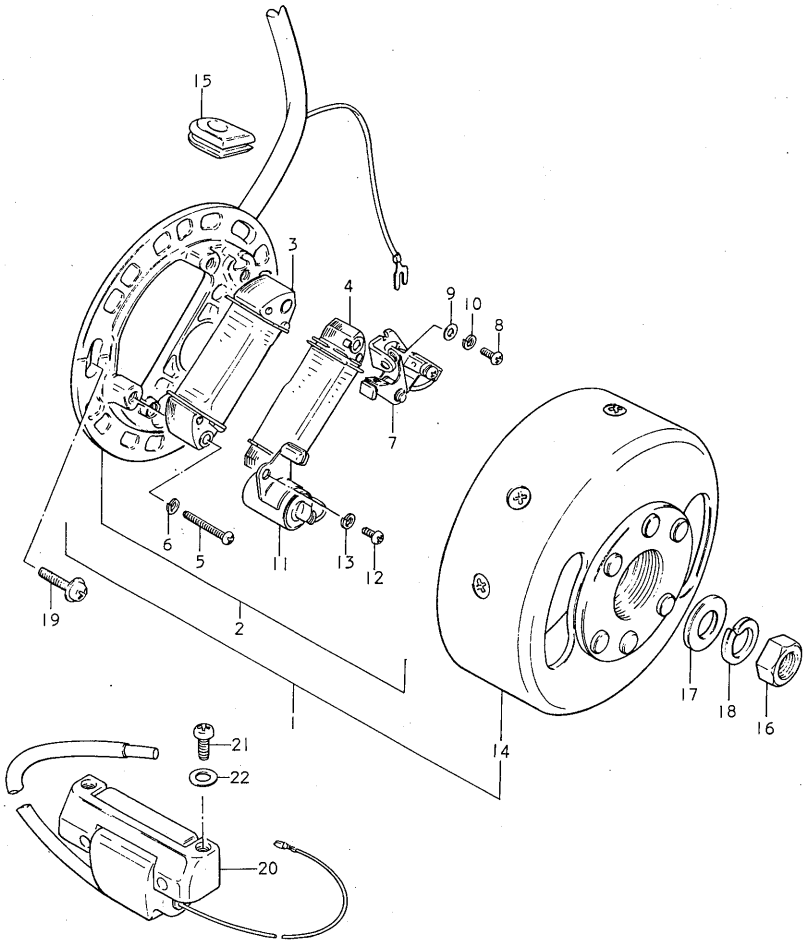


FIG. 15 FLYWHEEL MAGNETO

Ref.No.	Part No.	Description	Q'ty B DB	Remarks
1	32100-43012	MAGNETO ASSY	1 1	
2	32101-43012	•STATOR ASSY	1 1	
3	32120-43012	••COIL, lighting	1 1	
4	32140-43012	••COIL, primary	1 1	
5	02112-04258	••SCREW	4 4	
6	08321-21048	••LOCK WASHER	4 4	
7	32240-43012	••CONTACT, point	1 1	
8	02112-04108	••SCREW	1 1	
9	08322-21048	••WASHER	1 1	
10	08321-21048	••LOCK WASHER	1 1	
11	32341-43012	••CONDENSER	1 1	
12	02112-04108	••SCREW	2 2	
13	08321-21048	••LOCK WASHER	2 2	
14	32102-43012	•ROTOR	1 1	
15-1	09309-09003	GROMMET	1 -	
15-2	09309-09006	GROMMET	- 1	
16	09140-10003	NUT	1 1	
17	08322-21108	WASHER	1 1	
18	08321-21108	LOCK WASHER	1 1	
19	09139-05011	SCREW	3 3	
20	33410-19011	COIL ASSY, ignition	1 1	
21	02112-05128	SCREW	2 2	
22	08322-21058	WASHER	2 2	

FIG.16 SPEEDOMETER

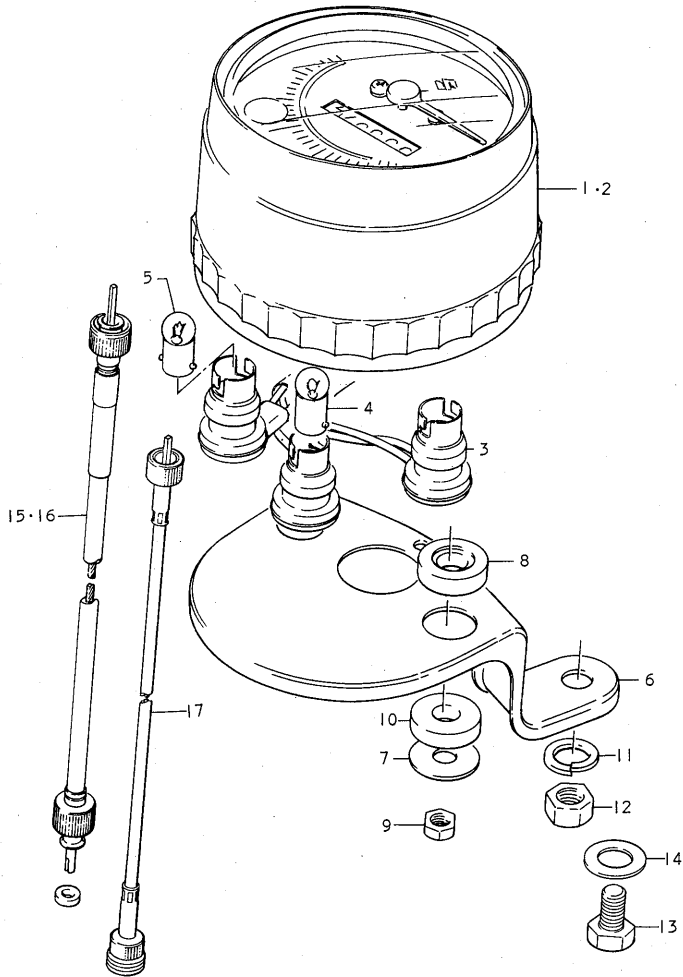


FIG.16 SPEEDOMETER

Ref.No.	Part No.	Description	Q'ty			Remarks
			M	B	DB	
1	34100-26601-999	SPEEDOMETER ASSY	1	-	-	Mile
2	34100-22620	SPEEDOMETER ASSY	-	1	1	Mile & Kilo
3	34170-26600	·SOCKET	1	1	1	
4	09471-06002	BULB	2	2	2	6V, 3W
5	09471-06001	BULB	2	2	2	6V, 1.7W
6	34950-26001	BRACKET, speedometer	1	1	1	
7	09160-05006	WASHER	2	2	2	
8	34955-20000	CUSHION, No.1	2	2	2	
9	08310-11058	NUT	2	2	2	
10	09320-08004	CUSHION, No.2	2	2	2	
11	08321-21088	LOCK WASHER	2	-	-	
12	08312-11088	NUT	2	-	-	
13	01104-08128	BOLT	-	2	2	
14	08322-11088	WASHER	-	2	2	
15	34910-28131	CABLE ASSY, speedometer	1	-	-	
16	34910-24912	CABLE ASSY, speedometer	-	1	-	
17	34910-22210	CABLE ASSY, speedometer	-	-	1	

FIG.17 HEADLAMP

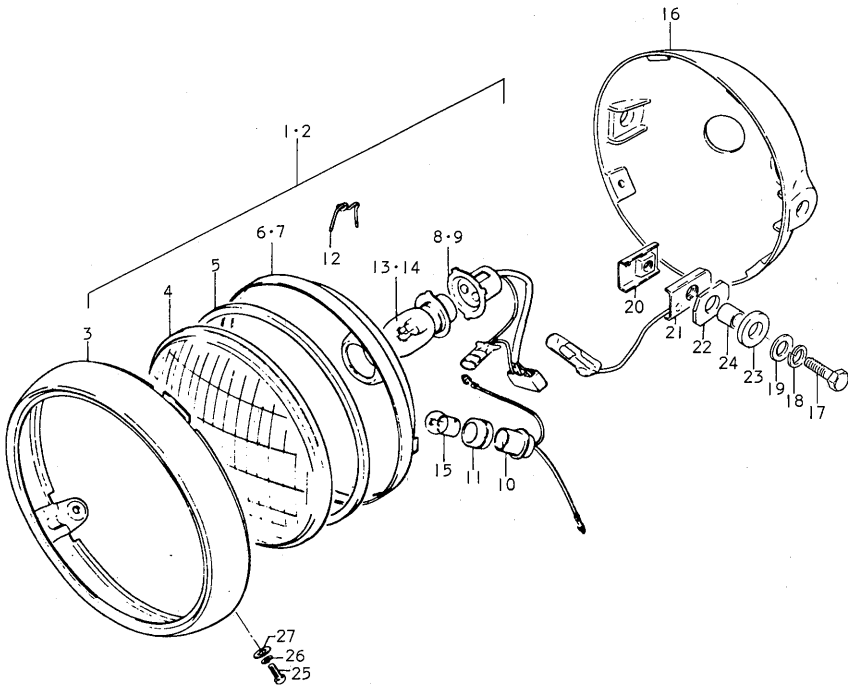




FIG.17 HEADLAMP

Ref.No.	Part No.	Description	Q'ty			Remarks
			M	B	DB	
1	35100-25620	HEADLAMP ASSY	1	-	-	
2	35100-22630	HEADLAMP ASSY	-	1	1	
3	35111-27221	·RIM	1	1	1	
4	35124-27222	·LENS	1	1	1	
5	35125-27222	·GASKET	1	1	1	
6	35123-25620	·REFLECTOR	1	-	-	
7	35123-22630	·REFLECTOR	-	1	1	
8	35171-25620	·SOCKET	1	-	-	
9	35171-22630	·SOCKET	-	1	1	
10	36118-25620	·SOCKET	1	1	1	
11-1	36116-08421	·SEAL RUBBER	1	-	-	
11-2	36116-22630	·SEAL RUBBER	-	1	1	
12	35128-27221	·SPRING	3	3	3	
13	09471-06015	·BULB	1	-	-	6V, 25/25W
14	09471-06028	·BULB	-	1	1	7V, 18/18W
15	09471-06002	·BULB	1	1	1	6V, 3W

FIG.17 HEADLAMP

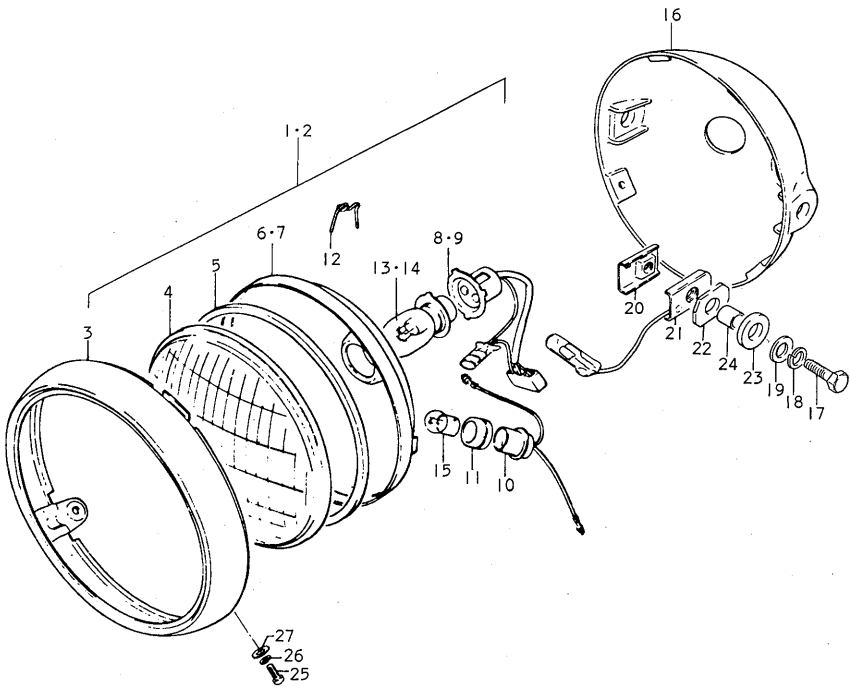


FIG.17 HEADLAMP

Ref.No.	Part No.	Description	Q'ty			Remarks
			M	B	DB	
16-1	51810-27200-291	HOUSING, headlamp	-	1	1	
16-2	51810-27200-797	HOUSING, headlamp	1	-	-	
16-3	51810-27200-00U	HOUSING, headlamp	1	-	-	
17	01204-08307	BOLT	2	2	2	
18	08321-21088	LOCK WASHER	2	2	2	
19	08322-11088	WASHER	2	2	2	
20	51817-06301	PLATE, housing RH	1	2	2	
21	51818-06301	PLATE, housing LH	1	-	-	
22	09329-12002	CUSHION (1)	2	2	2	
23	09320-12014	CUSHION (2)	2	2	2	
24	09180-08001	SPACER	2	2	2	
25	02112-04128	SCREW	2	2	2	
26	08321-21048	LOCK WASHER	2	2	2	
27	08322-21048	WASHER	2	2	2	

FIG.18 TURN SIGNAL LAMP

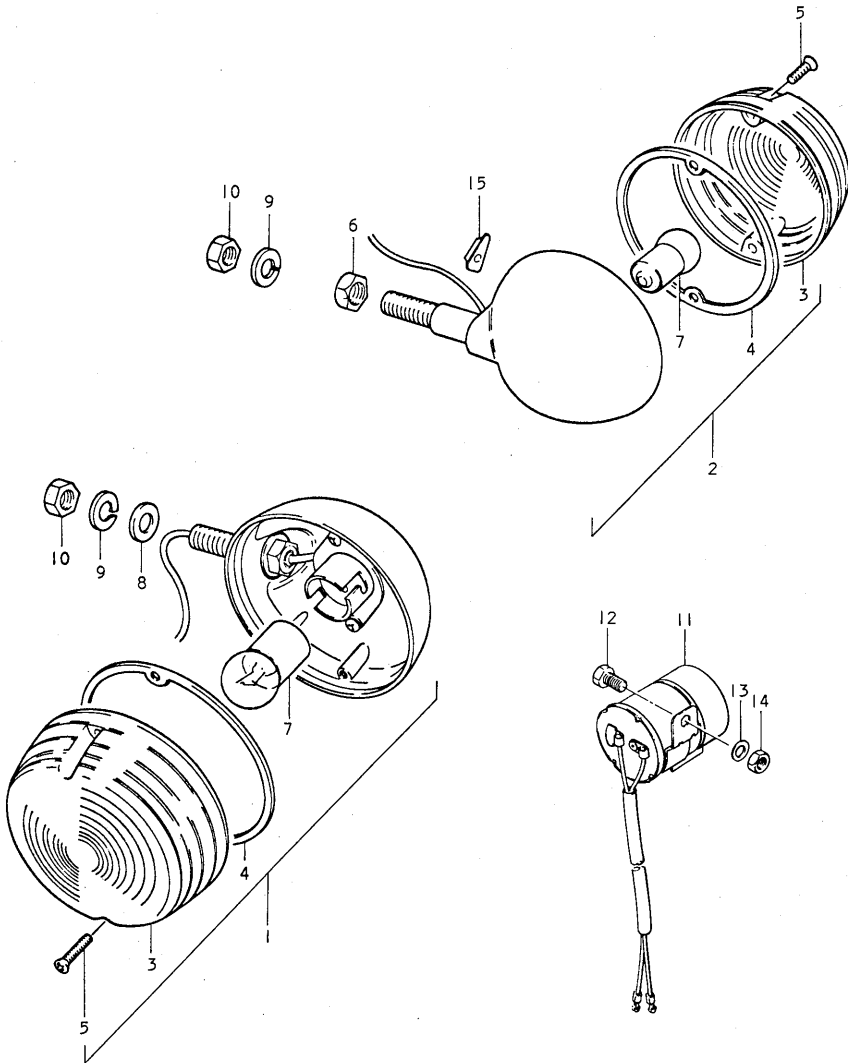


FIG.18 TURN SIGNAL LAMP

Ref.No.	Part No.	Description	Q'ty M	Remarks
1	35601-25211	LAMP ASSY, front turn signal	2	
2	35603-25012	LAMP ASSY, rear turn signal	2	
3	35612-20010	•LENS	4	
4	35613-06111	•GASKET	4	
5	35623-06110	•SCREW	8	
6	08310-22108	•NUT, rear turn signal	2	
7	09471-06021	•BULB	4	
8	08322-11108	WASHER	2	
9	08321-21108	LOCK WASHER	4	
10	08310-12108	NUT	4	
11	38610-12110	RELAY, turn signal	1	
12	01122-06128	BOLT	1	
13	08322-21068	WASHER	1	
14	08310-11068	NUT	1	
15	35661-22610	GROMMET, rear turn signal lead wire	2	

FIG.19 TURN SIGNAL LAMP

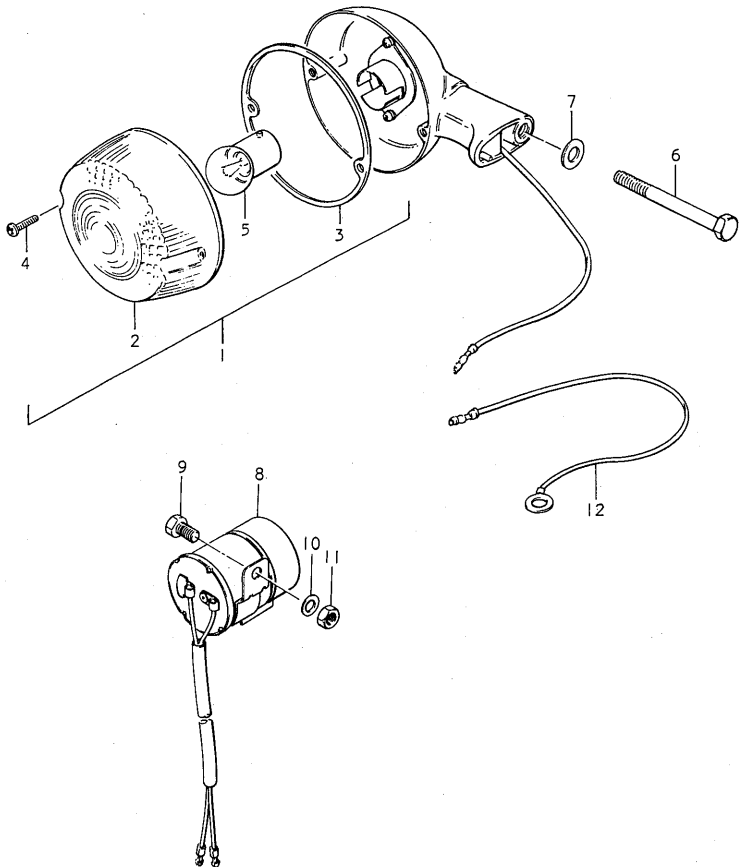


FIG.19 TURN SIGNAL LAMP

Ref.No.	Part No.	Description	Q'ty		Remarks
			B	DB	
1	35603-46210	LAMP ASSY, turn signal	4	4	
2	35612-46210	•LENS	4	4	
3	35613-06111	•GASKET	4	4	
4	03211-03168	•SCREW	8	8	
5	09471-06021	•BULB	4	4	6V, 8W
6-1	01112-06608	BOLT, front	2	2	
6-2	09100-06038	BOLT, rear	2	2	
7	08322-11068	WASHER, front	2	2	
8	38610-12110	RELAY, turn signal	1	1	
9	01107-06128	BOLT	1	1	
10	08322-21068	WASHER	1	1	
11	08310-11068	NUT	1	1	
12	36851-46200	LEAD WIRE, front turn signal	1	1	

FIG.20 REAR COMBINATION LAMP

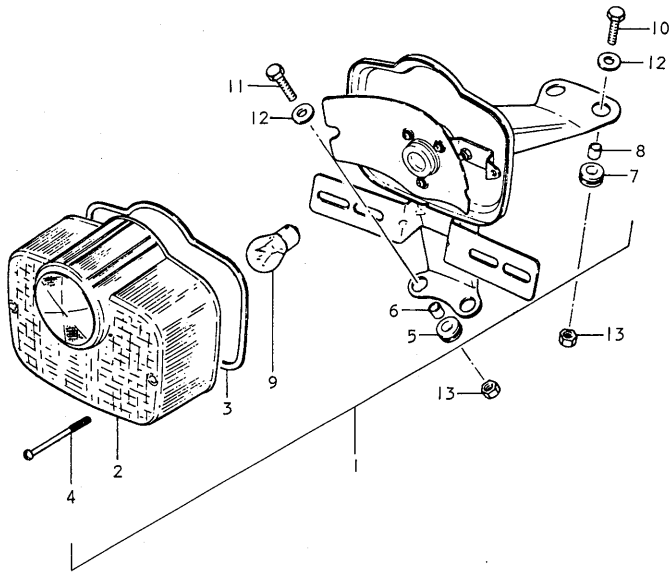




FIG.20 REAR COMBINATION LAMP

Ref.No.	Part No.	Description	Q'ty M	Remarks
1	35710-23010	LAMP ASSY, rear combination	1	
2	35712-27630	·LENS	1	
3	35713-27630	·GASKET	1	
4	02111-04508	·SCREW	2	
5	35765-15010	·CUSHION, front	2	
6	35766-15010	·SPACER	2	
7	35765-22210	·CUSHION, rear	2	
8	35766-22210	·SPACER	2	
9	09471-06009	·BULB	1	6V, 21/3cp
10	01107-06168	BOLT	2	
11	01107-06208	BOLT	2	
12	09160-06027	WASHER	4	
13	08310-11068	NUT	4	

FIG.21 REAR COMBINATION LAMP

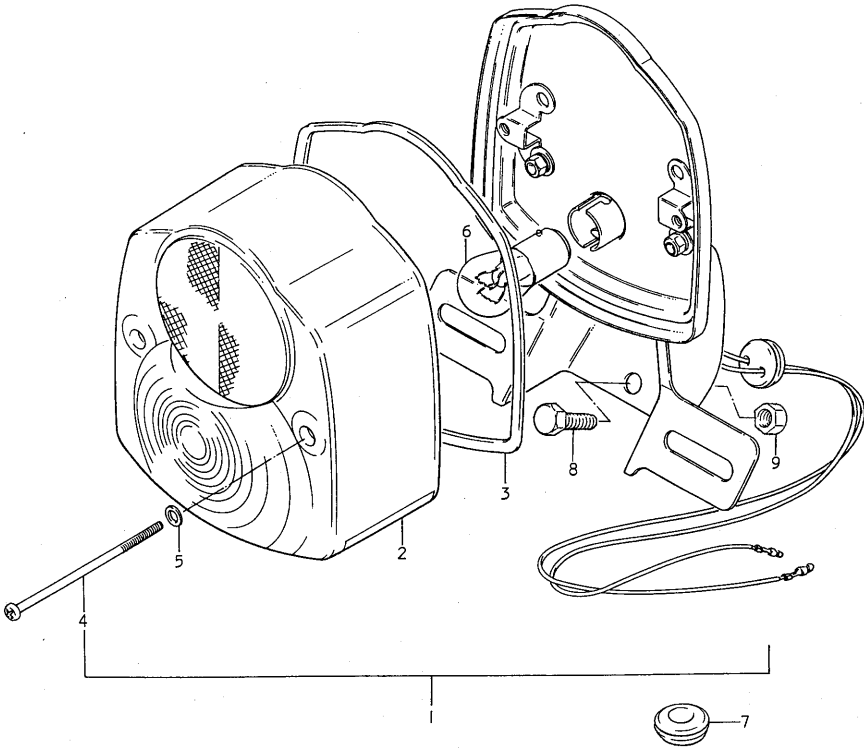


FIG.21 REAR COMBINATION LAMP

Ref.No.	Part No.	Description	Q'ty		Remarks
			B	DB	
1	35710-22650-999	LAMP ASSY, rear combination	1	1	
2	35712-46620	·LENS	1	1	
3	35713-46620	·GASKET	1	1	
4	35623-35110	·SCREW	2	2	
5	35627-43010	·GASKET	2	2	
6	09471-06034	BULB (Executed locally)	1	1	HELLA/PHILIPS VW K15826
7	09308-05005	GROMMET	1	1	
8	01107-06108	BOLT	2	2	
9	08310-11068	NUT	2	2	

FIG.22 ELECTRICAL (1)

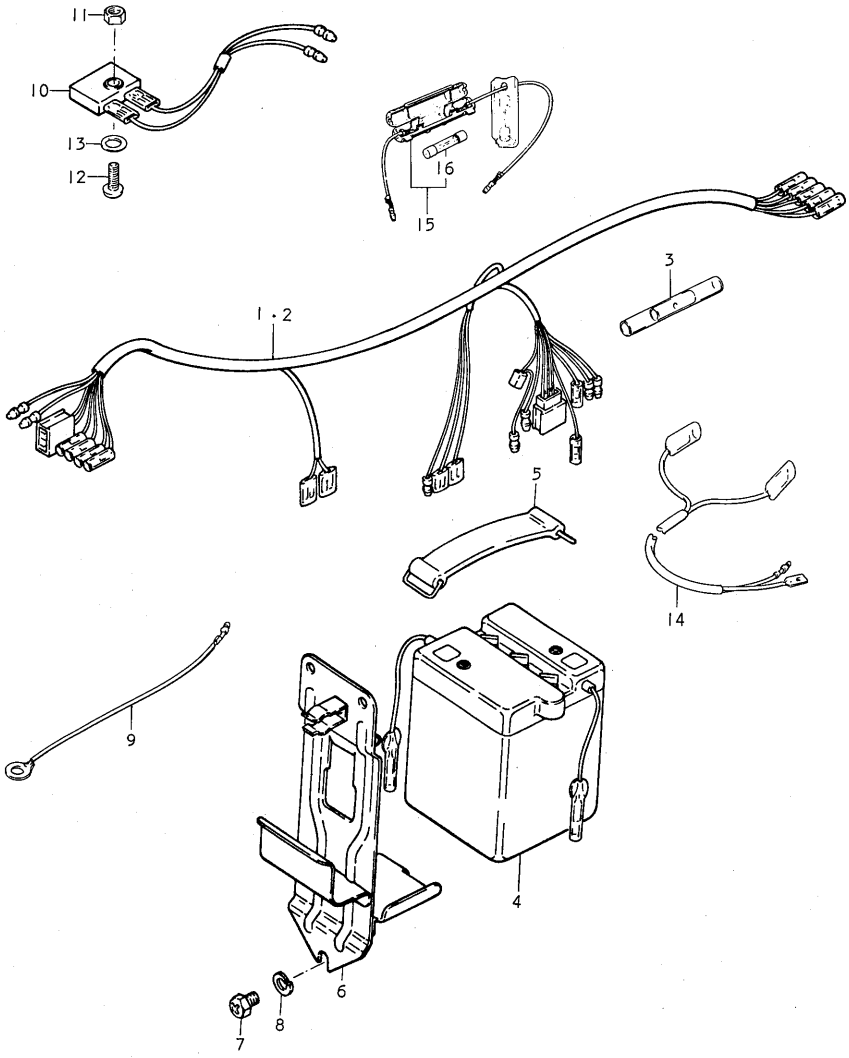


FIG.22 ELECTRICAL (1)

Ref.No.	Part No.	Description	Q'ty			Remarks
			M	B	DB	
1	36610-22204	WIRING HARNESS	1	-	-	
2	36610-22600	WIRING HARNESS	-	1	1	
3	37132-03000	CONNECTOR	1	-	-	
4	33610-03010	BATTERY ASSY	1	1	1	6V, 4AH
5	09462-00007	BAND, battery	1	1	1	
6	41540-05100	HOLDER, battery	1	1	1	
7	09128-06004	SCREW	3	3	3	
8	08321-21068	LOCK WASHER	3	3	3	
9	36862-27690	LEAD WIRE, battery (-)	-	1	1	
10	32800-19063	RECTIFIER, silicon	1	1	1	
11	08310-11058	NUT	1	1	1	
12	02112-05208	SCREW	1	1	1	
13	08322-21058	WASHER	1	1	1	
14	36852-22620	LEAD WIRE, rectifier	-	1	1	
15	36740-15010	FUSE CASE ASSY	1	1	1	
16	09481-15001	FUSE	1	1	1	15A

FIG.23 ELECTRICAL (2)

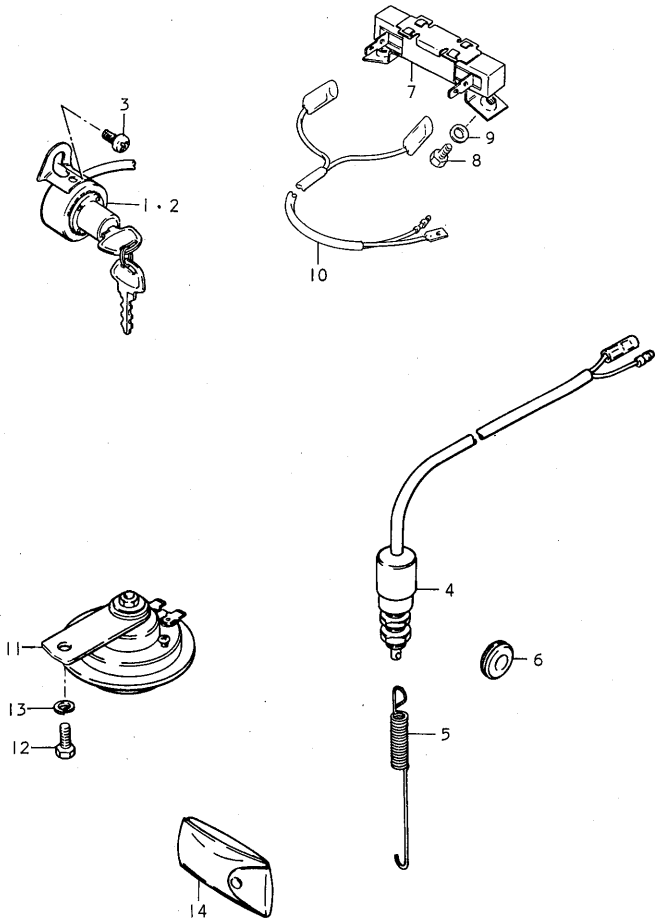


FIG.23 ELECTRICAL (2)

Ref.No.	Part No.	Description	Q'ty			Remarks
			M	B	DB	
1	37110-22613	SWITCH ASSY, ignition	1	-	-	
2	37110-22620	SWITCH ASSY, ignition	-	1	1	
3	02112-06088	SCREW	2	2	2	
4	37740-19051	SWITCH ASSY, brake lamp	1	1	1	
5	09443-06019	SPRING	1	1	1	
6	09308-12001	GROMMET	1	1	1	
7	36510-22600	RESISTOR	-	1	1	
8	01104-05088	BOLT	-	2	2	
9	08322-21058	WASHER	-	2	2	
10	36852-22610	LEAD WIRE, resistor	-	1	1	
11	38500-23031	HORN	1	1	1	
12	01104-08128	BOLT	1	1	1	
13	08321-21088	LOCK WASHER	1	-	-	
14	09800-00108	TOOL SET	1	1	1	

FIG.24 FRAME - FRAME COVER

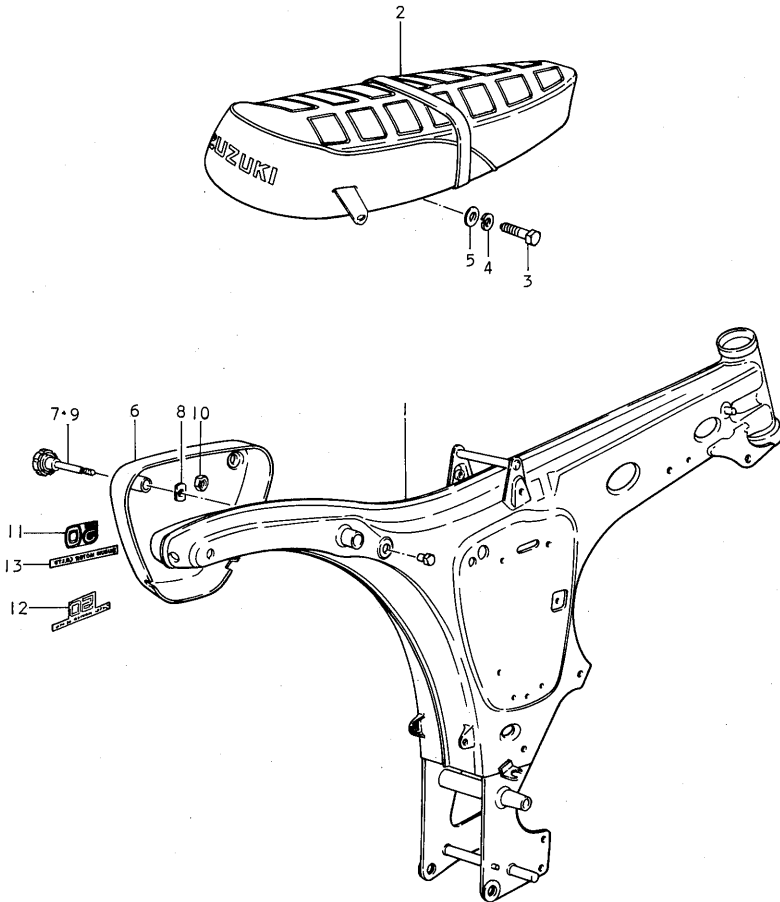




FIG.24 FRAME - FRAME COVER

Ref.No.	Part No.	Description	Q'ty			Remarks
			M	B	DB	
1	41100-21201-019	FRAME	1	1	1	
2	45100-22631-865	SEAT ASSY	1	1	1	
3	01107-08258	BOLT	2	2	2	
4	08321-21088	LOCK WASHER	2	2	2	
5	08322-21088	WASHER	2	2	2	
6-1	47211-21001-797	COVER, frame LH	1	-	-	
6-2	47211-21001-00U	COVER, frame LH	1	1	1	
6-3	47211-21001-05H	COVER, frame LH	-	1	1	
7	47130-01001	KNOB, frame cover	1	-	-	to 47130-01002
8	09152-06002	NUT	1	-	-	
9	47130-01002	KNOB, frame cover	-	1	1	
10	08310-22068	STOP, frame cover knob	-	1	1	
11	68141-22630	EMBLEM, SUZUKI	1	-	-	
12	68131-46100	EMBLEM	-	2	2	
13	68363-26200	LAVEL, company name	2	-	-	

FIG.25 STAND - BRAKE PEDAL

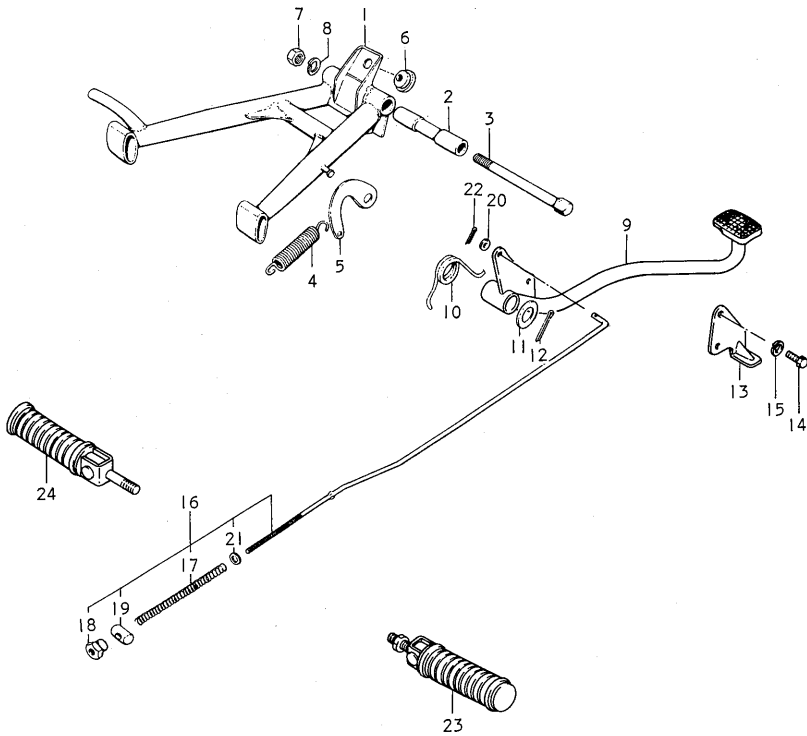


FIG.25 STAND - BRAKE PEDAL

Ref.No.	Part No.	Description	Q'ty			Remarks
			M	B	DB	
1	42100-22200	STAND, center	1	1	1	
2	42211-03001	SPACER	1	1	1	
3	09100-10018	BOLT	1	1	1	10x107
4	09443-16002	SPRING	1	1	1	
5	42251-03002	HOOK, spring	1	1	1	
6	09321-10001	CUSHION	1	1	1	
7	08310-12108	NUT	1	1	1	
8	08321-21108	LOCK WASHER	1	1	1	
9	43110-22600	PEDAL, brake	1	1	1	
10	09448-31010	SPRING	1	1	1	
11	09160-15002	WASHER	1	1	1	15.5x26x2.3
12	04111-30308	COTTER PIN	1	1	1	
13	43221-22600	STOPPER, brake pedal	1	1	1	
14	01107-08168	BOLT	1	1	1	
15	08321-21088	LOCK WASHER	1	1	1	
16	43300-25000	BRAKE ROD ASSY	1	1	1	
17	09440-09004	•SPRING	1	1	1	
18	09150-06001	•NUT	1	1	1	
19	09209-11002	•PIN	1	1	1	
20	08322-21058	•WASHER	1	1	1	
21	08322-21068	•WASHER	1	1	1	
22	04111-20208	•COTTER PIN	1	1	1	
23	43600-03001	FOOTREST ASSY, pillion	1	1	1	
24	43600-22600	FOOTREST ASSY, pillion	1	1	1	

FIG.26 FUEL TANK

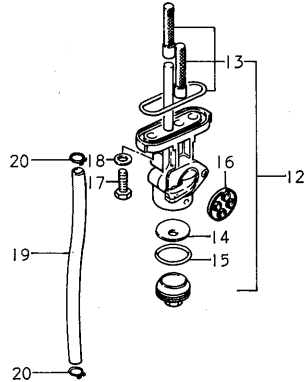
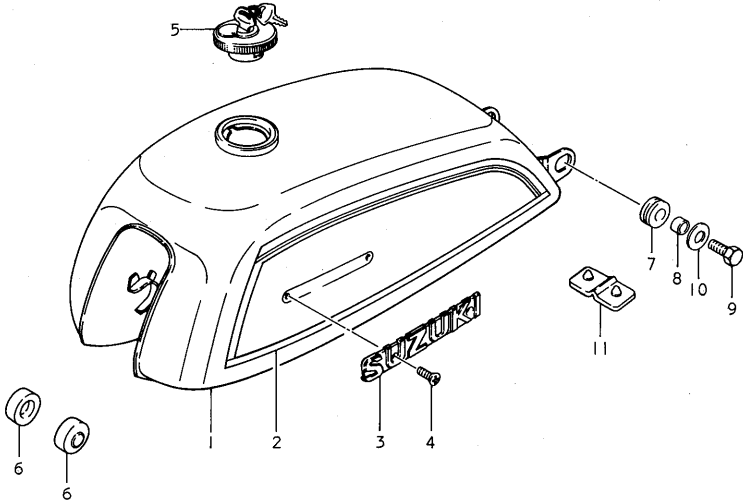


FIG.26 FUEL TANK

Ref.No.	Part No.	Description	Q'ty			Remarks
			M	B	DB	
1-1	44110-22670-797	TANK, fuel	1	-	-	
1-2	44110-22670-00U	TANK, fuel	1	-	-	
2	68101-22810-61K	TAPE SET, striping	1	-	-	
3	68111-34000	EMBLEM	2	-	-	
4	09127-03002	SCREW	4	-	-	
5	44200-36700	CAP, fuel tank	1	-	-	
6	09329-10005	CUSHION, front	2	2	2	
7	09320-09002	CUSHION, rear	2	2	2	
8	09180-06002	SPACER	2	2	2	6.8x10x7
9	01107-06168	BOLT	2	2	2	
10	09160-06004	WASHER	2	2	2	6.5x24x1.6
11	09321-05006	CUSHION	1	1	1	
12	44300-22571	COCK ASSY, fuel	1	1	1	
13	44300-28817	FILTER SET	1	1	1	
14	44344-28070	CLEANER	1	1	1	
15	44346-28070	GASKET, cup	1	1	1	
16	44341-28070	GASKET, lever	1	1	1	
17	09128-06006	BOLT	2	2	2	
18	09168-06010	GASKET	2	2	2	
19	09343-05037	HOSE, fuel	1	1	1	5x8.2x420
20	09401-08401	CLIP, fuel hose	2	2	2	

FIG.27 FUEL TANK

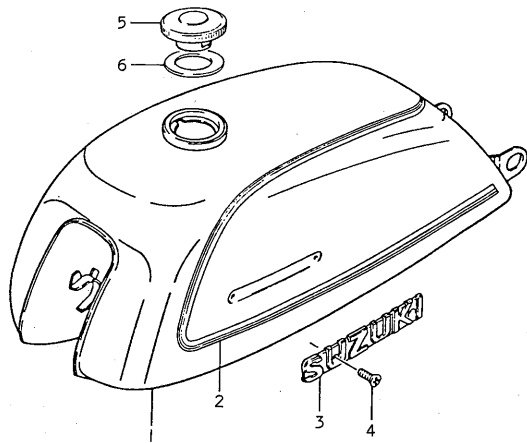


FIG.27 FUEL TANK

Ref.No.	Part No.	Description	Q'ty		Remarks
			B	DB	
1-1	44110-22680-00U	TANK, fuel	1	1	
1-2	44110-22680-05H	TANK, fuel	1	1	
2-1	68101-22820-61P	TAPE SET, striping	1	1	
2-2	68101-22820-61R	TAPE SET, striping	1	1	
3	68111-34000	EMBLEM	2	2	
4	09127-03002	SCREW	4	4	
5	44210-23300	CAP	1	1	
6	85413-70000	GASKET	1	1	

FIG.28 OIL TANK

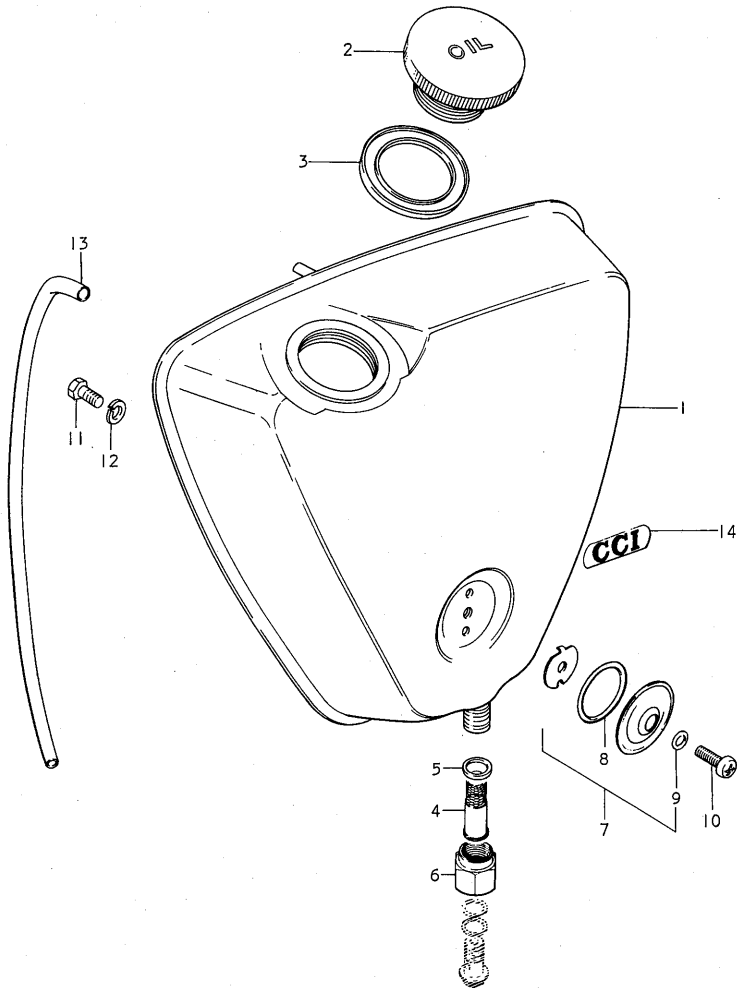




FIG.28 OIL TANK

Ref.No.	Part No.	Description	Q'ty			Remarks
			M	B	DB	
1-1	44610-21000-797	OIL TANK	1	-	-	
1-2	44610-21000-00U	OIL TANK	1	1	1	
1-3	44610-21000-05H	OIL TANK	-	1	1	
2	44651-11040	CAP, oil tank	1	1	1	
3	44661-11000	GASKET	1	1	1	35x46x3.5
4	44720-11030	NET, oil tank outlet strainer	1	1	1	
5	44733-11030	GASKET	1	1	1	8.2x13.5x2.5
6	09361-14001	NUT, joint	1	1	1	
7	44640-11843	LENS SET, oil inspection	1	1	1	
8	09280-23001	O RING	1	1	1	
9	09168-05001	GASKET	1	1	1	5x9.5x1.0
10	02112-05168	SCREW	1	1	1	
11	01107-06108	BOLT	3	3	3	
12	08321-21068	LOCK WASHER	3	3	3	
13	09344-05001	HOSE, breather	1	1	1	
14	68171-26000	EMBLEM, CCI	1	1	1	

FIG.29 FRONT FORK

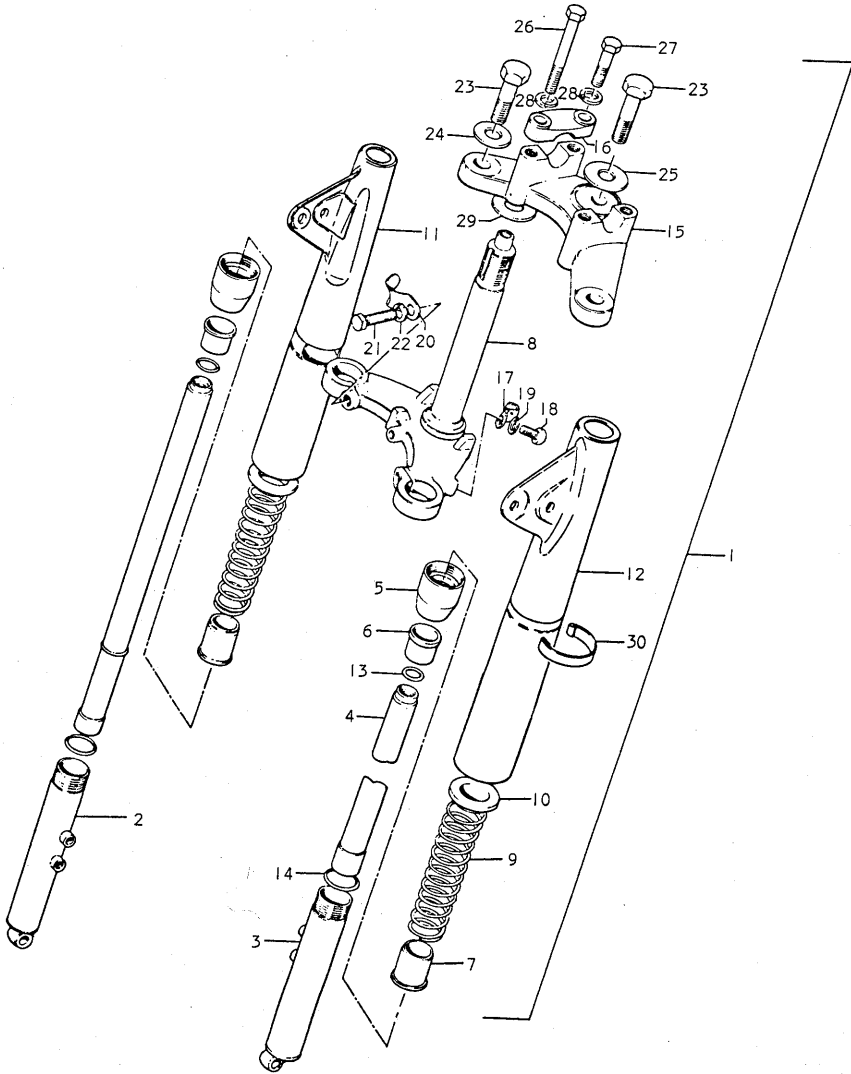


FIG.29 FRONT FORK

Ref.No.	Part No.	Description	Q'ty M	Remarks
1-1	51100-23312-797	FORK ASSY, front	1	
1-2	51100-23312-00U	FORK ASSY, front	1	
2	51130-22210	•OUTER TUBE, RH	1	
3	51140-22210	•OUTER TUBE, LH	1	
4	51110-23010	•INNER TUBE	2	
5	51150-03011	•OUTER TUBE NUT	2	
6	51152-03011	•SLIDE METAL	2	
7	51173-01210	•SPRING GUIDE, lower	2	
8	51410-22010	•STEM, steering	1	
9	51171-24900	•SPRING	2	
10	51172-23010	•SPRING GUIDE, upper	2	
11-1	51530-23311-797	•HEADLAMP BRACKET, RH	1	
11-2	51530-23311-00U	•HEADLAMP BRACKET, RH	1	
12-1	51540-23311-797	•HEADLAMP BRACKET, LH	1	
12-2	51540-23311-00U	•HEADLAMP BRACKET, LH	1	
13	51181-22010	•O RING	2	
14	51154-12011	•O RING	2	
15	51311-22210	•STEM HEAD, steering	1	
16	56211-27100	•HOLDER, handle	2	
17	51453-03010	•CLIP, stem rear	1	
18	02112-06108	•SCREW	1	
19	08321-21068	•LOCK WASHER	1	

FIG.29 FRONT FORK

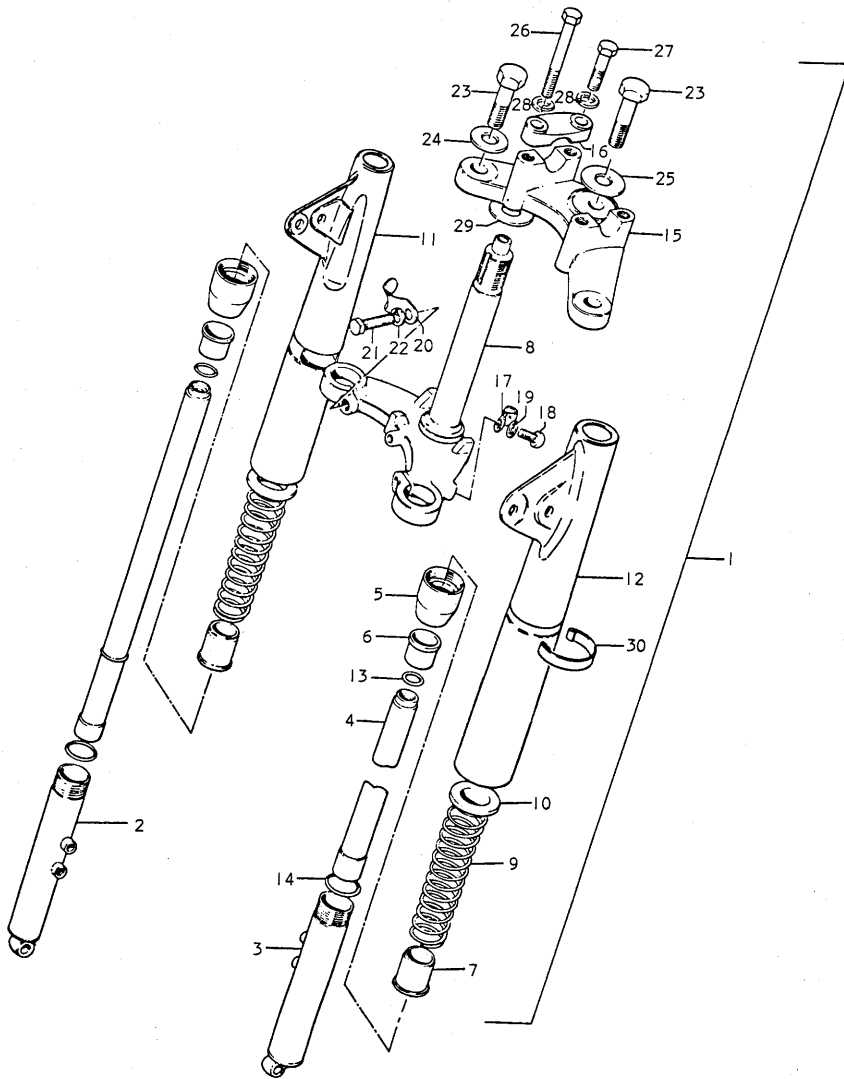


FIG.29 FRONT FORK

Ref.No.	Part No.	Description	Q'ty M	Remarks
20	51452-08010	•CLIP, stem front	1	
21	51451-03010	•BOLT	2	
22	08321-21108	•LOCK WASHER	2	
23	51351-20010	•BOLT, stem head	3	
24	51356-22011	•WASHER	2	
25	51356-22012	•WASHER	1	
26	01221-08757	•BOLT	2	
27	01204-08357	•BOLT	2	
28	08321-21088	•LOCK WASHER	4	
29	51357-22010	•WASHER	1	
30	51555-22010	•STEM COVER	2	

FIG.30 FRONT FORK

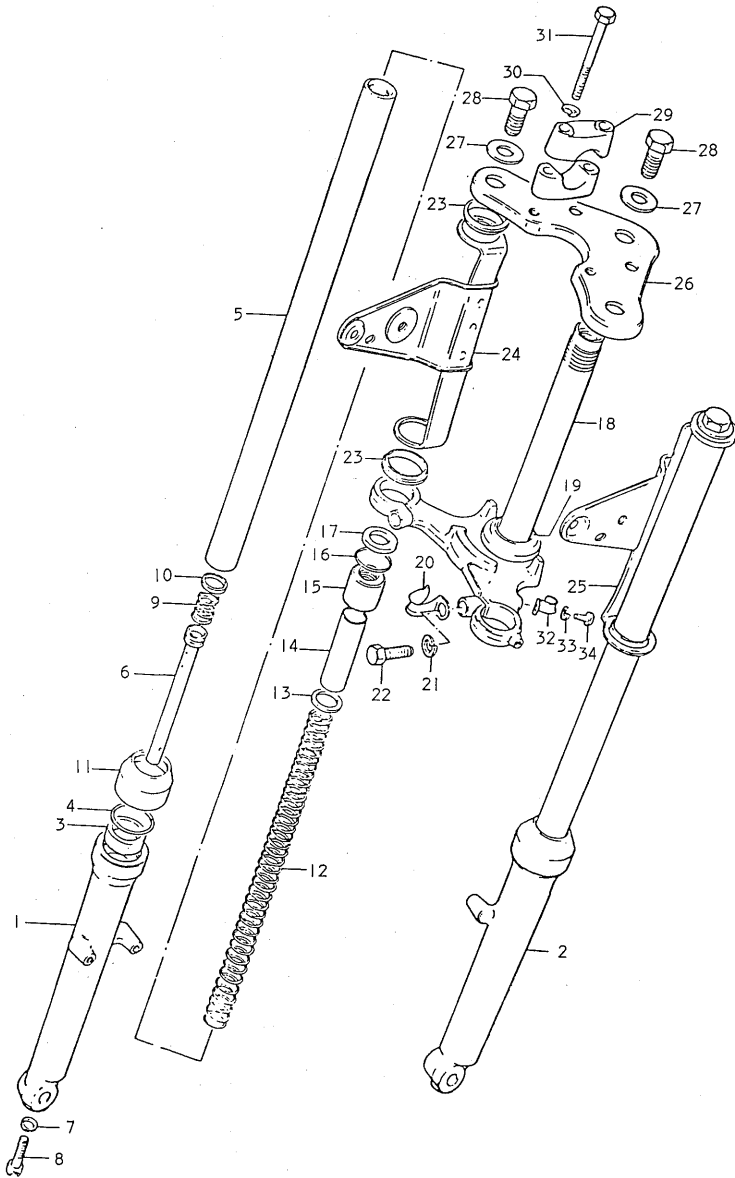


FIG.30 FRONT FORK

Ref.No.	Part No.	Description	Q'ty B	Remarks
	51100-23700-291	FORK ASSY, front	1	
1	51131-23680	• OUTER TUBE, RH	1	
2	51141-23680	• OUTER TUBE, LH	1	
3	51153-46100	• OIL SEAL	2	
4	51156-46100	• STOPPER RING, oil seal	2	
5	51110-23640	• FORK PIPE	2	
6	51146-23640	• SEAT PIPE	2	
7	51148-31030	• GASKET	2	
8	51147-31030	• BOLT	2	
9	51177-46100	• REBOUND SPRING	2	
10	51196-46100	• PISTON RING	2	
11	51571-46100	• DUST SEAL	2	
12	51171-23640	• SPRING	2	
13	51192-46100	• SEAT, spring	2	
14	51176-46100	• COLOR, spring	2	
15	51172-46100	• SEAT, spring	2	
16	51169-46100	• STOPPER RING	2	
17	51181-22011	• GASKET	2	
18	51410-23640	• STEERING STEM	1	
19	51622-20001	• • OUTER RACE	1	
20	51452-08030	• CLIP	1	
21	08321-21108	• LOCK WASHER	2	
22	01107-10308	• BOLT	2	
23	51553-46100	• CUSHION	4	

FIG.30 FRONT FORK

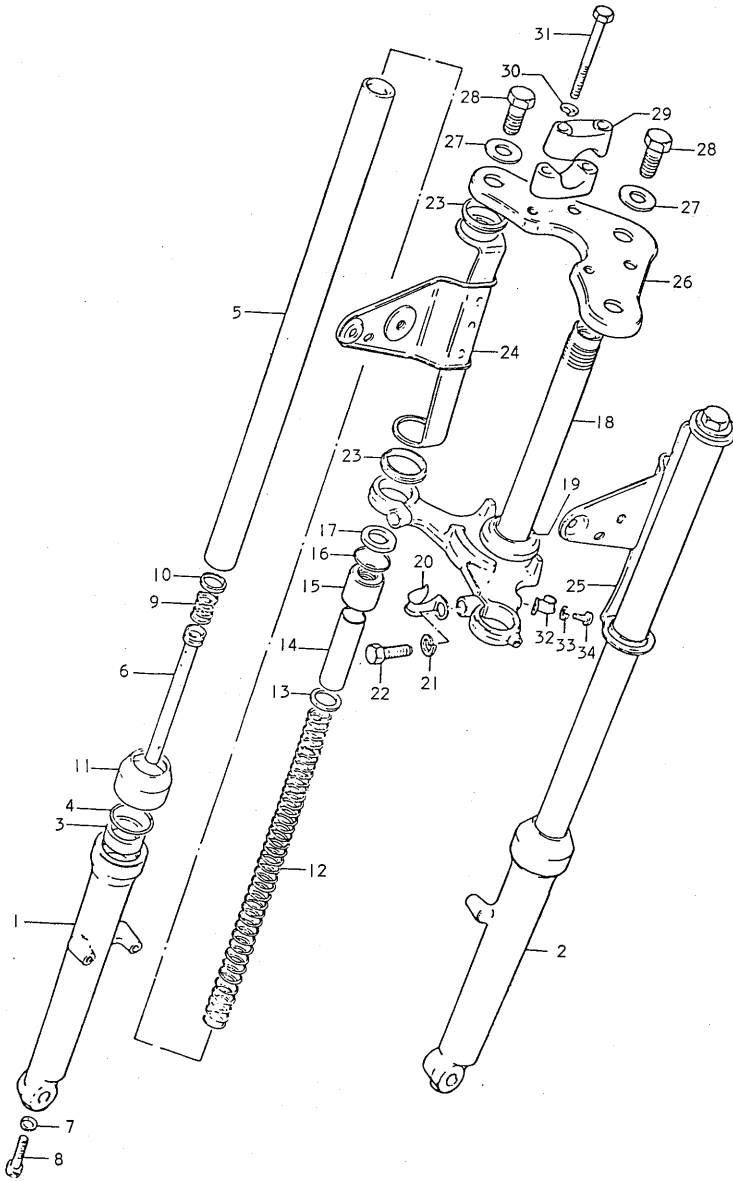




FIG.30 FRONT FORK

Ref.No.	Part No.	Description	Q'ty B	Remarks
24	51530-23670-291	·BRACKET, headlamp RH	1	
25	51540-23670-291	·BRACKET, headlamp LH	1	
26	51310-23640-291	·STEERING STEM HEAD	1	
27	51357-22030	·WASHER	3	
28	51352-46100	·BOLT	3	
29	56211-27130-291	·HOLDER, handle	4	
30	08321-21088	·LOCK WASHER	4	
31	01107-08558	·BOLT	4	
32	51542-05130	·CLIP	1	
33	08321-21068	·LOCK WASHER	1	
34	02112-06128	·SCREW	1	

FIG.31 FRONT FORK

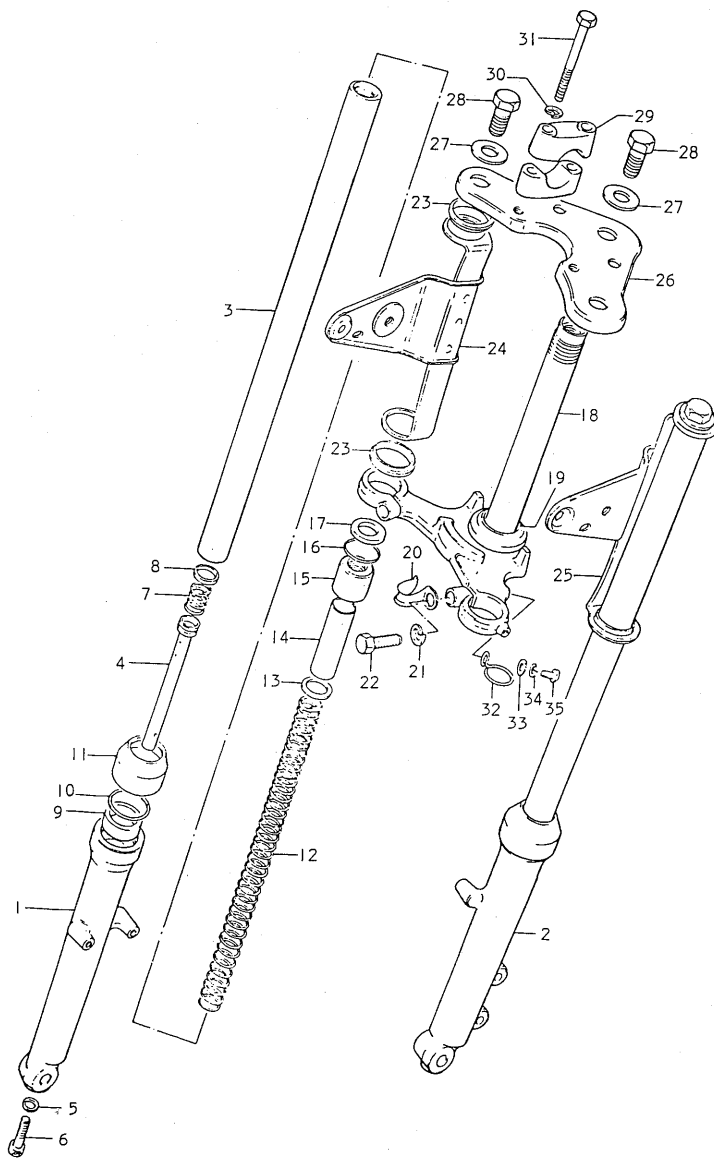


FIG. 31 FRONT FORK

Ref.No.	Part No.	Description	Q'ty DB	Remarks
	51100-23670-291	FORK ASSY, front	1	
1	51131-23640	•OUTER TUBE, RH	1	
2	51141-23640	•OUTER TUBE, LH	1	
3	51110-23640	•FORK PIPE	2	
4	51146-23640	•SEAT PIPE	2	
5	51148-31030	•GASKET	2	
6	51147-31030	•BOLT	2	
7	51177-46100	•REBOUND SPRING	2	
8	51196-46100	•PISTON RING	2	
9	51153-46100	•OIL SEAL	2	
10	51156-46100	•STOPPER RING, oil seal	2	
11	51571-46100	•DUST SEAL	2	
12	51171-23640	•SPRING	2	
13	51192-46100	•SEAT, spring	2	
14	51176-46100	•COLOR, spring	2	
15	51172-46100	•SEAT, spring	2	
16	51169-46100	•STOPPER RING	2	
17	51181-22011	•GASKET	2	
18	51410-23640	•STEERING STEM	1	
19	51622-20001	••OUTER RACE	1	
20	51452-08030	•CLIP	2	
21	08321-21108	•LOCK WASHER	2	
22	01107-10308	•BOLT	2	
23	51553-46100	•CUSHION	4	

FIG.31 FRONT FORK

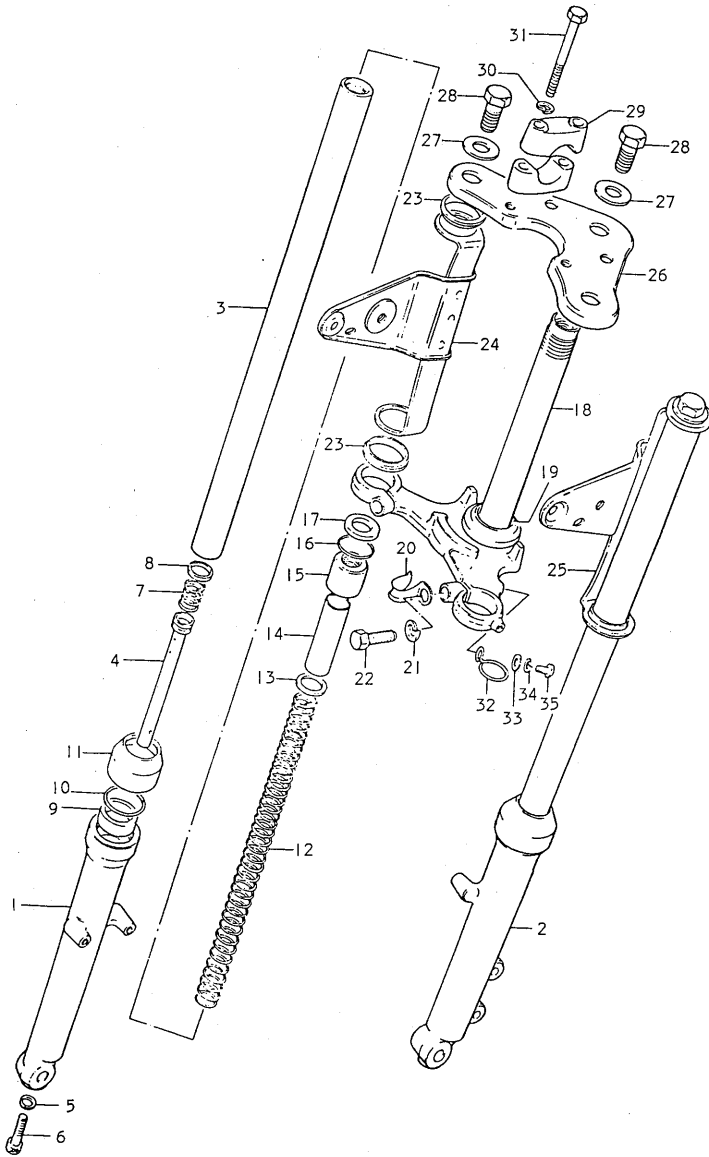


FIG. 31 FRONT FORK

Ref.No.	Part No.	Description	Q'ty DB	Remarks
24	51530-23670-291	•BRACKET, headlamp RH	1	
25	51540-23670-291	•BRACKET, headlamp LH	1	
26	51310-23640-291	•STEERING STEM HEAD	1	
27	51357-22030	•WASHER	3	
28	51352-46100	•BOLT	3	
29	56211-27130-291	•HOLDER, handle	4	
30	08321-21088	•LOCK WASHER	4	
31	01107-08558	•BOLT	4	
32	51452-46100	•CLIP	1	
33	08322-21068	•WASHER	1	
34	08321-21068	•LOCK WASHER	1	
35	02112-06128	•SCREW	1	

FIG.32 FENDER

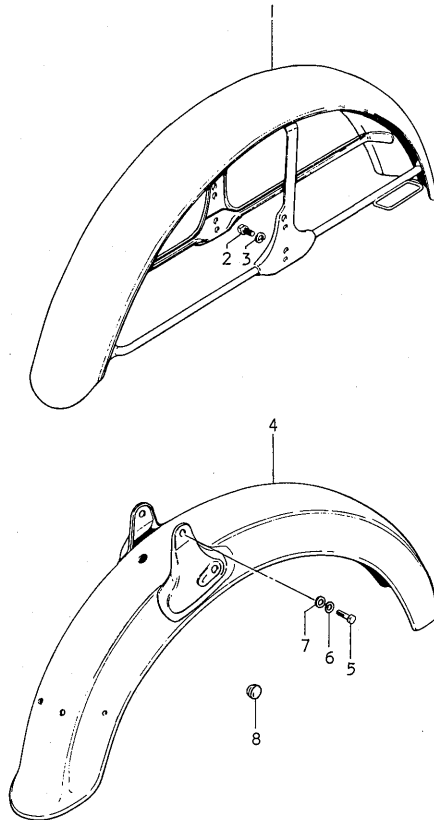


FIG.32 FENDER

Ref.No.	Part No.	Description	Q'ty	Remarks
1	53110-03660	FENDER, front	1	Chrome-plated
2	01107-06108	BOLT	4	
3	08321-21068	LOCK WASHER	4	
4	63110-22610	FENDER, rear	1	
5	01107-06128	BOLT	2	
6	08321-21068	LOCK WASHER	2	
7	08322-21068	WASHER	2	
3	09250-07001	CAP, rear fender	2	

FIG.33 FENDER

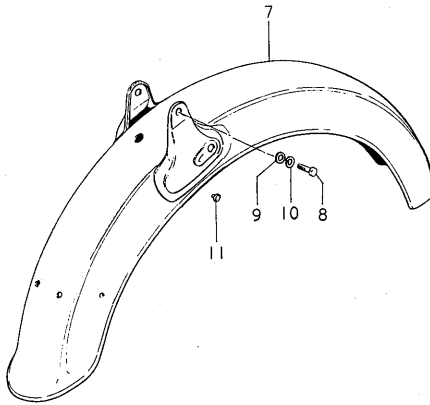
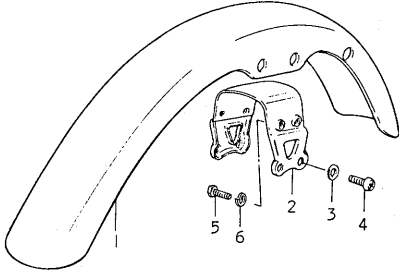




FIG. 33 FENDER

Ref.No.	Part No.	Description	Q'ty	Remarks
1	53111-46630-126	FENDER, front	1	
2	53112-46100	BRACE, front fender	1	
3	08322-21068	WASHER	4	
4	02112-06068	SCREW	4	
5	01107-06128	BOLT	4	
6	08321-21068	LOCK WASHER	4	
7	63110-22619-126	FENDER, rear	1	
8	01107-06128	BOLT	2	
9	08322-21068	WASHER	2	
10	08321-21068	LOCK WASHER	2	
11	09250-07001	CAP, rear fender	2	

FIG.34 FENDER

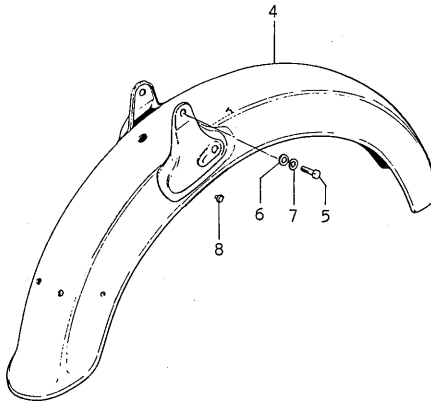
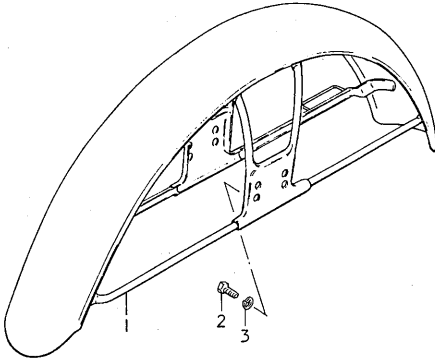


FIG.34 FENDER

Ref.No.	Part No.	Description	Q'ty DB	Remarks
1	53110-22610	FENDER, front	1	
2	01107-06108	BOLT	4	
3	08321-21068	LOCK WASHER	4	
4	63110-22609	FENDER, rear	1	
5	01107-06128	BOLT	2	
6	08322-21068	WASHER	2	
7	08321-21068	LOCK WASHER	2	
8	09250-07001	CAP, rear fender	2	

FIG.35 FRONT WHEEL

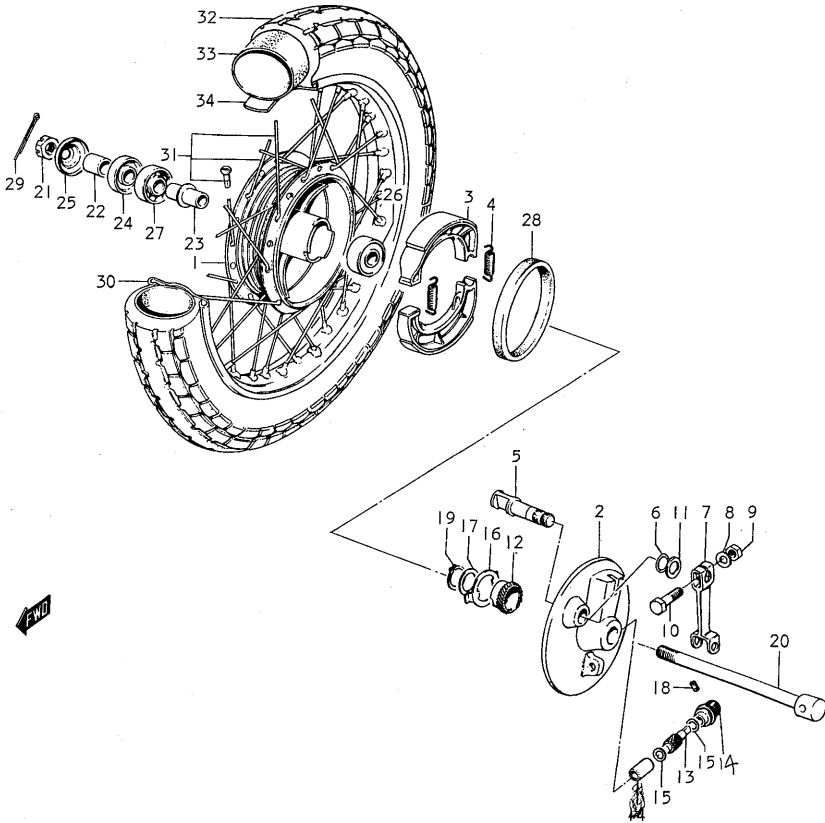


FIG.35 FRONT WHEEL

Ref.No.	Part No.	Description	Q'ty M	Remarks
1	54110-01004	DRUM, hub	1	
2	54210-03006	PANEL, hub	1	
3	54410-01005	SHOE, brake	2	
4	09443-07001	SPRING	2	
5	54441-01002	CAM SHAFT, brake	1	
6	09280-12001	DUST SEAL, cam shaft	1	
7	54451-03002	LEVER, brake cam	1	
8	08322-21068	WASHER	1	
9	08310-11068	NUT	1	
10	09100-06050	BOLT	1	6x31
11	09160-12011	WASHER	1	12.5x20x1
12	54611-03000	GEAR, speedometer	1	
13	54621-03000	PINION, speedometer	1	
14	54632-01001	BUSHING, pinion outer	1	
15	09160-05001	THRUST WASHER	2	5.1x9x0.4
16	54661-03000	DRIVER, speedometer	1	
17	09160-16005	THRUST WASHER	1	16x22x1
18	09134-03101	SCREW, pinion bushing	1	
19	08331-11159	CIRCLIP	1	
20	54711-03601	AXLE, front	1	
21	08314-31108	NUT	1	
22	09180-10003	SPACER, axle LH	1	10x15x12.4

FIG.35 FRONT WHEEL

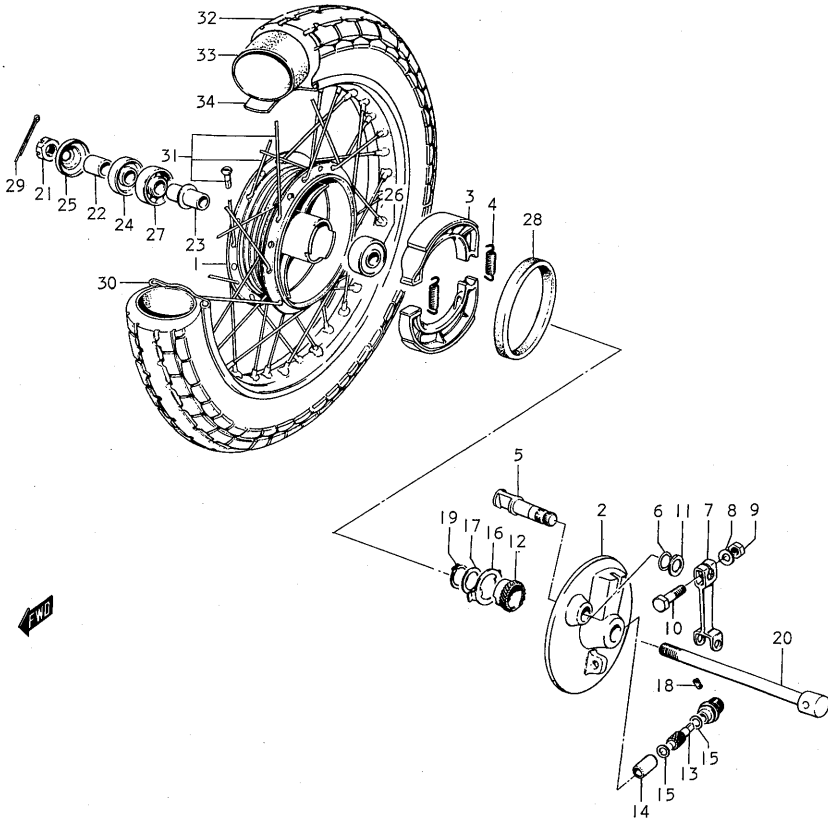


FIG.35 FRONT WHEEL

Ref.No.	Part No.	Description	Q'ty M	Remarks
23	54730-01000	SPACER, hub bearing	1	
24	09284-15001	OIL SEAL, hub	1	
25	54892-01000	COVER, hub RH	1	
26	08143-63000	BEARING, hub LH	1	
27	08113-62000	BEARING, hub RH	1	
28	09285-43001	OIL SEAL, panel	1	
29	04111-20308	COTTER PIN	1	
30	55311-01020	RIM, wheel	1	1.20x17
31	55301-01812	SPOKE SET, front	1	
32	55100-01011	TIRE, front	1	2.25-17
33	55200-01011	TUBE, inner	1	2.25-17
34	55261-01010	PROTECTOR, inner tube	1	18x17

FIG.36 FRONT WHEEL

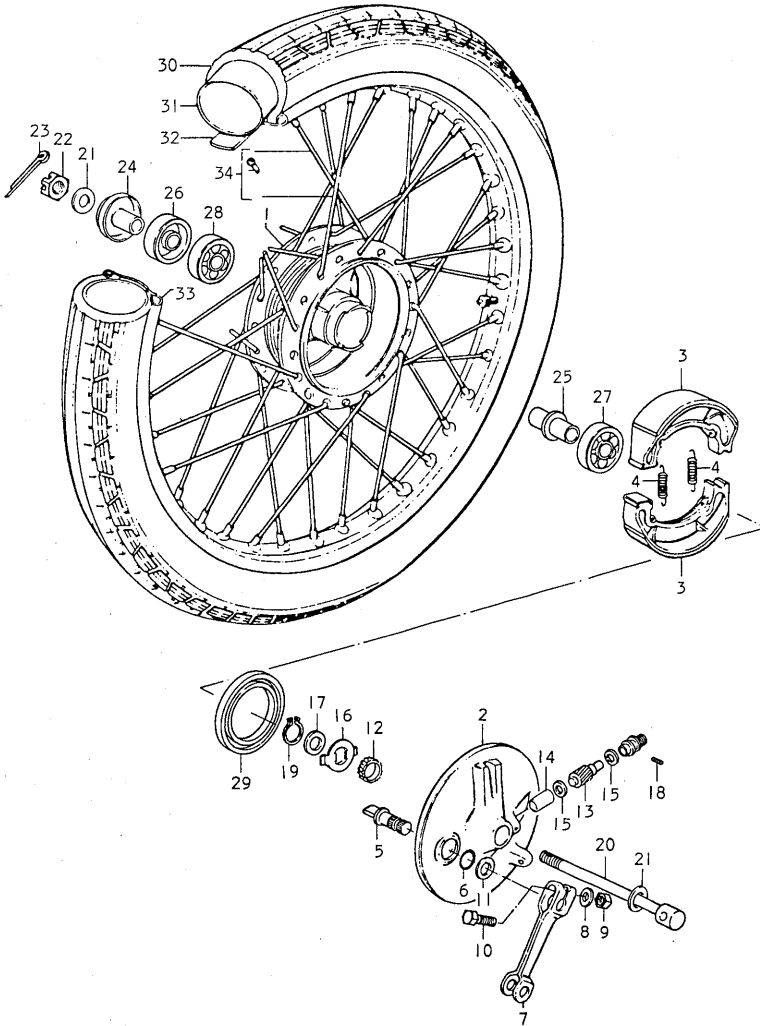




FIG.36 FRONT WHEEL

Ref.No.	Part No.	Description	Q'ty B	Remarks
1	54110-46110	HUB, front wheel	1	
2	54210-46110	PANEL, front brake	1	
3	54410-43000	SHOE, brake	2	
4	09443-07001	SPRING	2	
5	54441-29300	CAM, brake	1	
6	09280-14003	DUST SEAL	1	
7	54451-46110	LEVER, brake cam	1	
8	08322-21068	WASHER	1	
9	08310-11068	NUT	1	
10	09100-06078	BOLT	1	
11	09160-14001	WASHER, dust seal	1	
12	54611-03001	GEAR, speedometer	1	
13	54621-03000	PINION, speedometer	1	
14	54632-01001	BUSHING	1	
15	09160-05001	THRUST WASHER	2	5.1x9x0.4
16	54661-03000	DRIVER, drive gear	1	
17	09160-16005	THRUST WASHER	1	
18	09134-03101	SCREW	1	
19	08331-11159	CIRCLIP	1	
20	54711-26100	AXLE, front	1	
21	08322-11108	WASHER	2	
22	08314-31108	NUT	1	
23	04111-20308	COTTER PIN	1	
24	54740-26100	SPACER, axle RH	1	
25	54730-01000	SPACER, hub	1	

FIG.36 FRONT WHEEL

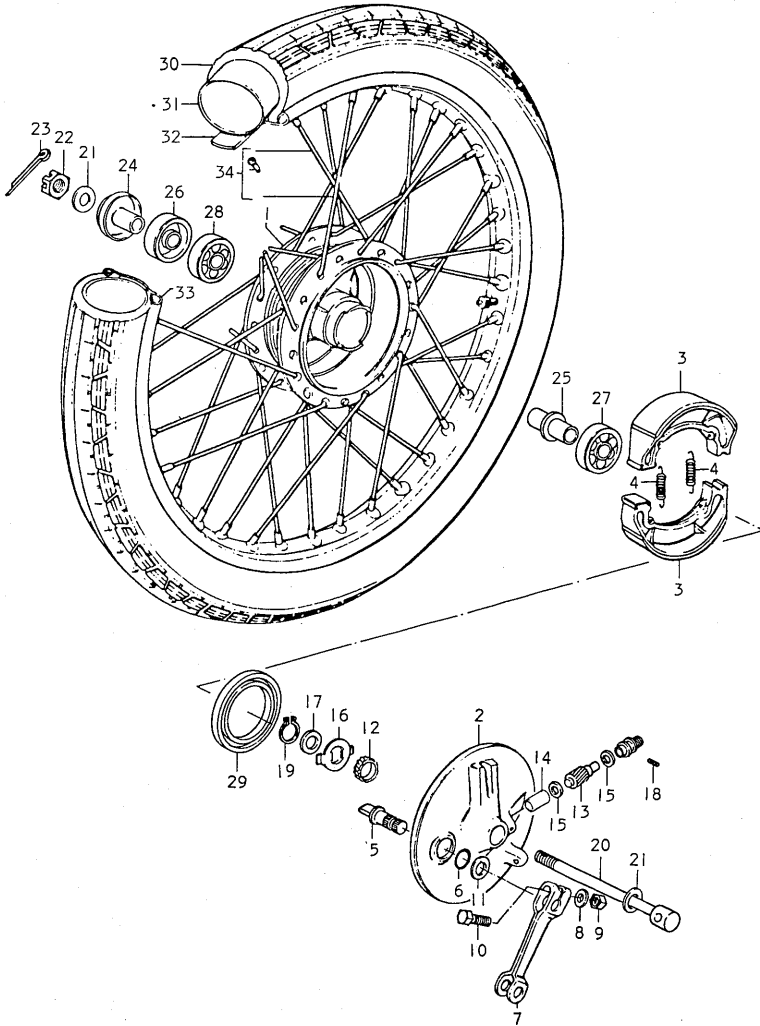


FIG.36 FRONT WHEEL

Ref.No.	Part No.	Description	Q'ty B	Remarks
26	09284-15001	OIL SEAL	1	15x31x9.5
27	08143-63000	BEARING, LH	1	
28	08113-62000	BEARING, RH	1	
29	09285-43001	OIL SEAL	1	43x58x7
30	55100-01011	TIRE	1	2.25-17
31	55200-01011	TUBE, inner	1	2.25-17
32	55261-01010	PROTECTOR	1	
33	55311-01020	RIM, wheel	1	
34	55301-01812	SPOKE SET	1	

FIG.37 FRONT WHEEL

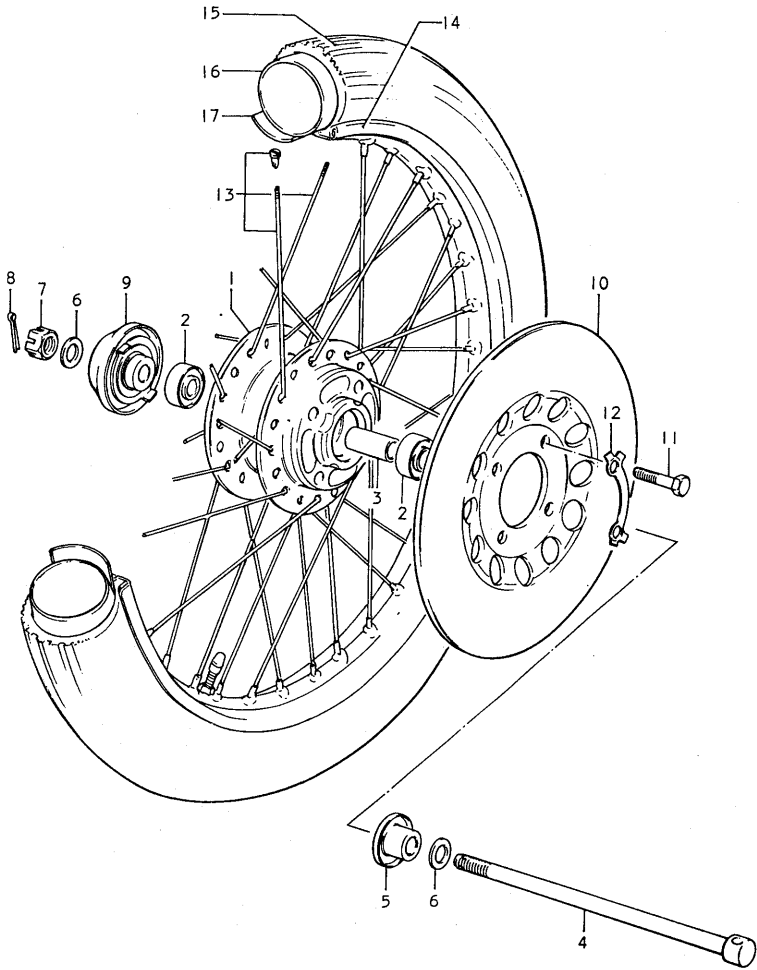


FIG.37 FRONT WHEEL

Ref.No.	Part No.	Description	Q'ty DB	Remarks
1	54111-46100	HUB, front	1	
2	08123-63000	BEARING	2	
3	09180-10005	SPACER	1	
4	54711-26100	AXLE, front	1	
5	54750-46100	SPACER	1	
6	08322-11108	WASHER	2	
7	08314-31108	NUT	1	
8	04111-20308	COTTER PIN	1	
9	54600-46100	BOX, speedometer gear	1	
10	59211-46100	BRAKE, disk	1	
11	09100-08094	BOLT	4	
12	09169-08019	WASHER	2	
13	55300-46810	SPOKE SET	1	
14	55311-22600	RIM, wheel	1	
15	55100-01011	TIRE	1	2.25-17
16	55200-01011	TUBE, inner	1	2.25-17
17	55261-01010	PROTECTOR, inner tube	1	

FIG.38 HANDLEBAR - CONTROL CABLE

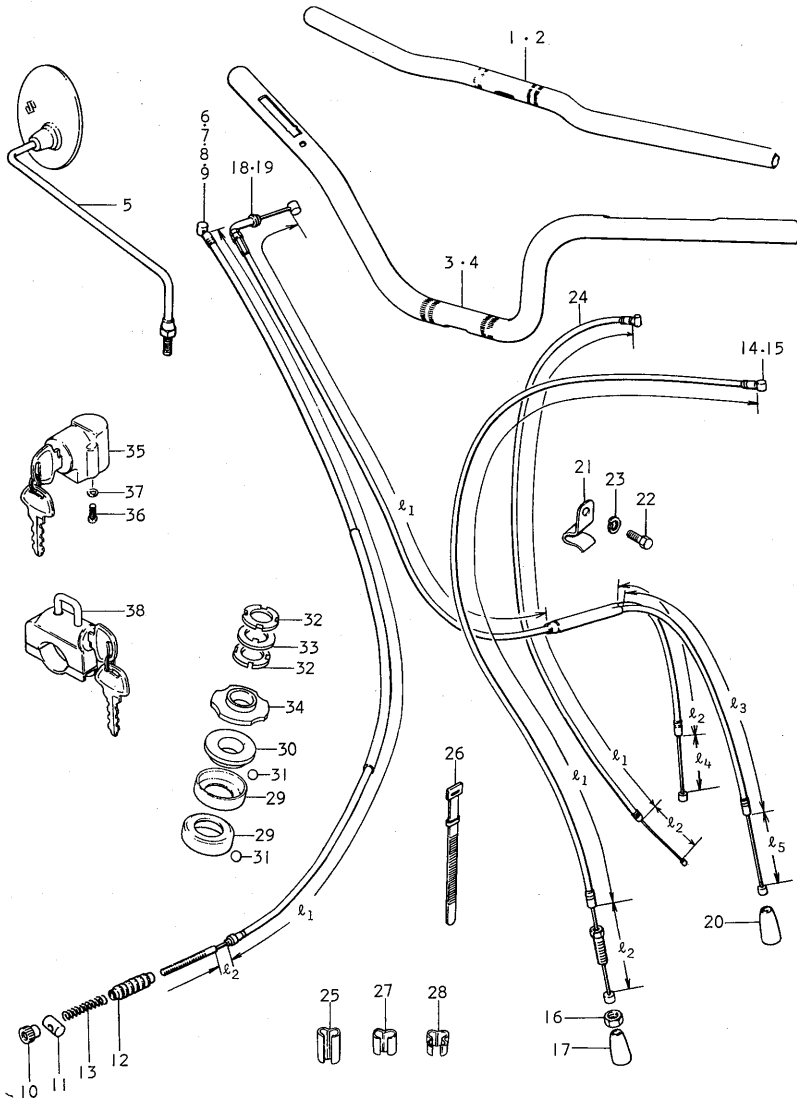


FIG.38 HANDLEBAR - CONTROL CABLE

Ref.No.	Part No.	Description	Q'ty			Remarks
			M	B	DB	
1	56111-22700	HANDLEBAR	1	-	-	Flat Handle
2	56111-20001	HANDLEBAR	-	1	1	Flat Handle
3	56111-20710	HANDLEBAR	1	-	-	Semi Western
4	56111-20712	HANDLEBAR	-	1	1	Semi Western
5	56500-19010	MIRROR ASSY, rear view	1	1	1	
6	58100-03731	CABLE ASSY, brake	1	1	-	For Semi Western
7-1	58110-03751	CABLE ASSY, brake	1	-	-	For Flat
7-2	58100-07721	CABLE ASSY, brake	-	1	-	For Flat
8	58100-22600	CABLE ASSY, brake	-	-	1	For Semi Western
9	58100-22610	CABLE ASSY, brake	-	-	1	For Flat
10	09150-05101	•NUT	1	1	1	
11	09209-10001	•PIN	1	1	1	
12	09287-07001	•BOOT	1	1	1	
13	09440-06003	•SPRING	1	1	1	
14	58200-07001	CABLE ASSY, clutch	1	1	1	For Flat
15	58200-05710	CABLE ASSY, clutch	1	1	1	For Semi Western
16	08312-11088	•NUT	1	1	1	
17	09287-07002	•BOOT	1	1	1	
18	58300-22600	CABLE ASSY, throttle	1	1	1	For Flat
19-1	58300-05730	CABLE ASSY, throttle	1	-	-	For Semi Western
19-2	58300-22630	CABLE ASSY, throttle	-	1	1	For Semi Western
20	09287-07002	BOOT, throttle cable	1	1	1	
21	09403-09304	CLAMP, throttle cable connector	1	1	1	
22	01107-06108	BOLT	1	1	1	
23	08321-21068	LOCK WASHER	1	1	1	

FIG.38 HANDLEBAR - CONTROL CABLE

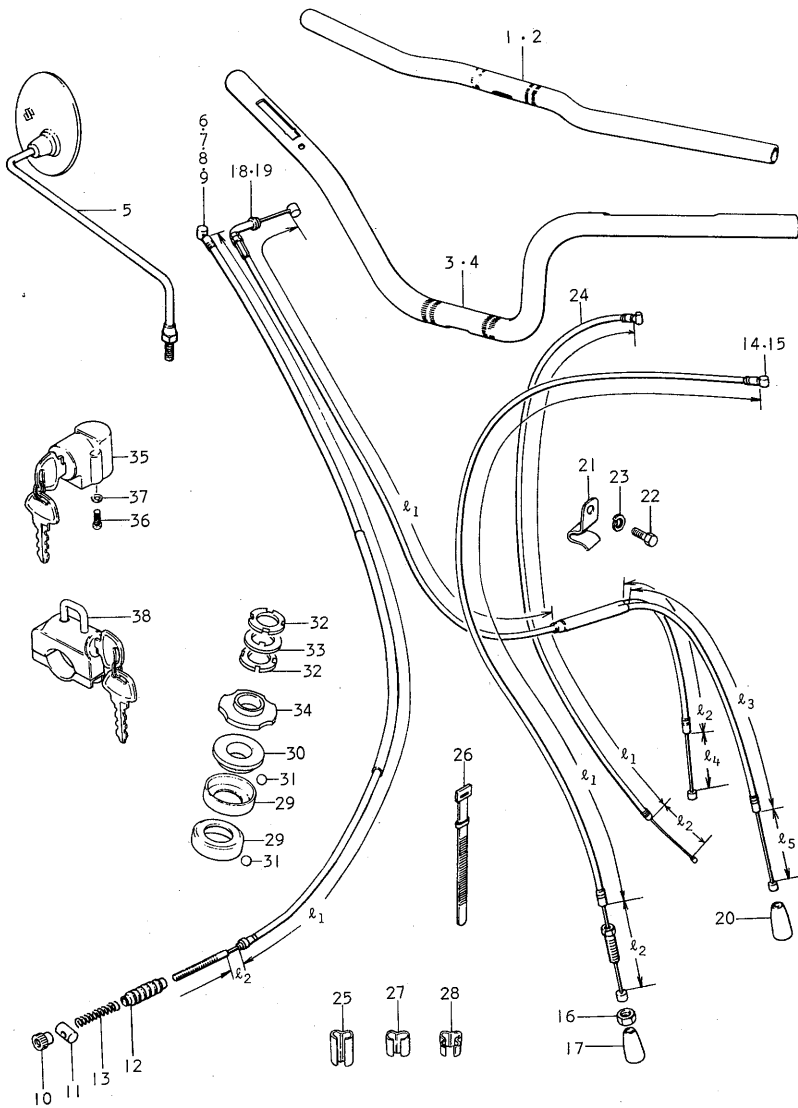




FIG.38 HANDLEBAR - CONTROL CABLE

Ref.No.	Part No.	Description	Q'ty			Remarks
			M	B	DB	
24	58410-01751	CABLE, starter	1	1	1	For Flat & Semi Western
25	09408-00001	CLIP	2	-	-	
26	09407-06401	CLIP	-	2	2	
27	09408-00002	CLIP	1	1	1	
28	09408-00014	CLIP	1	1	1	
29	51611-20002	RACE, steering inner	2	2	2	
30	51621-25000	RACE, steering upper outer	1	1	1	
31	06111-06003	STEEL BALL	44	44	44	
32	51631-05000	NUT, stem	2	1	1	
33	09166-24001	WASHER	1	-	-	
34	51643-06001	DUST SEAL	1	1	1	
35	51910-25310	LOCK ASSY, steering	1	1	1	
36	02112-05128	SCREW	2	2	2	
37	08321-21058	LOCK WASHER	2	2	2	
38	90001-31817	LOCK ASSY, helmet	1	1	1	

FIG.39 GRIP - HANDLE SWITCH

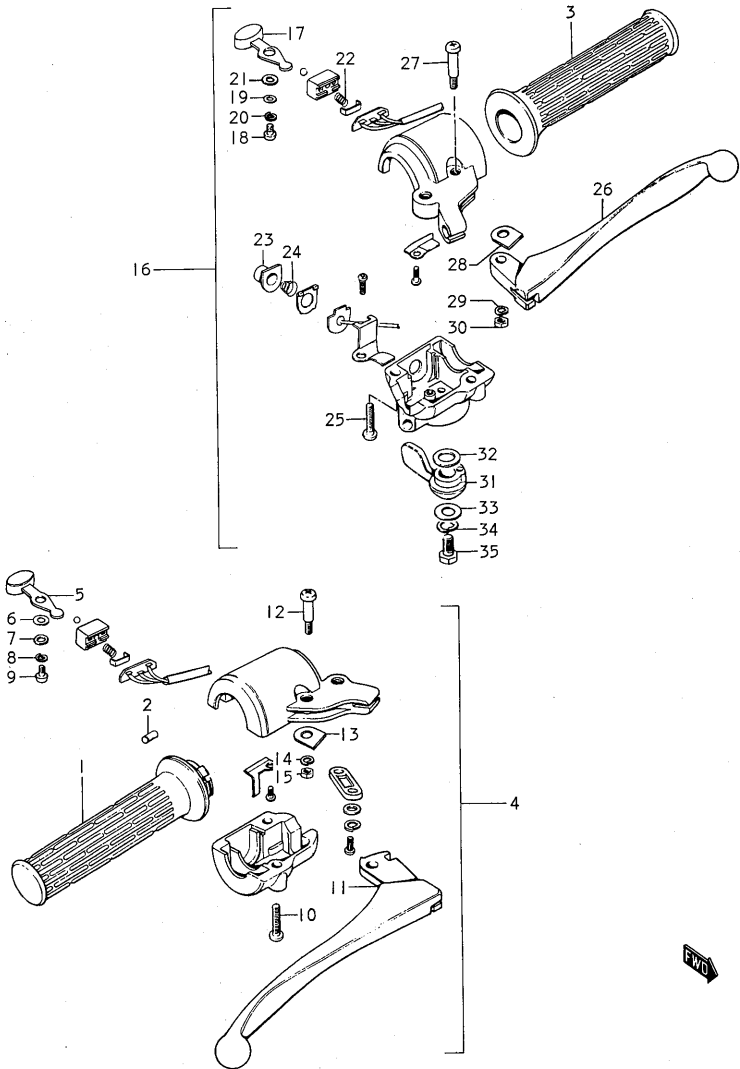


FIG. 39 GRIP - HANDLE SWITCH

Ref.No.	Part No.	Description	Q'ty			Remarks
			M	B	DB	
1	57110-20010	GRIP ASSY, throttle	1	1	1	
2	58631-07010	PIECE	1	1	1	
3	57211-20010	GRIP ASSY, LH	1	1	1	
4	57300-20713	BRAKE LEVER & RH SWITCH ASSY	1	1	1	
5	57320-01011	•KNOB, dimmer switch	1	1	1	
6	57334-01010	•WASHER, spring	1	1	1	
7	08322-21038	•WASHER	1	1	1	
8	08321-21038	•LOCK WASHER	1	1	1	
9	09125-03103	•SCREW	1	1	1	
10	09125-05105	•SCREW	2	2	2	
11	57421-27210	•LEVER, brake	1	1	1	
12	57431-01011	•BOLT, pivot	1	1	1	
13	57435-20010	•SPACER, lever	1	1	1	
14	08321-21058	•LOCK WASHER	1	1	1	
15	08310-11058	•NUT	1	1	1	

FIG.39 GRIP - HANDLE SWITCH

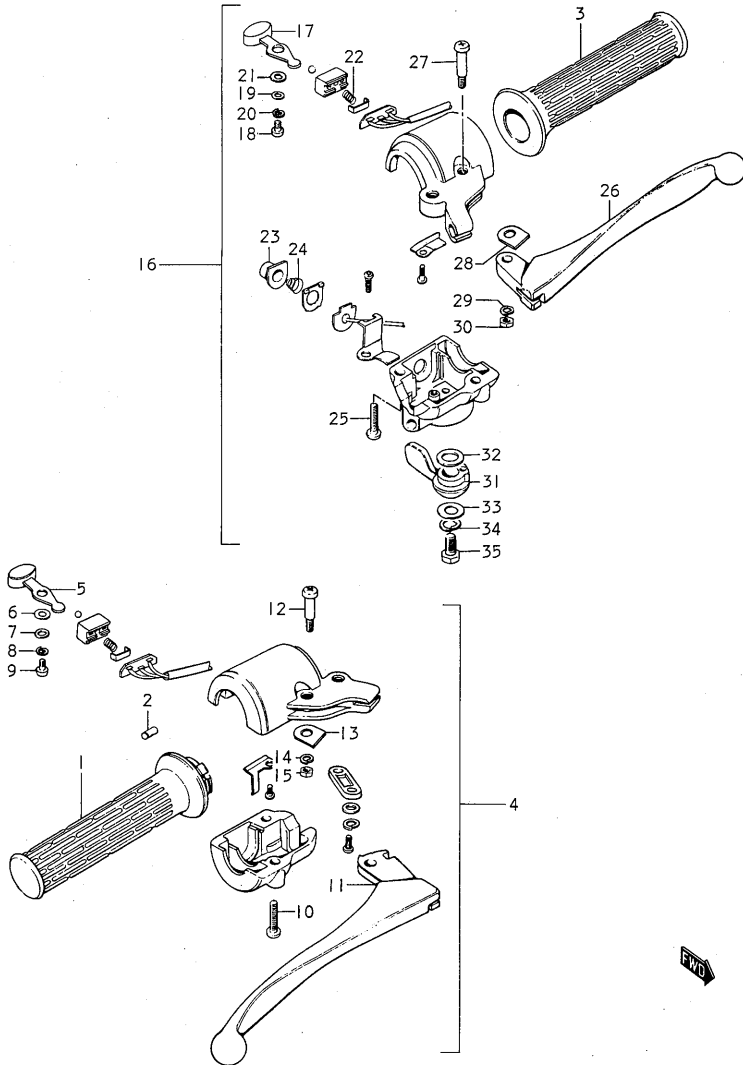


FIG.39 GRIP - HANDLE SWITCH

Ref.No.	Part No.	Description	Q'ty			Remarks
			M	B	DB	
16	57500-21012	CLUTCH LEVER & LH SWITCH ASSY	1	1	1	
17	57320-01011	•KNOB	1	1	1	
18	09125-03103	•SCREW	1	1	1	
19	08322-21038	•WASHER	1	1	1	
20	08321-21038	•LOCK WASHER	1	1	1	
21	57334-01010	•WASHER, spring	1	1	1	
22	57337-01010	•SPRING	1	1	1	
23	57370-01311	•BUTTON, horn	1	1	1	
24	57382-01311	•SPRING, horn button	1	1	1	
25	09125-05105	•SCREW	2	2	2	
26	57621-27210	•LEVER, clutch	1	1	1	
27	57431-01011	•SCREW, pivot	1	1	1	
28	57435-20010	•SPACER, lever	1	1	1	
29	08321-21058	•LOCK WASHER	1	1	1	
30	08310-11058	•NUT	1	1	1	
31	58721-25611	•LEVER, starter	1	1	1	
32	58722-03010	•WASHER, spring	1	1	1	
33	58723-03010	•WASHER	1	1	1	
34	08321-21068	•LOCK WASHER	1	1	1	
35	01107-06128	•BOLT	1	1	1	

FIG.40 CALIPAS

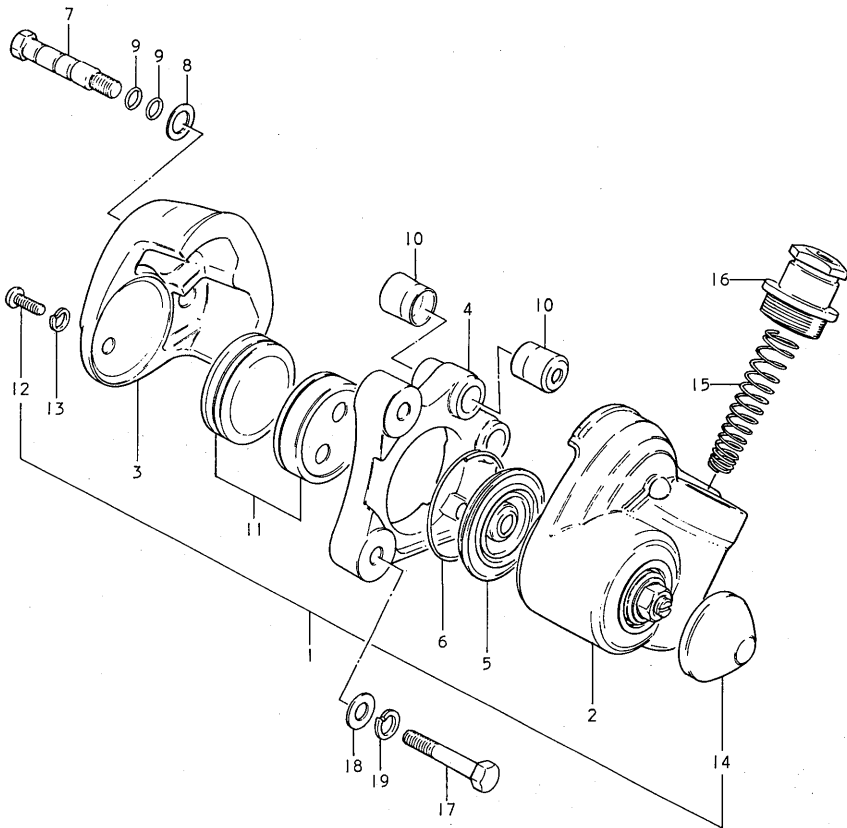


FIG.40 CALIPAS

Ref.No.	Part No.	Description	Q'ty DB	Remarks
1	59300-46100	CALIPAS ASSY, LH	1	
2	59360-46100	·HOUSING ASSY, calipas No.1	1	
3	59371-46100	·HOUSING, calipas No.2	1	
4	59150-46100	·HOLDER, calipas LH	1	
5	59308-46100	·BOOT	1	
6	59309-46100	·CLIP	1	
7	59305-46100	·AXLE	2	
8	59306-46100	·WASHER	2	
9	59111-18410	·O RING	4	
10	59112-18410	·DUST COVER	4	
11	59300-46810	·PAD SET	1	
12	02112-06108	·SCREW	1	
13	08321-21068	·LOCK WASHER	1	
14	59381-46100	·BOOT	1	
15	59372-46100	·SPRING, lever return	1	
16	59373-46100	·PLUG, brake cable	1	
17	09104-08014	BOLT	2	
18	08322-21088	WASHER	2	
19	08321-31088	LOCK WASHER	2	

FIG.41 REAR SWINGING ARM

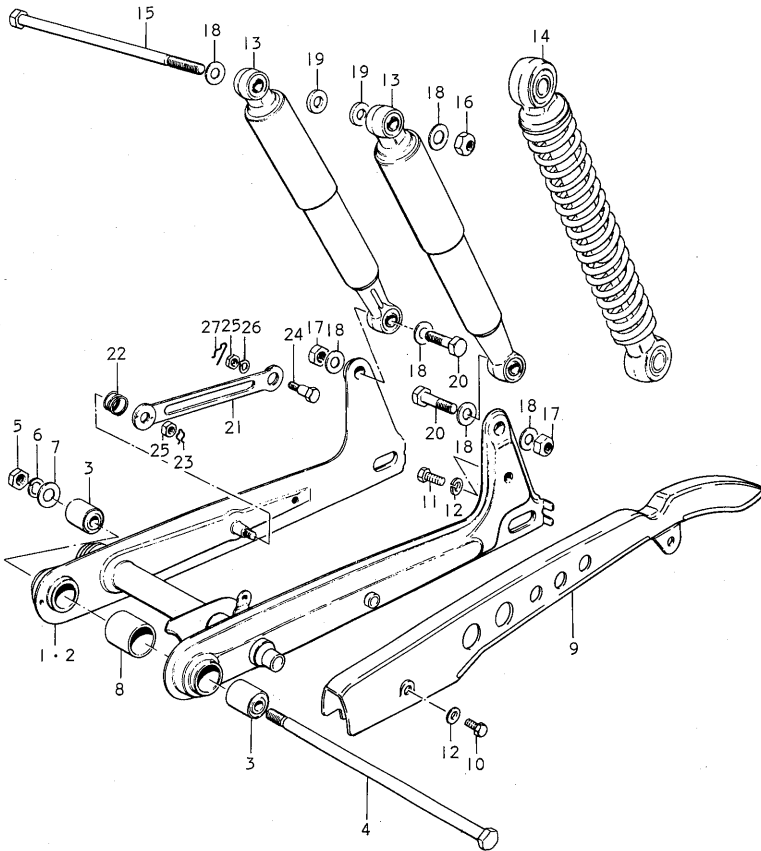




FIG.41 REAR SWINGING ARM

Ref.No.	Part No.	Description	Qty			Remarks
			M	B	DB	
1	61100-22830-019	SWINGING ARM SET, rear	1	-	-	
2	61100-22860-019	SWINGING ARM SET, rear	-	1	1	
3	09319-10009	BUSH	2	2	2	
4	61211-20001	SHAFT, pivot	1	1	1	
5	08310-12108	NUT	1	1	1	
6	08321-21108	LOCK WASHER	1	1	1	
7	08322-21108	WASHER	2	2	2	
8	09320-22001	CUSHION, pivot shaft	1	1	1	
9	61310-22610	CHAIN CASE, upper half	1	1	1	
10	09100-06005	BOLT	1	1	1	6x6
11	09100-06051	BOLT	1	1	1	6x15
12	08322-21068	WASHER	4	2	2	
13-1	62100-22231-797	SHOCK ABSORBER ASSY, rear	2	-	-	
13-2	62100-22231-00U	SHOCK ABSORBER ASSY, rear	2	-	-	
14	62100-22610	SHOCK ABSORBER ASSY, rear	-	2	2	
15	62311-19600	SHAFT, shock absorber upper	1	1	1	
16	09140-10012	NUT	1	1	1	
17	08313-11108	NUT	2	2	2	
18	08322-21108	WASHER	6	6	6	
19	09160-10005	WASHER, upper	2	2	2	10x15x1.2
20	09100-10046	BOLT	2	2	2	10x43
21	64311-01001	TORQUE LINK, rear	1	1	1	
22	09440-18002	SPRING	1	1	1	
23	09384-06001	CLIP	1	1	1	
24	09111-08013	BOLT, rear torque link	1	1	1	
25	09140-08008	NUT	2	2	2	
26	08321-21088	LOCK WASHER	1	1	1	
27	09385-10001	CLIP, rear	1	1	1	

FIG.42 REAR WHEEL

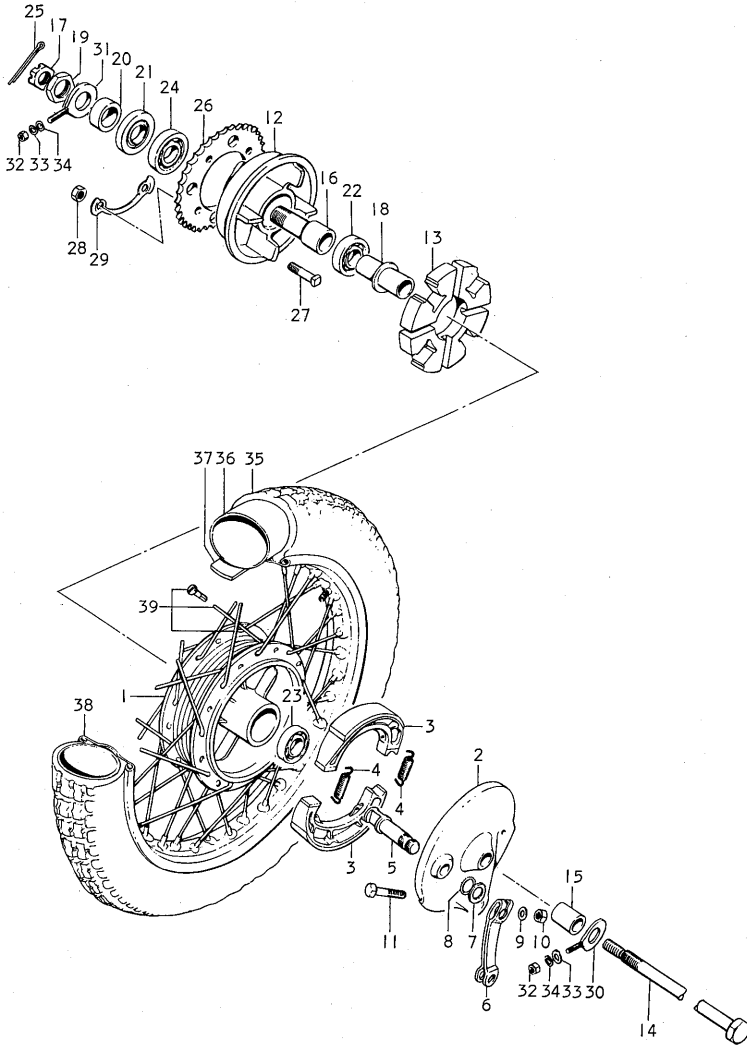


FIG.42 REAR WHEEL

Ref.No.	Part No.	Description	Q'ty M	Remarks
1	64110-01000	DRUM, rear hub	1	
2	64210-01004	PANEL, rear hub	1	
3	54410-01005	SHOE, brake	2	
4	09443-07001	SPRING	2	
5	54441-01002	CAM SHAFT, brake	1	
6	64451-20000	LEVER, brake cam	1	
7	09160-12011	WASHER	1	12.5x20x1
8	09280-12001	DUST SEAL	1	
9	08322-21068	WASHER	1	
10	08310-11068	NUT	1	
11	09100-06050	BOLT	1	6x31
12	64611-01001	DRUM, sprocket	1	
13	64651-01000	SHOCK ABSORBER	1	
14	64711-01603	AXLE, rear	1	
15	09180-12005	SPACER, axle	1	12.2x22x30.5
16	64761-01000	SHAFT, rear sprocket drum	1	
17	08314-31108	NUT	1	
18	64730-01000	SPACER, hub	1	
19	09140-16005	NUT, sprocket drum shaft	1	
20	09180-17004	SPACER, sprocket drum	1	17x25x10.5
21	09285-25001	OIL SEAL	1	
22	08143-62010	BEARING, hub LH	1	

FIG. 42 REAR WHEEL

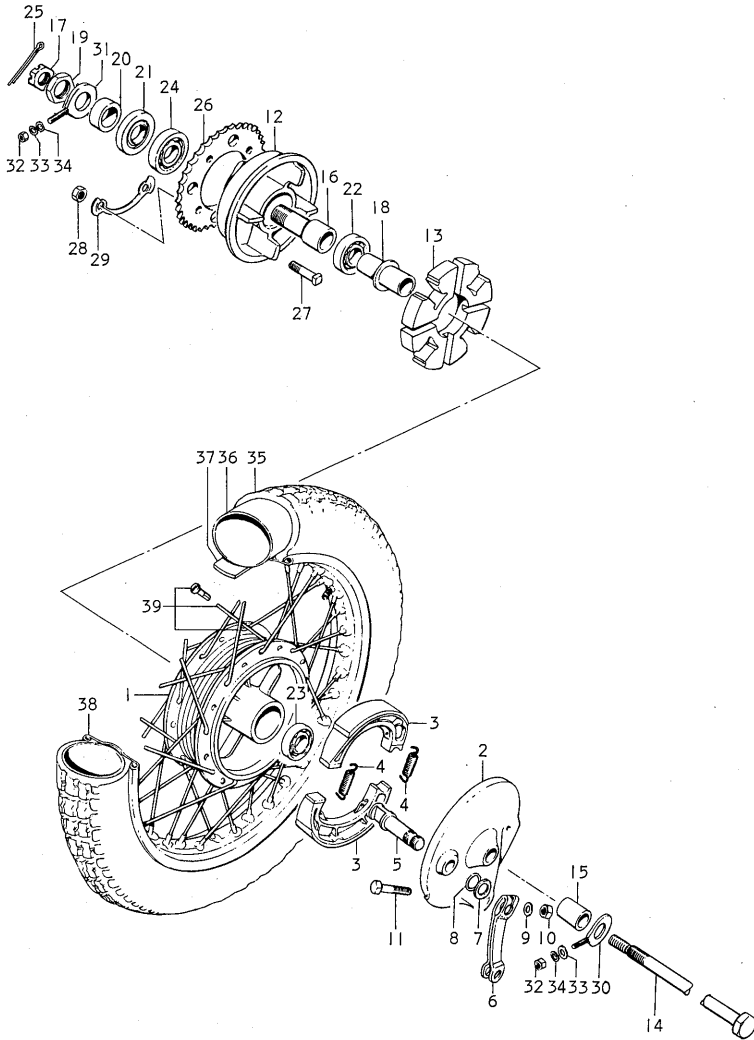


FIG.42 REAR WHEEL

Ref.No.	Part No.	Description	Q'ty M	Remarks
23	08143-63010	BEARING, hub RH	1	
24	08113-62030	BEARING, sprocket drum	1	
25	04111-20308	COTTER PIN	1	
26-1	64511-01739	SPROCKET, rear	1	#420, NT:37
26-2	64511-01970	SPROCKET, rear	1	#420, NT:35 OPT
27	09105-08001	BOLT	4	
28	08312-11088	NUT	4	
29	09169-08011	WASHER	2	
30	61421-01002	ADJUSTER, RH chain	1	
31	61421-01002	ADJUSTER, LH chain	1	
32	08310-11068	NUT	2	
33	08322-21068	WASHER	2	
34	08321-21068	LOCK WASHER	2	
35	65100-01011	TIRE, rear	1	2.25-17
36	55200-01011	TUBE, inner	1	2.25-17
37	55261-01010	PROTECTOR, inner tube	1	18x17
38	55311-01020	RIM, wheel	1	1.20x17
39	65301-01817	SPOKE SET, rear	1	

FIG.43 REAR WHEEL

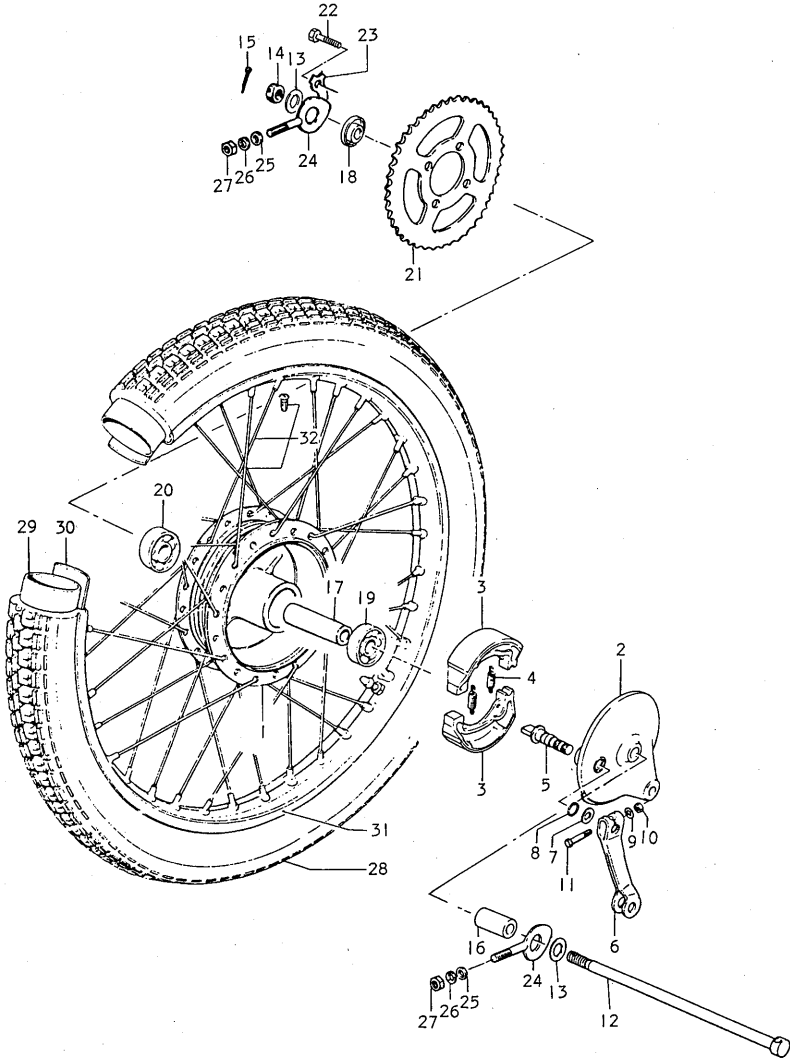


FIG.43 REAR WHEEL

Ref.No.	Part No.	Description	Q'ty		Remarks
			B	DB	
1	64110-46100	DRUM, rear hub	1	1	
2	64210-46100	PANEL, rear hub	1	1	
3	54410-43000	SHOE, brake	2	2	
4	09443-07001	SPRING, brake shoe	2	2	
5	54441-29300	SHAFT, brake cam	1	1	
6	64451-46100	LEVER, rear brake cam	1	1	
7	09160-14001	WASHER	1	1	12.5x20x1
8	09280-14003	O RING	1	1	
9	08322-21068	WASHER	1	1	
10	08310-11068	NUT	1	1	
11	09100-06078	BOLT, brake cam lever	1	1	
12	64711-43000	AXLE, rear	1	1	
13	09160-12012	WASHER	2	2	
14	08314-31128	NUT	1	1	
15	04111-30308	COTTER PIN	1	1	
16	09180-12005	SPACER, rear axle RH	1	1	
17	09180-12078	SPACER, rear hub bearing	1	1	
18	64750-22600	SPACER, rear axle LH	1	1	
19	08143-63010	BEARING, rear hub RH	1	1	
20	08123-63010	BEARING, rear hub LH	1	1	
21-1	64511-01739	SPROCKET, rear	1	1	NT:37
21-2	64511-01970	SPROCKET, rear	1	1	NT:35 OPT
22	09100-08140	BOLT	4	4	
23	09169-08011	WASHER	2	2	

FIG.43 REAR WHEEL

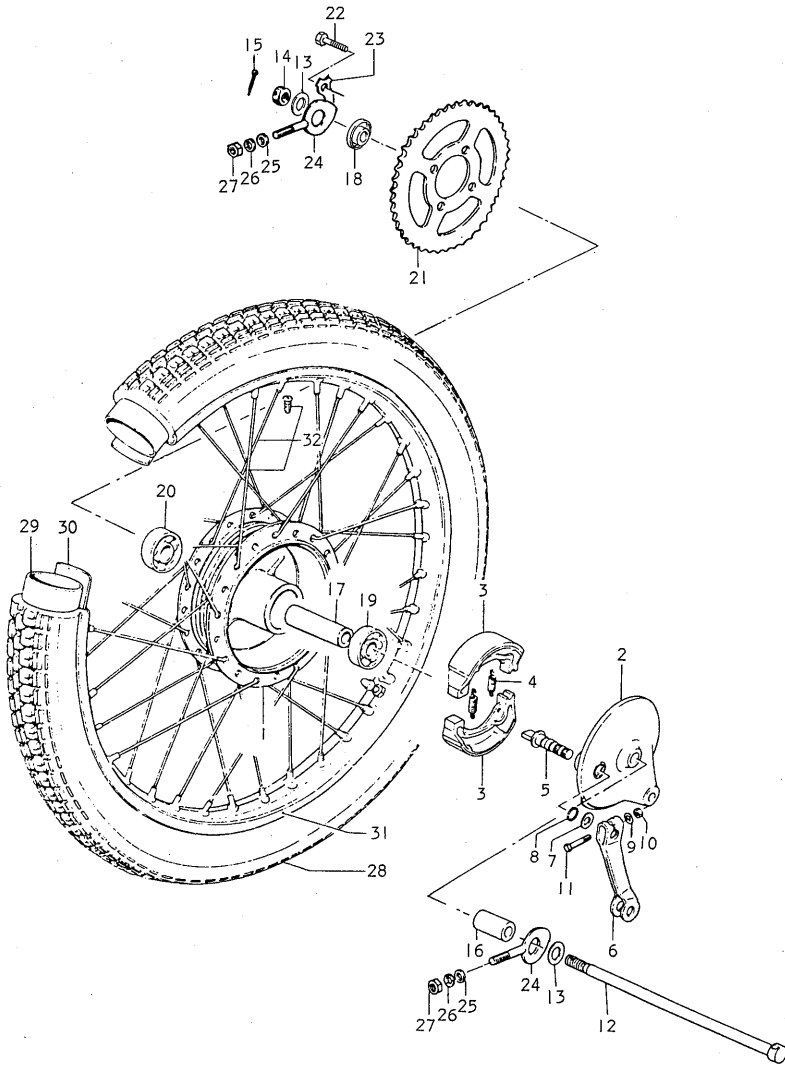




FIG.43 REAR WHEEL

Ref.No.	Part No.	Description	Q'ty B DB	Remarks
24	61411-01002	ADJUSTER, chain	2 2	
25	08322-21068	WASHER	2 2	
26	08321-21068	LOCK WASHER	2 2	
27	08310-11068	NUT	2 2	
28	65100-01011	TIRE	1 1	2.25-17
29	55200-01011	TUBE, inner	1 1	2.25-17
30	55261-01010	PROTECTOR, tube	1 1	
31	55311-01020	RIM, wheel	1 1	
32	65301-01817	SPOKE SET	1 1	

FIG.44 PEDAL CRANK

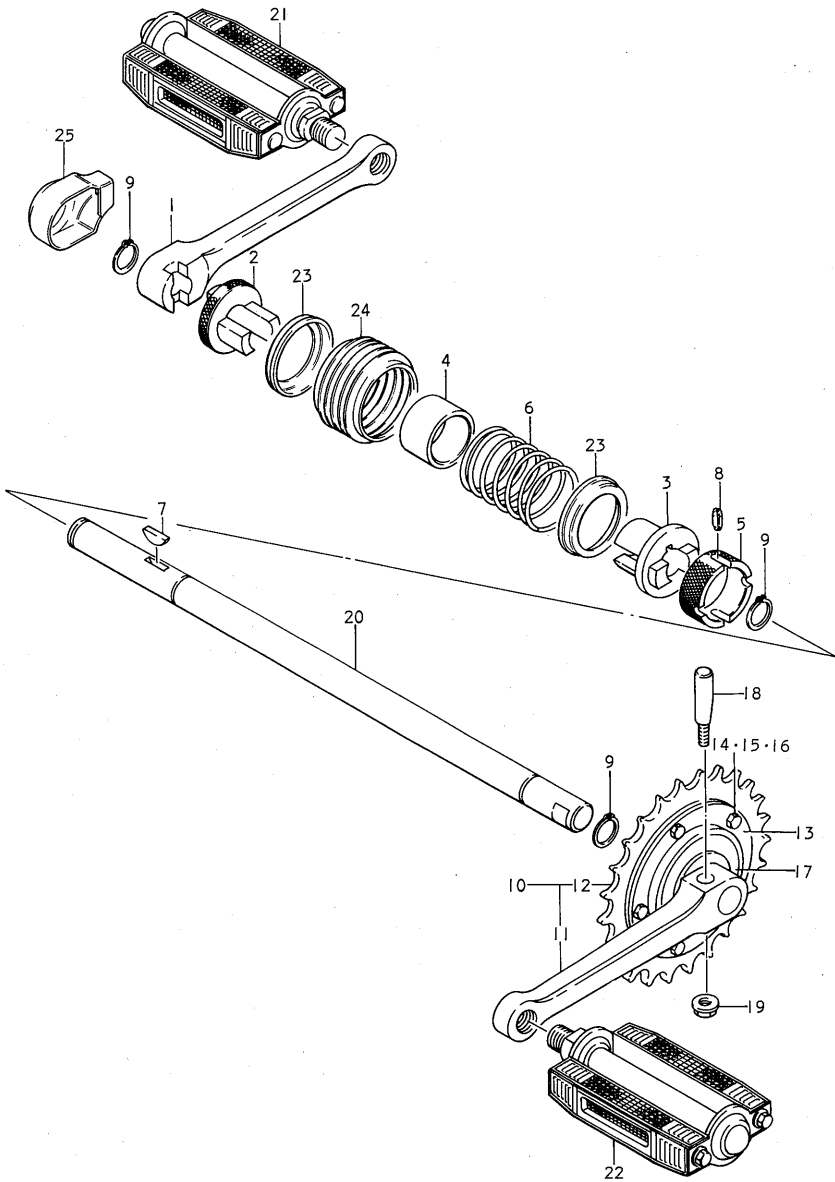


FIG.44 PEDAL CRANK

Ref.No.	Part No.	Description	Q'ty			Remarks
			M	B	DB	
1	66111-22600	CRANK, RH	1	1	1	
2	66112-22600	DOG, outer	1	1	1	
3	66113-22600	DOG, inner	1	1	1	
4	66114-22600	SLEEVE, crank	1	1	1	
5	66115-22600	STOPPER, dog	1	1	1	
6	09440-39001	SPRING	1	1	1	
7	08341-31059	KEY	1	1	1	
8	09205-04007	SPRING PIN	2	2	2	
9	08331-31169	CIRCLIP	3	3	3	
10	66120-22600	GEAR CRANK ASSY	1	1	1	
11	66121-22600	·CRANK, LH	1	1	1	
12	66122-22600	·SPROCKET	1	1	1	
13	66123-22600	·SPACER	1	1	1	
14	66124-22600	·NUT	5	5	5	
15	66125-22600	·LOCK WASHER	5	5	5	
16	66126-22600	·BOLT	5	5	5	
17	66127-22600	·FREE WHEEL	1	1	1	
18	52461-04000	PIN	1	1	1	
19	09159-06017	NUT	1	1	1	
20	66131-22600	SHAFT, crank	1	1	1	
21	66140-22600	PEDAL ASSY, RH	1	1	1	
22	66150-22600	PEDAL ASSY, LH	1	1	1	
23	66163-22600	COLLOR, dust seal crank	2	2	2	
24	66161-22600	DUST SEAL, crank	1	1	1	
25	66162-22600	CAP, crank	1	1	1	

FIG.45 OPTIONAL

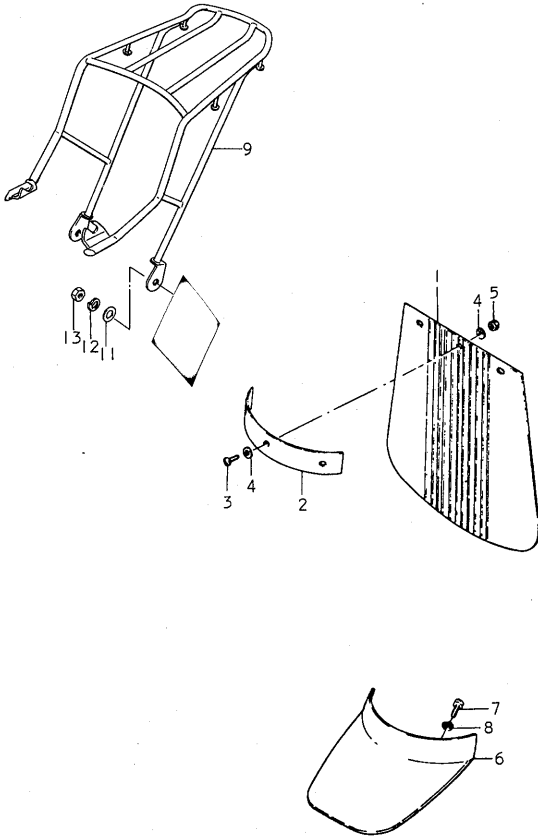


FIG.45 OPTIONAL

Ref.No.	Part No.	Description	Q'ty			Remarks
			M	B	DB	
1	53311-40000	FLAP, front fender mud	1	1	1	
2	53321-09100	PLATE, mud flap	1	1	1	
3	02112-04108	SCREW	3	3	3	
4	08322-21048	WASHER	6	6	6	
5	08310-22048	NUT	3	3	3	
6	63310-12701	PLATE, rear fender extension	1	1	1	
7	01104-05108	BOLT	2	2	2	
8	08321-21058	LOCK WASHER	2	2	2	
9	46310-22602	CARRIER, sports	1	1	1	
10	01107-06128	BOLT	2	2	2	
11	08322-21068	WASHER	2	2	2	
12	08321-21068	LOCK WASHER	2	2	2	
13	08310-11068	NUT	2	2	2	

FIG. 46 OPTIONAL

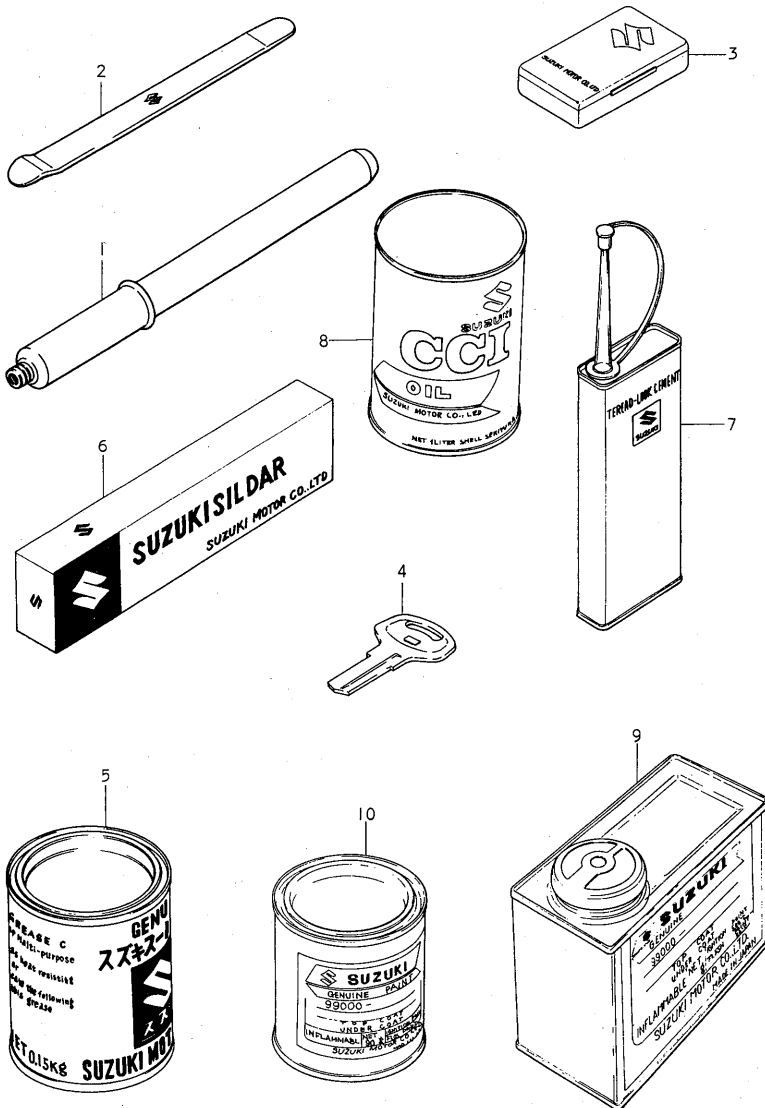


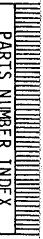
FIG.46 OPTIONAL

Ref.No.	Part No.	Description	Qty			Remarks
			M	B	DB	
1	09821-00004	AIR INFLATOR	1	1	1	
2	09825-00002	TIRE LEVER	2	2	2	
3	09826-00001	TOOL SET, inner tube repairing	1	1	1	
4	37145-19710	BLANK KEY	1	1	1	
5	99000-25030	GREASE, super	1	1	1	
6	99000-33020	GASKET, liquid	1	1	1	
7	99000-32040	CEMENT, thread	1	1	1	
8-1	99000-21145	SUZUKI CCI OIL (1&x24)	1	1	1	
8-2	99000-21021	SUZUKI CCI OIL (4&x6)	1	1	1	
8-3	99000-21150	SUZUKI CCI OIL (200&l)	1	1	1	
8-4	99000-21250	SUZUKI CCI SUPER OIL (1&x24)	1	1	1	
8-5	99000-21260	SUZUKI CCI SUPER OIL (4&x6)	1	1	1	
9-1	99000-10105-019	PAINT (BLACK)	1	1	1	} NET:500g
9-2	99000-10205-126	PAINT (PEARL METALLIC)	-	1	1	
9-3	99000-10205-797	PAINT (MAUI BLUE METALLIC)	1	-	-	
9-4	99000-10205-00U	PAINT (CANDY ROSE)	1	1	1	
9-5	99000-10205-05H	PAINT (CANDY FLORIDA BLUE)	-	1	1	
10-1	99000-10109-019	PAINT (BLACK)	1	1	1	} NET:90g
10-2	99000-10209-126	PAINT (PEARL METALLIC)	-	1	1	
10-3	99000-10209-797	PAINT (MAUI BLUE METALLIC)	1	-	-	
10-4	99000-10209-00U	PAINT (CANDY ROSE)	1	1	1	
10-5	99000-10209-05H	PAINT (CANDY FLORIDA BLUE)	-	1	1	
	11400-26821	GASKET SET	1	1	1	





PARTS NUMBER INDEX



Part No.	Page-Ref.No.	Part No.	Page-Ref.No.	Part No.	Page-Ref.No.
<b>I 0000</b>					
11111-26000	1-01	13383-01010	6-14	24231-05101	10-02
11141-14000	1-02	13392-01010	6-15	24241-05100	10-05
11211-26000	1-08	13394-01010	6-16	24251-05100	10-09
11241-19300	1-09	13411-01010	6-17	24310-05102	10-17
11300-22851	3-01	13417-01010	6-18	24321-05103	10-20
11300-26832	2-01	13418-03110	6-19	24331-05102	10-19
11351-22610	3-13	13551-26010	6-20	24341-05100	10-22
11366-22600	3-24	13573-05010	6-21	24351-05100	10-24
11380-05841	3-21	13577-03010	6-22	24741-35000	10-14
11380-05842	4-01	13581-01010	6-24	24821-09000	2-19
11385-26000	8-18	13661-03010	6-23	25211-05100	11-01
11400-26821	46-0	13688-08010	6-25	25221-05100	11-02
11440-22500	4-05	13700-22311-019	4-09	25311-05100	11-06
11481-05000	2-02	13701-05010	4-10	25340-05101	11-11
11482-05000	3-02	13721-05012	4-11	25350-05100	11-15
11483-26000	3-14	13742-05110	4-15	25351-22600	12-05
11492-05002	4-03	13780-05110	4-12	25354-05101	11-13
11910-06000	4-07	13881-05002	4-16	25381-05100	11-08
12110-35000	5-01-1	14181-05010	7-01	25411-05100	11-07
12110-35010	5-01-2	14301-22301	7-02	25510-22200	11-30
12110-35020	5-01-3	14510-05003	7-03	25600-22600	11-36
12140-05751	5-02-2	16100-26010	8-01	25652-16500	11-37
12140-05761	5-02-3	16292-03111	8-02	25671-19000	11-33
12140-05828	5-02-1	16391-05030	8-05	25812-22600	12-03
12151-02000	5-03	16731-03100	8-06	25820-22600	12-01
12161-35000	5-07	16810-12631	8-10	26211-35001	13-01
12200-06100	5-06	16820-26030	8-12	26221-01030	13-02
12211-06100	5-09			26222-01001	13-03
12221-06101	5-11			26231-01000	13-06
12261-06100	5-12			26232-01000	13-09
12410-22210	5-18			26241-05101	13-14
12421-05210	5-19			26300-22600	13-15
12450-26000	5-21			26352-01000	13-16
12460-05001	5-24			27511-19700	10-28
12471-05001	5-25			27513-35000	10-29
<b>20000</b>					
12511-06100	5-13	21111-03001	5-27	27513-35000	12-13
13200-05112	6-0	21200-05102	9-01	27521-22600	12-09
13247-05010	6-01	21231-25040	9-02	27522-22600	12-12
13248-05110	6-03	21241-25301	9-03	27600-05011	10-30
13249-05010	6-02	21411-22200	9-08	27620-01011	10-31
13251-01011	6-04	21441-12000	9-12	27700-22600	12-15
13252-02010	6-05	21451-23000	9-13		
13254-01010	6-06	21460-23000	9-14		
13265-05110	6-07	23111-03001	9-07		
13267-05010	6-08	23121-03010	9-15		
13268-01010	6-09	23200-05030	9-18		
13268-05010	6-11	23222-07000	9-22		
13269-01010	6-10	24121-05100	10-01		
13296-05010	6-12	24130-22600	10-16		
13370-35620	6-13	24221-05101	10-04		

Part No. Page-Ref.No. Part No. Page-Ref.No. Part No. Page-Ref.No.

30000

32100-03620 14-01
32100-43012 15-01
32101-43012 15-02
32102-03620 14-11
32102-43012 15-14

35710-23010 20-01
35712-27630 20-02
35712-46620 21-02
35713-27630 20-03
35713-46620 21-03

44110-22670-00U 26-01-2
44110-22670-797 26-01-1
44110-22680-00U 27-01-1
44110-22680-05H 27-01-2
44200-36700 26-05

32120-03620 14-02
32120-43012 15-03
32130-03620 14-03
32140-03620 14-04
32140-43012 15-04

35765-15010 20-05
35765-22210 20-07
35766-15010 20-06
35766-22210 20-08
36116-08421 17-11-1

44210-23300 27-05
44300-22571 26-12
44300-28817 26-13
44341-28070 26-16
44344-28070 26-14

32240-28010 14-06
32240-43012 15-07
32341-25690 14-10
32341-43012 15-11
32800-19063 22-10

36116-22630 17-11-2
36118-25620 17-10
36510-22600 23-07
36610-22204 22-01
36610-22600 22-02

44346-28070 26-15
44610-21000-00U 28-01-2
44610-21000-05H 28-01-3
44610-21000-797 28-01-1
44640-11843 28-07

33410-19011 15-20
33410-19020 14-17
33510-22610 1-06
33542-98000 1-07
33610-03010 22-04

36740-15010 22-15
36851-46200 19-12
36852-22610 23-10
36852-22620 22-14
36862-27690 22-09

44651-11040 28-02
44661-11000 28-03
44720-11030 28-04
44733-11030 28-05
45100-22631-865 24-02

34100-22620 16-02
34100-26601-999 16-01
34170-26600 16-03
34910-22210 16-17
34910-24912 16-16

37110-22613 23-01
37110-22620 23-02
37132-03000 22-03
37145-19710 46-04
37711-05101 11-23

46310-22602 45-09
47130-01001 24-07
47130-01002 24-09
47211-21001-00U 24-06-2
47211-21001-05H 24-06-3

34910-28131 16-15
34950-26001 16-06
34955-20000 16-08
35100-22630 17-02
35100-25620 17-01

37712-26000 11-22
37721-26000 11-21
37740-19051 23-04
38500-23031 23-11
38610-12110 18-11

47211-21001-797 24-06-1

35111-27221 17-03
35123-22630 17-07
35123-25620 17-06
35124-27222 17-04
35125-27222 17-05

38610-12110 19-08

50000

35128-27221 17-12
35171-22630 17-09
35171-25620 17-08
35601-25211 18-01
35603-25012 18-02

41100-21201-019 24-01
41540-05100 22-06
42100-22200 25-01
42211-03001 25-02
42251-03002 25-05

51100-23312-00U 29-01-2
51100-23312-797 29-01-1
51100-23670-291 31-0
51100-23700-291 30-0
51110-23010 29-04

35603-46210 19-01
35612-20010 18-03
35612-46210 19-02
35613-06111 18-04
35613-25012 18-02

40000

51110-23640 30-05
51110-23640 31-03
51130-22210 29-02
51131-23640 31-01
51131-23680 30-01

35623-06110 18-05
35623-35110 21-04
35627-43010 21-05
35661-22610 18-15
35710-22650-999 21-01

43110-22600 25-09
43221-22600 25-13
43300-25000 25-16
43600-03001 25-23
43600-22600 25-24

51140-22210 29-03
51141-23640 31-02
51141-23680 30-02
51146-23640 30-06
51146-23640 31-04

Part No.	Page-Ref.No.	Part No.	Page-Ref.No.	Part No.	Page-Ref.No.
51147-31030	30-08	51453-03010	29-17	54611-03000	35-12
	31-06	51530-23311-00U	29-11-2	54611-03001	36-12
51148-31030	30-07	51530-23311-797	29-11-1	54621-03000	35-13
	31-05	51530-23670-291	30-24		36-13
51150-03011	29-05		31-24	54632-01001	35-14
		51540-23311-00U	29-12-2	54632-01001	36-14
51152-03011	29-06	51540-23311-797	29-12-1	54661-03000	35-16
51153-46100	30-03	51540-23670-291	30-25		36-16
	31-09		31-25	54711-03601	35-20
51154-12011	29-14	51542-05130	30-32	54711-26100	36-20
51156-46100	30-04				
		51553-46100	30-23	54711-26100	37-04
51156-46100	31-10		31-23	54730-01000	35-23
51169-46100	30-16	51555-22010	29-30		36-25
	31-16	51571-46100	30-11	54740-26100	36-24
51171-23640	30-12		31-11	54750-46100	37-05
	31-12				
		51611-20002	38-29	54892-01000	35-25
51171-24900	29-09	51621-25000	38-30	55100-01011	35-32
51172-23010	29-10	51622-20001	30-19		36-30
51172-46100	30-15		31-19		37-15
	31-15	51631-05000	38-32	55200-01011	35-33
51173-01210	29-07				
		51643-06001	38-34	55200-01011	36-31
51176-46100	30-14	51810-27200-00U	17-16-3		37-16
	31-14	51810-27200-291	17-16-1		42-36
51177-46100	30-09	51810-27200-797	17-16-2		43-29
	31-07	51817-06301	17-20	55261-01010	35-34
51181-22010	29-13				
		51818-06301	17-21	55261-01010	36-32
51181-22011	30-17	51910-25310	38-35		37-17
	31-17	52461-04000	44-18		42-37
51192-46100	30-13	53110-03660	32-01		43-30
	31-13	53110-22610	34-01	55300-46810	37-13
51196-46100	30-10				
		53111-46630-126	33-01	55301-01812	35-31
51196-46100	31-08	53112-46100	33-02		36-34
51310-23640-291	30-26	53311-40000	45-01	55311-01020	35-30
	31-26	53321-09100	45-02		36-33
51311-22210	29-15	54110-01004	35-01		42-38
51351-20010	29-23				
		54110-46110	36-01	55311-01020	43-31
51352-46100	30-28	54111-46100	37-01	55311-22600	37-14
	31-28	54210-03006	35-02	56111-20001	38-02
51356-22011	29-24	54210-46110	36-02	56111-20710	38-03
51356-22012	29-25	54410-01005	35-03	56111-20712	38-04
51357-22010	29-29				
		54410-01005	42-03	56111-22700	38-01
51357-22030	30-27	54410-43000	36-03	56211-27100	29-16
	31-27		43-03	56211-27130-291	30-29
51410-22010	29-08	54441-01002	35-05		31-29
51410-23640	30-18		42-05	56500-19010	38-05
	31-18				
		54441-29300	36-05	57110-20010	39-01
51451-03010	29-21		43-05	57211-20010	39-03
51452-08010	29-20	54451-03002	35-07	57300-20713	39-04
51452-08030	30-20	54451-46110	36-07	57320-01011	39-05
	31-20	54600-46100	37-09		39-17
51452-46100	31-32				

Part No.	Page-Ref.No.	Part No.	Page-Ref.No.	Part No.	Page-Ref.No.
----------	--------------	----------	--------------	----------	--------------

**60000**

57334-01010	39-06	61100-22830-019	41-01	66131-22600	44-20
	39-21	61100-22860-019	41-02	66140-22600	44-21
57337-01010	39-22	61211-20001	41-04	66150-22600	44-22
57370-01311	39-23	61310-22610	41-09	66161-22600	44-24
57382-01311	39-24	61411-01002	43-24	66162-22600	44-25
57421-27210	39-11	61421-01002	42-30	66163-22600	44-23
57431-01011	39-12		42-31	68101-22810-61K	26-02
	39-27	62100-22231-00U	41-13-2	68101-22820-61P	27-02-1
57435-20010	39-13	62100-22231-797	41-13-1	68101-22820-61R	27-02-2
	39-28	62100-22610	41-14	68111-34000	26-03
57500-21012	39-16	62311-19600	41-15	68111-34000	27-03
57621-27210	39-26	63110-22609	34-04	68131-46100	24-12
58100-03731	38-06	63110-22610	32-04	68141-22630	24-11
58100-07721	38-07-2	63110-22619-126	33-07	68171-26000	28-14
58100-22600	38-08	63310-12701	45-06	68233-31000	3-22
58100-22610	38-09	64110-01000	42-01	68233-34000	4-02
58110-03751	38-07-1	64110-46100	43-01	68363-26200	24-13
58200-05710	38-15	64210-01004	42-02		
58200-07001	38-14	64210-46100	43-02		
58300-05730	38-19-1	64311-01001	41-21		
58300-22600	38-18	64451-20000	42-06		
58300-22630	38-19-2	64451-46100	43-06		
58410-01751	38-24	64511-01739	42-26-1		
58631-07010	39-02		43-21-1		
58721-25611	39-31	64511-01970	42-26-2		
58722-03010	39-32	64511-01970	43-21-2	<b>80000</b>	
58723-03010	39-33	64611-01001	42-12	85413-70000	27-06
59111-18410	40-09	64651-01000	42-13		
59112-18410	40-10	64711-01603	42-14		
59150-46100	40-04	64711-43000	43-12		
59211-46100	37-10	64730-01000	42-18		
59300-46100	40-01	64750-22600	43-18		
59300-46810	40-11	64761-01000	42-16		
59305-46100	40-07	65100-01011	42-35		
59306-46100	40-08		43-28		
59308-46100	40-05	65301-01817	42-39	<b>90000</b>	
59309-46100	40-06		43-32	90001-31817	38-38
59360-46100	40-02	66111-22600	44-01	99000-10105-019	46-09-1
59371-46100	40-03	66112-22600	44-02	99000-10109-019	46-10-1
59372-46100	40-15	66113-22600	44-03	99000-10205-00U	46-09-4
				99000-10205-05H	46-09-5
59373-46100	40-16	66114-22600	44-04	99000-10205-126	46-09-2
59381-46100	40-14	66115-22600	44-05	99000-10205-797	46-09-3
		66120-22600	44-10	99000-10209-00U	46-10-4
		66121-22600	44-11	99000-10209-05H	46-10-5
		66122-22600	44-12	99000-10209-126	46-10-2
		66123-22600	44-13	99000-10209-797	46-10-3
		66124-22600	44-14	99000-21021	46-08-2
		66125-22600	44-15	99000-21145	46-08-1
		66126-22600	44-16	99000-21150	46-08-3
		66127-22600	44-17	99000-21250	46-08-4

Part No.	Page-Ref.No.	Part No.	Page-Ref.No.	Part No.	Page-Ref.No.
99000-21260	46-08-5	02112-04208	11-27	04111-20308	36-23
99000-25030	46-05	02112-04258	15-05		37-08
99000-32040	46-07	02112-05068	7-04		42-25
99000-33020	46-06	02112-05128	3-25	04111-25208	11-05
			14-18	04111-30308	25-12
		02112-05128	15-21	04111-30308	43-15
			38-36	04211-09129	2-03
		02112-05168	4-04		3-03
			4-06		5-23
			8-07	06111-06003	38-31
00000					
01104-05088	23-08	02112-05168	28-10	06211-03052	5-20
01104-05108	45-07	02112-05208	22-12	08113-62000	35-27
01104-08128	16-13	02112-05308	8-08		36-28
	23-12	02112-05408	3-09	08113-62030	42-24
01107-06108	21-08	02112-06068	33-04	08113-62040	10-25
01107-06108	28-11	02112-06088	23-03	08123-63000	37-02
	32-02	02112-06108	8-19	08123-63010	43-20
	34-02		10-15	08130-60027	12-10
	38-22		29-18	08143-62010	42-22
01107-06128	19-09		40-12	08143-63000	35-26
01107-06128	32-05	02112-06128	30-34	08143-63000	36-27
	33-05		31-35	08143-63010	42-23
	33-08	02112-06258	3-18		43-19
	34-05	02112-06307	2-08	08211-12261	10-10
	39-35		3-17	08211-12302	13-12
01107-06128	45-10	02112-06358	2-07	08211-17282	9-09
01107-06168	20-10		3-08		10-08
	26-09		3-20	08211-17301	9-06
01107-06208	11-38	02112-06408	2-06	08310-11058	16-09
	13-17		3-07		22-11
01107-06208	20-11	02112-06408	3-16	08310-11058	39-15
01107-06308	11-19	02112-06458	2-05		39-30
01107-08168	25-14		3-06	08310-11068	1-03
01107-08258	24-03		3-19		11-17
01107-08558	30-31	02112-06508	3-05		18-14
01107-08558	31-31	02112-06557	3-15	08310-11068	19-11
01107-10308	30-22	02112-06657	2-04		20-13
	31-22	02112-06708	3-04		21-09
01112-06608	19-06-1	02122-05128	9-23		35-09
01122-06128	18-12	02122-06128	11-24		36-09
01204-08307	17-17	02122-06168	5-26	08310-11068	42-10
01204-08357	29-27		11-12		42-32
01221-08757	29-26	02132-05128	3-23		43-10
02111-04308	14-05	02311-04128	14-07		43-27
02111-04508	20-04	03211-03168	19-04		45-13
02112-03048	11-25	03211-04208	4-18	08310-12088	2-11
02112-04108	15-08		4-20		8-17
	15-12	04111-12108	6-29	08310-12108	14-13
	45-03	04111-20208	25-22		18-10
02112-04128	17-25	04111-20308	35-29		25-07

Part No.	Page-Ref.No.	Part No.	Page-Ref.No.	Part No.	Page-Ref.No.
08310-12108	41-05	08321-21088	24-04 25-15 29-28 30-30 31-30	08322-21068	41-12 42-09 42-33 43-09 43-25
08310-22048	45-05				
08310-22068	9-20 24-10				
08310-22108	18-06				
08312-11088	16-12	08321-21088	41-26	08322-21068	45-11
	38-16	08321-21108	11-34	08322-21088	2-13
	42-28		14-14		24-05
08313-11068	4-13		15-18		40-18
08313-11108	41-17		18-09	08322-21108	14-15
08314-31108	35-21	08321-21108	25-08	08322-21108	15-17
	36-22		29-22		41-07
	37-07		30-21		41-18
	42-17		31-21	08331-11149	13-04
08314-31128	43-14		41-06	08331-11159	35-19
08321-21038	39-08	08321-31088	2-15	08331-11159	36-19
	39-20		40-19	08331-31159	12-11
08321-21048	11-28	08322-11068	19-07	08331-31169	44-09
	14-08	08322-11088	2-12	08332-11078	12-04
	15-06		16-14	08341-31039	5-32
08321-21048	15-10	08322-11088	17-19	08341-31059	44-07
	15-13	08322-11108	12-08	09100-06005	41-10
	17-26		18-08	09100-06038	19-06-2
08321-21058	8-09		36-21	09100-06050	35-10
	38-37		37-06		42-11
08321-21058	39-14	08322-21038	11-26	09100-06051	41-11
	39-29		39-07	09100-06078	36-10
	45-08		39-19		43-11
08321-21068	11-20	08322-21048	11-29	09100-08024	2-10
	22-08		14-09	09100-08026	2-09
08321-21068	28-12	08322-21048	15-09	09100-08094	37-11
	29-19		17-27	09100-08140	43-22
	30-33		45-04	09100-10004	12-07
	31-34	08322-21058	14-19	09100-10018	25-03
	32-03		15-22	09100-10046	41-20
08321-21068	32-06	08322-21058	22-13	09104-08014	40-17
	33-06		23-09	09105-08001	42-27
	33-10		25-20	09108-06026	1-10
	34-03	08322-21068	1-04	09111-06004	11-10
	34-07		4-14	09111-08013	41-24
08321-21068	38-23	08322-21068	18-13	09119-08014	8-16
	39-34		19-10	09125-03103	39-09
	40-13		25-21		39-18
	42-34		31-33	09125-05105	39-10
	43-26		32-07		39-25
08321-21068	45-12	08322-21068	33-03	09127-03002	26-04
08321-21088	2-14		33-09		27-04
	16-11		34-06	09128-06004	3-10
	17-18		35-08		22-07
	23-13		36-08	09128-06006	26-17

Part No.	Page-Ref.No.	Part No.	Page-Ref.No.	Part No.	Page-Ref.No.
09134-03101	35-18	09180-08001	17-24	09287-07001	38-12
	36-18	09180-10003	35-22	09287-07002	38-17
09134-06001	9-19	09180-10005	37-03		38-20
09139-05011	14-12	09180-12005	42-15	09300-12008	10-11
	15-19		43-16		10-27
09139-06002	13-10	09180-12078	43-17	09308-05005	21-07
09140-08008	41-25	09180-17004	42-20	09308-12001	23-06
09140-10003	15-16	09180-17025	9-05	09309-08002	8-11
09140-10012	41-16	09180-20006	5-29	09309-09003	15-15-1
09140-14002	5-30	09180-20017	5-15	09309-09006	14-16
09140-16001	9-10	09205-04007	44-08	09309-09006	15-15-2
09140-16005	42-19	09209-05012	13-07	09319-10009	41-03
09150-05101	38-10	09209-10001	38-11	09320-08004	16-10
09150-06001	25-18	09209-10002	11-03	09320-09002	26-07
09152-06002	24-08	09209-11002	25-19	09320-12014	17-23
09159-06017	44-19	09221-05001	9-04	09320-22001	41-08
09160-05001	35-15	09247-10001	2-16	09321-05006	26-11
	36-15	09250-07001	32-08	09321-10001	25-06
09160-05006	16-07		33-11	09329-10005	26-06
09160-06004	26-10		34-08	09329-12002	17-22
09160-06027	20-12	09250-12002	2-18	09343-05037	26-19
09160-10005	41-19	09250-14002	4-08	09343-12005	12-16
09160-12011	35-11	09250-20003	8-15	09344-05001	28-13
	42-07	09250-25001	9-24	09360-06003	8-03
09160-12012	43-13	09259-20003	3-12		8-13
09160-12015	10-18	09261-02001	9-17	09361-14001	28-06
09160-14001	36-11	09261-04002	11-09	09380-17001	10-03
	43-07	09262-17012	10-13		10-23
09160-14005	13-13	09262-20015	5-17	09380-26001	10-07
09160-15002	25-11	09263-12003	5-05	09381-12001	5-04
09160-16005	35-17	09263-16002	5-10	09384-06001	41-23
	36-17	09269-20006	5-14	09385-10001	41-27
09160-16011	5-08	09280-00002	5-22	09399-14001	10-06
09166-14008	5-31	09280-08003	12-02	09401-08401	26-20
09166-24001	38-33	09280-12001	35-06	09402-46306	4-17
09167-17002	9-11	09280-12001	42-08	09402-48303	4-19
09167-17003	10-21	09280-14003	36-06	09403-09304	38-21
09168-05001	28-09		43-08	09407-06401	38-26
09168-06001	3-11	09280-23001	28-08	09408-00001	38-25
09168-06002	8-04	09283-20011	5-16	09408-00002	38-27
09168-06002	8-14	09283-20020	10-26	09408-00014	38-28
09168-06010	26-18	09283-25009	5-28	09440-04010	13-08
09168-10002	2-17	09284-15001	35-24	09440-04011	12-06
09169-08011	42-29		36-26	09440-06003	38-13
	43-23	09285-05004	10-12	09440-09004	25-17
09169-08019	37-12	09285-12002	11-35	09440-18002	41-22
09180-06002	26-08	09285-14001	13-11	09440-19010	12-14
09180-06004	11-04	09285-25001	42-21	09440-39001	44-06
09180-06021	11-14	09285-43001	35-28	09443-06019	23-05
09180-06022	11-16		36-29	09443-07001	35-04



Part No.	Page-Ref.No.	Part No.	Page-Ref.No.	Part No.	Page-Ref.No.
09443-07001	36-04				
	42-04				
	43-04				
09443-07013	11-31				
09443-08001	9-21				
09443-08005	11-18				
09443-12003	9-16				
09443-16002	25-04				
09444-26008	11-32				
09448-31010	25-10				
09448-38002	13-05				
09462-00007	22-05				
09471-06001	16-05				
09471-06002	16-04				
	17-15				
09471-06009	20-09				
09471-06015	17-13				
09471-06021	18-07				
	19-05				
09471-06028	17-14				
09471-06034	21-06				
09481-15001	22-16				
09482-00057	1-05-1				
09482-00058	1-05-2				
09491-72009	6-26				
09492-25003	6-27				
09494-00038	6-28				
09800-00108	23-14				
09821-00004	46-01				
09825-00002	46-02				
09826-00001	46-03				





25  
N 9  
SUZUKI A50P for E4

FOREWORD

This parts catalogue contains the parts for exclusive use of the SUZUKI A50P of E4 spec. specially designed for your market.  
N 9 25

Concerning parts unlisted in this catalogue, refer to the standard SUZUKI A50P E2 parts catalogue.  
N 4

FIG.1 FOR YOUR MARKET (E-4)

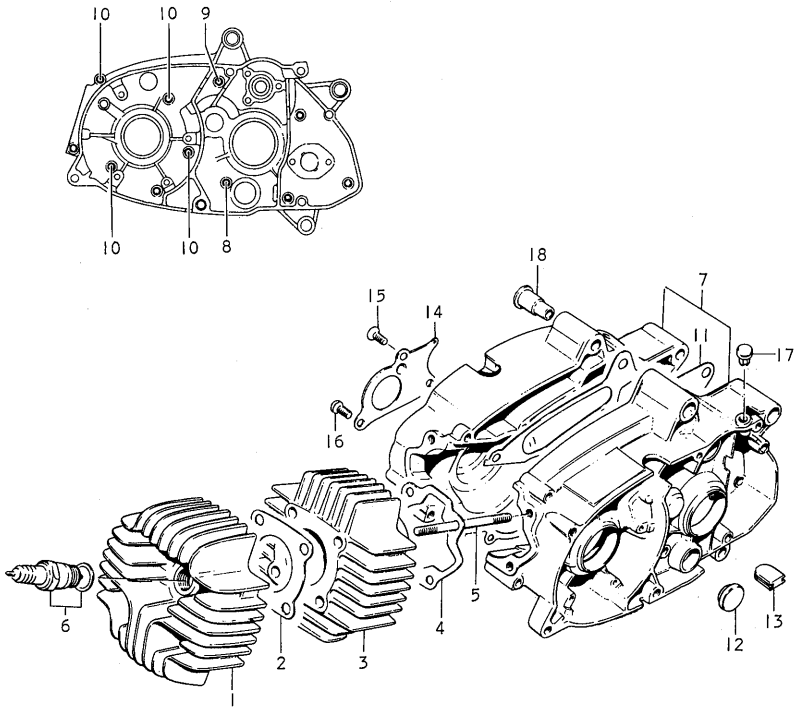


FIG.1 FOR YOUR MARKET (E-4)

Ref.No.	Part No.	Description	Q'ty			Remarks
			M	B	DB	
1	11111-19001	CYLINDER HEAD	1	1	1	
2	11141-22600	GASKET, cylinder	1	1	1	
3	11211-19001	CYLINDER	1	1	1	
4	11241-19000	GASKET, cylinder	1	1	1	
5	01421-06958	STUD BOLT	4	4	4	
6-1	09482-00105	SPARK PLUG	1	1	1	BP-7HS NGK
6-2	09482-00106	SPARK PLUG	1	1	1	W22FP ND
7-1	11300-22860	CRANKCASE ASSY	1	-	-	
7-2	11300-22870	CRANKCASE ASSY	-	1	1	
8	02112-06608	•SCREW	1	1	1	
9	02112-06557	•SCREW	1	1	1	
10	02112-06408	•SCREW	4	3	3	
11	11481-22001	•GASKET, crankcase	1	1	1	
12	09250-15002	CAP, oil hose	1	-	-	
13	09259-13001	PLUG	1	-	-	
14	12521-19002	PLATE, oil reservoir	1	1	1	
15	02122-06128	SCREW	2	2	2	
16	02112-06128	SCREW	1	1	1	
17	09250-10005	PLUG, breather	1	1	1	
18	09319-08008	BUSHING, engine mounting	4	4	4	

FIG.2 FOR YOUR MARKET (E-4)

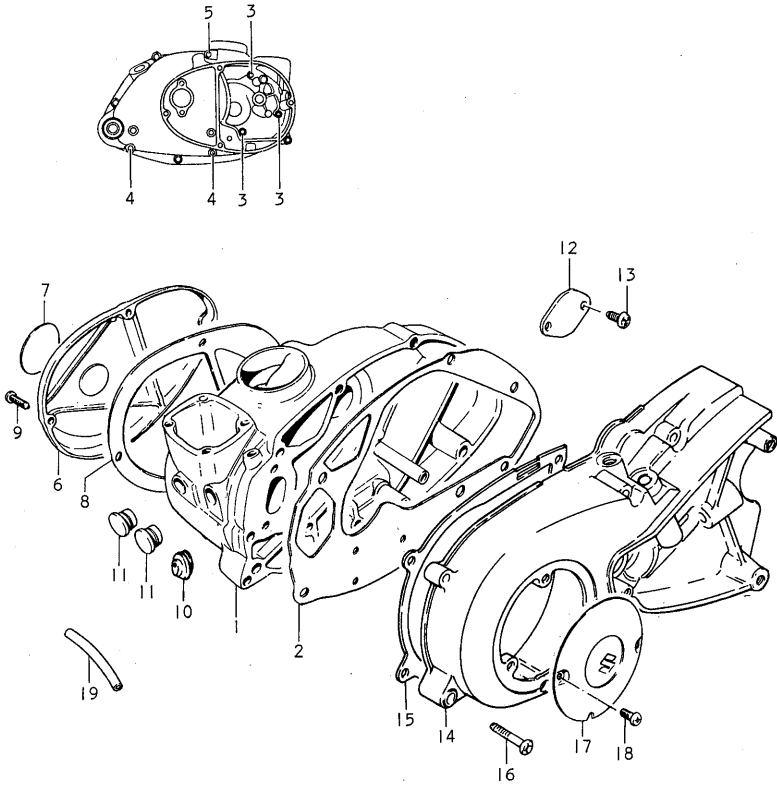


FIG.2 FOR YOUR MARKET (E-4)

Ref.No.	Part No.	Description	Q'ty			Remarks
			M	B	DB	
1-1	11340-22620	COVER, crankcase RH	1	-	-	
1-2	11340-22630	COVER, crankcase RH	1	1	1	
2	11482-22000	GASKET	1	1	1	
3	02112-06258	SCREW	3	3	3	
4	02112-06657	SCREW	2	2	2	
5	02112-06808	SCREW	1	1	1	
6	11383-22001	CAP, carburetor inspection	1	1	1	
7	68234-25300	EMBLEM	1	1	1	
8	11492-22000	GASKET	1	1	1	
9	02112-05208	SCREW	4	4	4	
10	09309-07005	GROMMET	1	1	1	
11	09250-14002	CAP, carburetor hole	2	1	1	
12	16745-16701	CAP, oil pump drive shaft	1	-	-	
13	02112-05128	SCREW	2	-	-	
14	11351-22620	COVER, crankcase LH	1	1	1	
15	11483-22001	GASKET	1	1	1	
16	02112-06508	SCREW	2	3	3	
17	11381-01001	CAP, generator inspection	1	1	1	
18	02112-05088	SCREW	2	2	2	
19	09344-03014	HOSE, carburetor over flow	1	1	1	3x6x140

FIG.3 FOR YOUR MARKET (E-4)

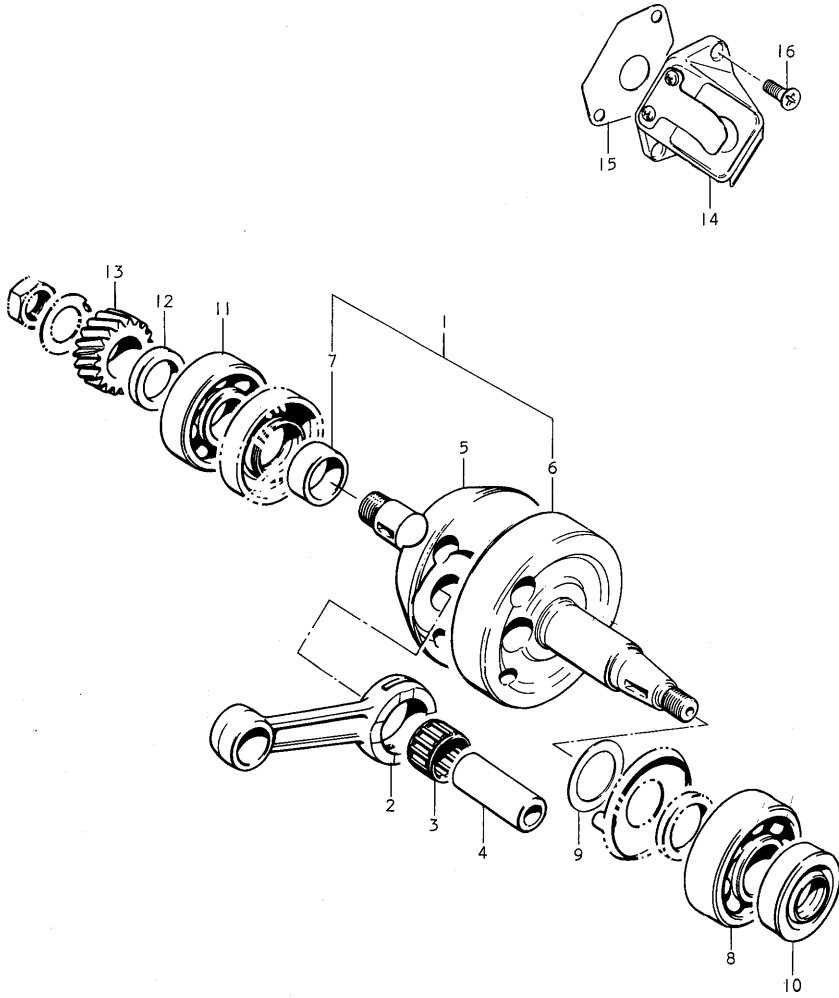




FIG.3 FOR YOUR MARKET (E-4)

Ref.No.	Part No.	Description	Q'ty			Remarks
			M	B	DB	
1	12200-35892	CRANKSHAFT ASSY	1	1	1	from 12200-35891
2	12161-35000	•ROD, connecting	1	1	1	
3	09263-16002	•BEARING, crank pin	1	1	1	
4	12211-19000	•PIN, crank	1	1	1	
5	12221-35001	•CRANKSHAFT, RH	1	1	1	from 12221-35000
6	12261-35002	•CRANKSHAFT, LH	1	1	1	from 12261-35001
7	09180-17026	•SPACER, crankshaft RH	1	1	1	
8	08113-62040	BEARING, LH crankshaft	1	1	1	
9	08221-20306	SHIM, crankshaft LH	1	-	-	
10	09283-23001	OIL SEAL, crankshaft LH	1	1	1	
11	08113-63030	BEARING	1	1	1	
12	09180-17027	SPACER, primary drive gear	1	1	1	17x28x4.5
13	21111-19002	GEAR, primary drive	1	1	1	
14	13150-22600	VALVE ASSY, reed	1	1	1	
15	13156-22600	GASKET	1	1	1	
16	02122-05168	SCREW	2	2	2	

FIG.4 FOR YOUR MARKET (E-4)

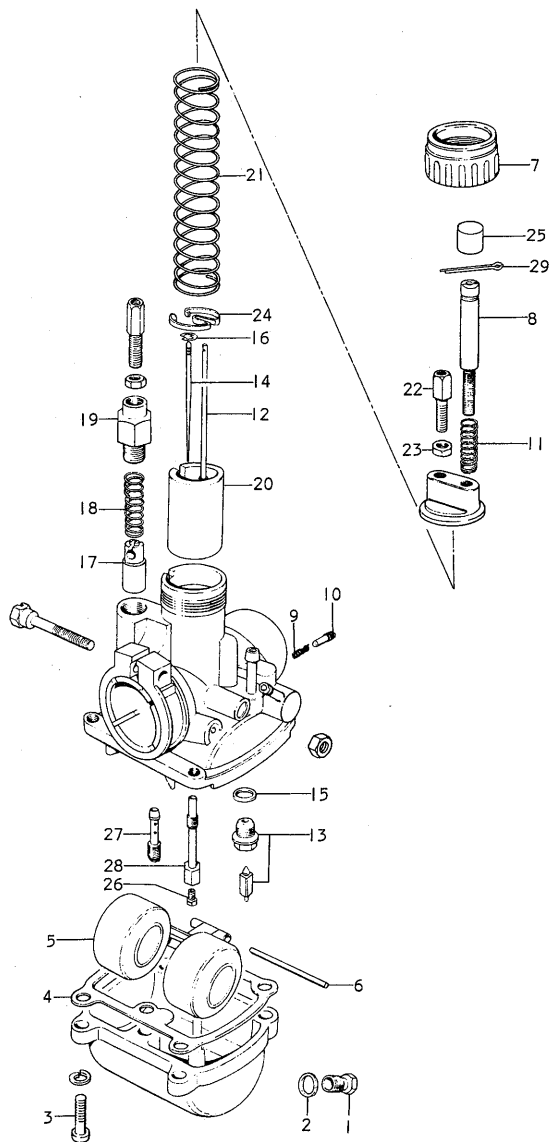


FIG.4 FOR YOUR MARKET (E-4)

Ref.No.	Part No.	Description	Q'ty			Remarks
			M	B	DB	
	13200-22650	CARBURETOR ASSY	1	-	-	
	13200-22660	CARBURETOR ASSY	-	1	1	
1	13247-05010	•PLUG, drain	1	1	1	
2	13249-05010	•GASKET, drain plug	1	1	1	
3	13248-05110	•SCREW	4	4	4	
4-1	13251-01010	•GASKET, float chamber	1	-	-	
4-2	13251-01011	•GASKET, float chamber	-	1	1	
5	13252-06110	•FLOAT	1	1	1	
6	13254-01010	•PIN	1	1	1	
7-1	13265-05010	•CAP, mixing chamber	1	-	-	
7-2	13265-05110	•CAP, mixing chamber	-	1	1	
8	13267-05010	•SCREW, throttle valve stop	1	1	1	
9	13268-05010	•SPRING, stop screw	1	1	1	
10	13269-01010	•SCREW, air	1	1	1	
11	13268-01010	•SPRING, air screw	1	1	1	
12-1	13296-22600	•ROD, throttle valve stop	1	-	-	
12-2	13296-05010	•ROD, throttle valve stop	-	1	1	
13	13370-35620	•VALVE ASSY, needle	1	1	1	
14	13383-19011	•NEEDLE, jet	1	1	1	
15	13392-01010	•GASKET, valve seat	1	1	1	
16	13394-12110	•CLIP, needle	1	1	1	
17	13411-01010	•GASKET, valve	1	1	1	
18	13417-01010	•SPRING, plunger	1	1	1	
19	13418-03110	•CAP, plunger	1	1	1	

FIG.4 FOR YOUR MARKET (E-4)

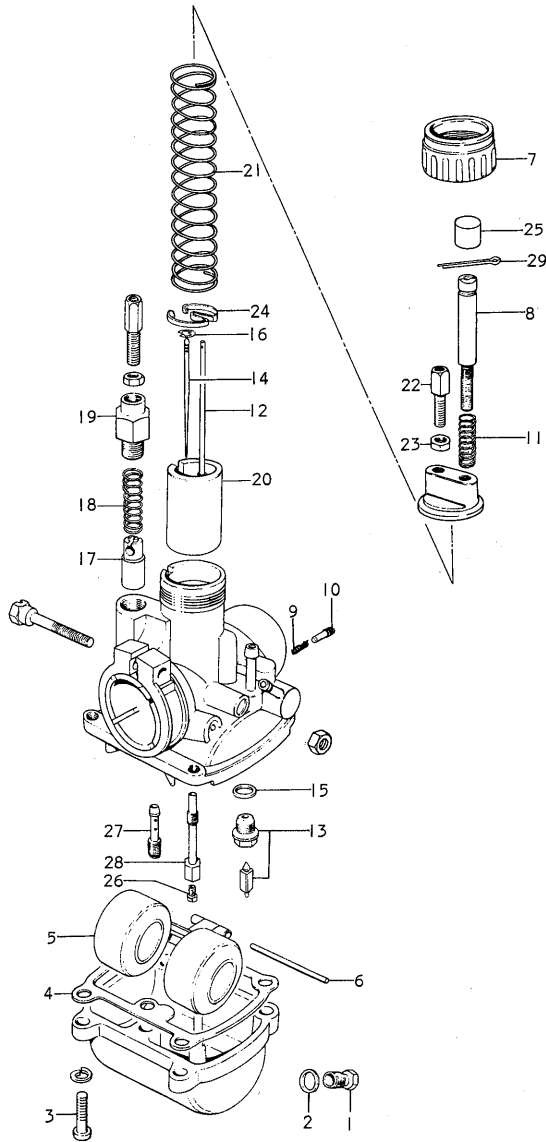


FIG.4 FOR YOUR MARKET (E-4)

Ref.No.	Part No.	Description	Q'ty			Remarks
			M	B	DB	
20	13551-22600	·VALVE, throttle	1	1	1	CA:2.5
21-1	13573-05010	·SPRING, throttle valve	-	1	1	
21-2	13573-35010	·SPRING, throttle valve	1	-	-	
22	13577-22600	·ADJUSTER, cable	2	2	2	
23	13661-03010	·NUT, cable adjuster	2	2	2	
24	13581-01010	·SEAT, spring	1	1	1	
25	13688-08010	·CAP	1	1	1	
26	09491-67001	·JET, main	1	1	1	#67.5
27	09492-17002	·JET, pilot	1	1	1	#20
28	09494-00171	·JET, needle	1	1	1	E-4
29	04111-12108	·COTTER PIN	1	1	1	

FIG.5 FOR YOUR MARKET (E-4)

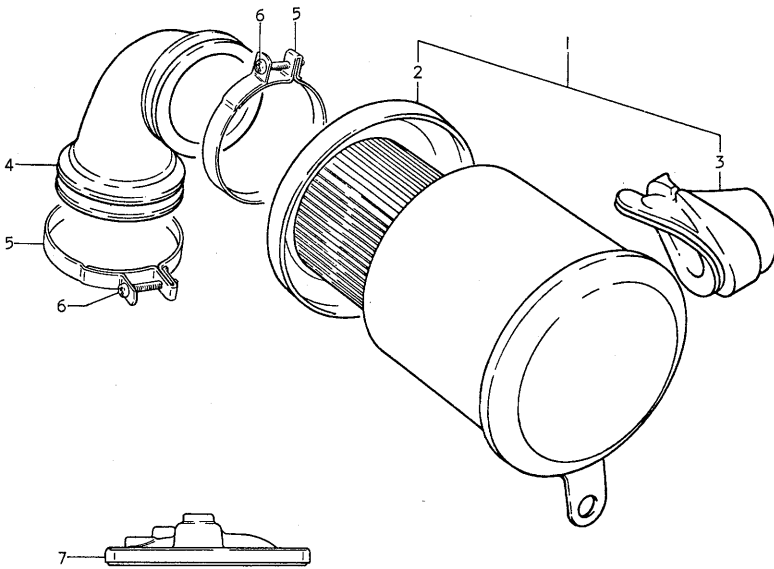


FIG.5 FOR YOUR MARKET (E-4)

Ref.No.	Part No.	Description	Q'ty			Remarks
			M	B	DB	
1	13700-22011-676	CLEANER ASSY, air	1	1	1	from 13700-22010-676
2	13780-22010	·FILTER	1	1	1	
3	13721-12010	·HOSE, air inlet	1	1	1	
4	13881-22001	HOSE, carburetor air inlet	1	1	1	
5	09402-62306	CLAMP, air inlet hose	2	2	2	
6	03211-04258	·SCREW	2	2	2	
7	11440-27200	COVER, carburetor	1	1	1	

FIG.6 FOR YOUR MARKET (E-4)

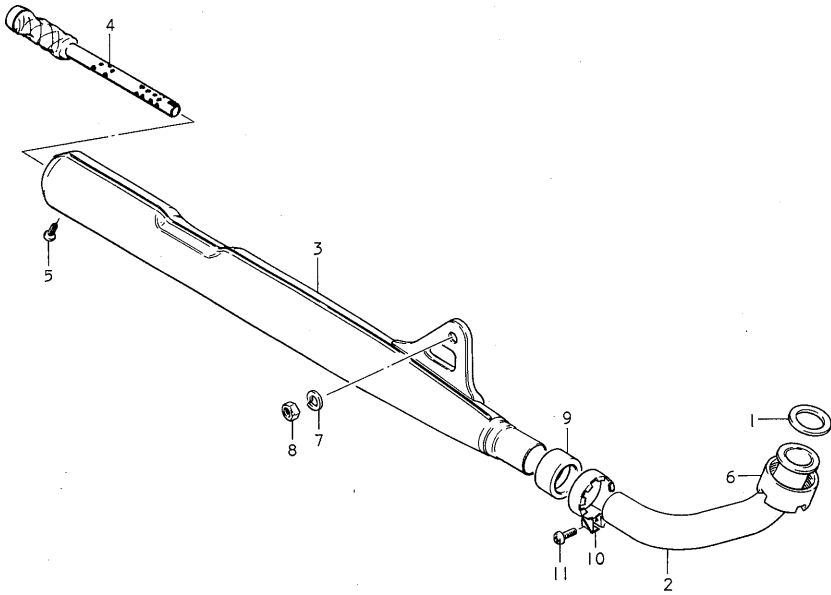




FIG.6 FOR YOUR MARKET (E-4)

Ref.No.	Part No.	Description	Q'ty			Remarks
			M	B	DB	
1	14181-19000	GASKET, exhaust pipe	1	1	1	
2-1	14150-22660	PIPE, exhaust	1	-	-	to 14150-22661
2-2	14150-22661	PIPE, exhaust	-	1	1	
3-1	14301-22670	MUFFLER	1	-	-	to 14301-22671
3-2	14301-22671	MUFFLER	-	1	1	
4	14510-06104	·PIPE, baffle	1	1	1	
5	02112-05068	·SCREW	1	1	1	
6	14182-03300	CLAMP	1	1	1	
7	08321-21088	LOCK WASHER	1	1	1	
8	08310-12088	NUT	1	1	1	
9	14771-19010	CONNECTOR, muffler	1	1	1	
10	09402-30701	CLAMP	1	1	1	
11	02112-06208	SCREW	1	1	1	

FIG.7 FOR YOUR MARKET (E-4)

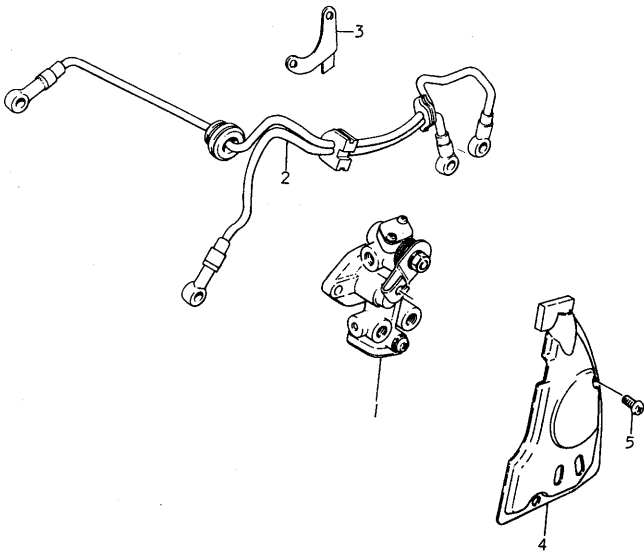


FIG.7 FOR YOUR MARKET (E-4)

Ref.No.	Part No.	Description	Q'ty			Remarks
			M	B	DB	
1	16100-19014	PUMP ASSY, oil	1	1	1	
2	16820-19032	HOSE, oil No.2	1	1	1	
3	16816-19000	CLAMP, oil hose No.2	1	1	1	
4	11385-19000	CAP, oil pump inspection	1	1	1	
5	02112-06108	SCREW	1	1	1	

FIG.8 FOR YOUR MARKET (E-4)

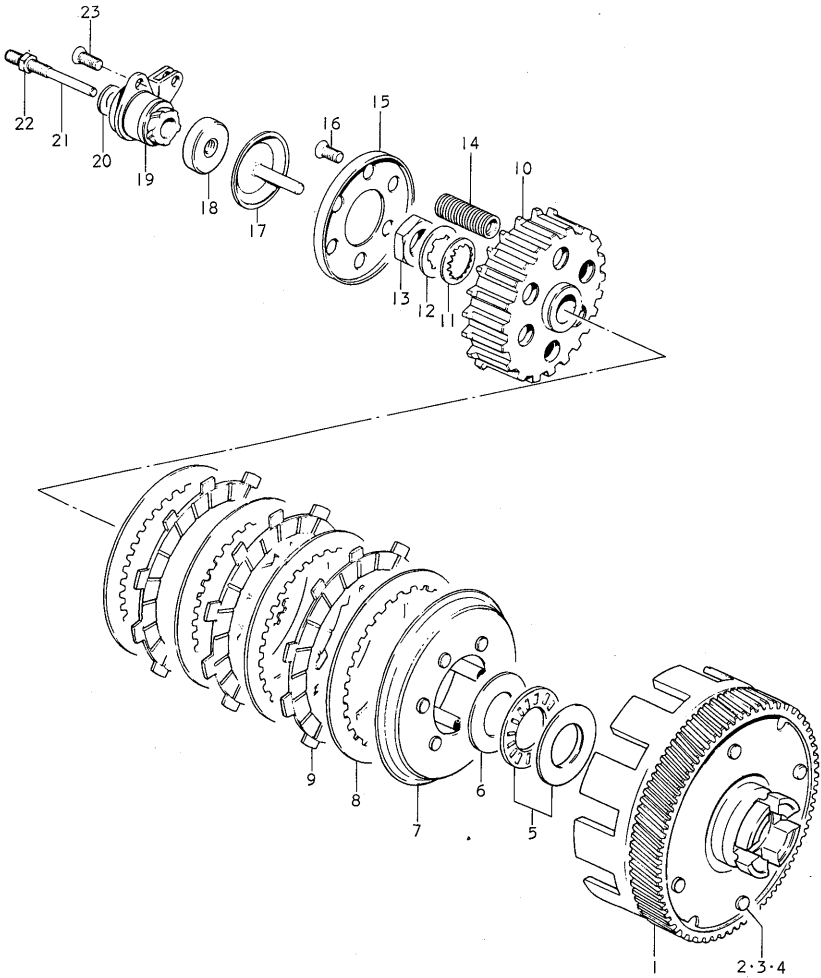


FIG.8 FOR YOUR MARKET (E-4)

Ref.No.	Part No.	Description	Q'ty			Remarks
			M	B	DB	
1	21200-22002	GEAR, primary driven	1	1	1	
2	21231-19040	•DAMPER, primary driven gear	4	4	4	
3	21241-22000	•PLATE, primary driven gear	1	1	1	
4	09221-05001	•RIVET	4	4	4	
5	09263-21006	BEARING	1	1	1	
6-1	08211-17342	THRUST WASHER	1	-	-	17x34x1.5
6-2	08211-17322	THRUST WASHER	-	1	1	17x32x1.5
7	21462-22000	PLATE, clutch pressure	1	1	1	
8	21451-22000	PLATE, clutch driven	4	4	4	
9	21441-07200	PLATE, clutch driven	3	3	3	
10	21411-22000	HUB, clutch sleeve	1	1	1	
11-1	08323-11168	LOCK WASHER	1	-	-	
11-2	09163-16001	LOCK WASHER	-	1	1	
12	09167-17001	WASHER, clutch sleeve hub	1	1	1	
13	09140-16001	NUT, clutch sleeve hub	1	1	1	
14	09440-14007	SPRING, clutch	6	6	6	
15	21466-07000	PLATE, clutch outer	1	1	1	
16	02122-05168	SCREW	6	6	6	
17	23121-22000	PIECE, clutch push	1	1	1	
18	09285-05005	OIL SEAL, clutch push rod	1	1	1	
19	23200-22000	SCREW ASSY, clutch release	1	1	1	
20	09160-06019	•WASHER, release adjusting	1	1	1	6.5x16x1.2
21	09134-06007	•SCREW, release adjusting	1	1	1	
22	08310-22068	•NUT	1	1	1	
23	02112-05168	SCREW	2	2	2	

FIG.9 FOR YOUR MARKET (E-4)

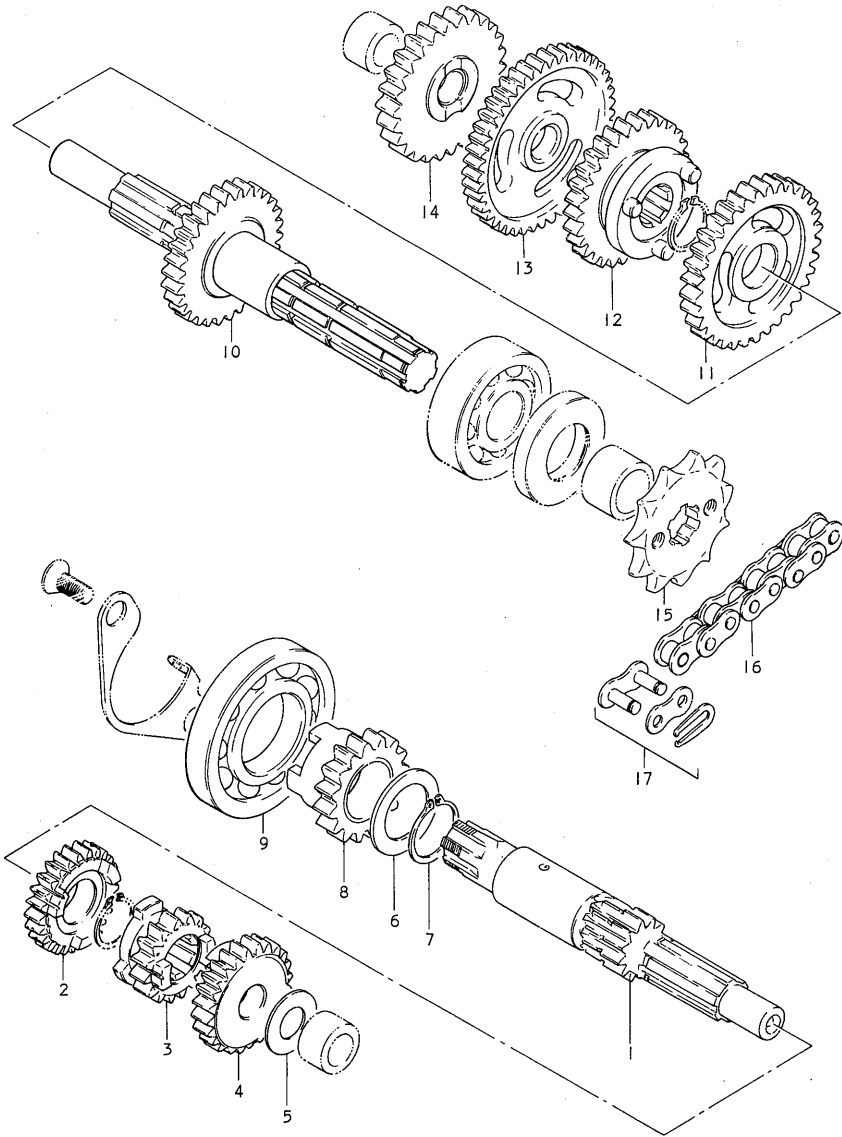


FIG.9 FOR YOUR MARKET (E-4)

Ref.No.	Part No.	Description	Q'ty			Remarks
			M	B	DB	
1	24121-22100	COUNTERSHAFT	1	1	1	
2	24231-22100	GEAR, 3rd drive	1	1	1	NT:19
3	24221-22100	GEAR, 2nd drive	1	1	1	NT:15
4	24241-22100	GEAR, 4th drive	1	1	1	NT:25
5	08211-12261	THRUST WASHER	1	1	1	12x26x1
6	09160-21005	THRUST WASHER, countershaft	1	1	1	21x30x1
7	08331-11219	CIRCLIP	1	1	1	
8	26280-19000	GEAR, kick starter drive	1	1	1	NT:16
9	09262-30003	BEARING	1	1	1	
10	24130-22610	DRIVESHAFT	1	1	1	
11	24321-22100	GEAR, 2nd drive	1	1	1	NT:33
12	24331-22100	GEAR, 3rd driven	1	1	1	NT:30
13	24310-22100	GEAR, 1st driven	1	1	1	NT:44
14	26260-19002	GEAR, kick starter idle	1	1	1	NT:26
15	27511-01710	SPROCKET, engine	1	1	1	NT:12
16	27600-05011	CHAIN ASSY, drive	1	1	1	
17	27620-01011	JOINT, drive chain	1	1	1	

FIG.10 FOR YOUR MARKET (E-4)

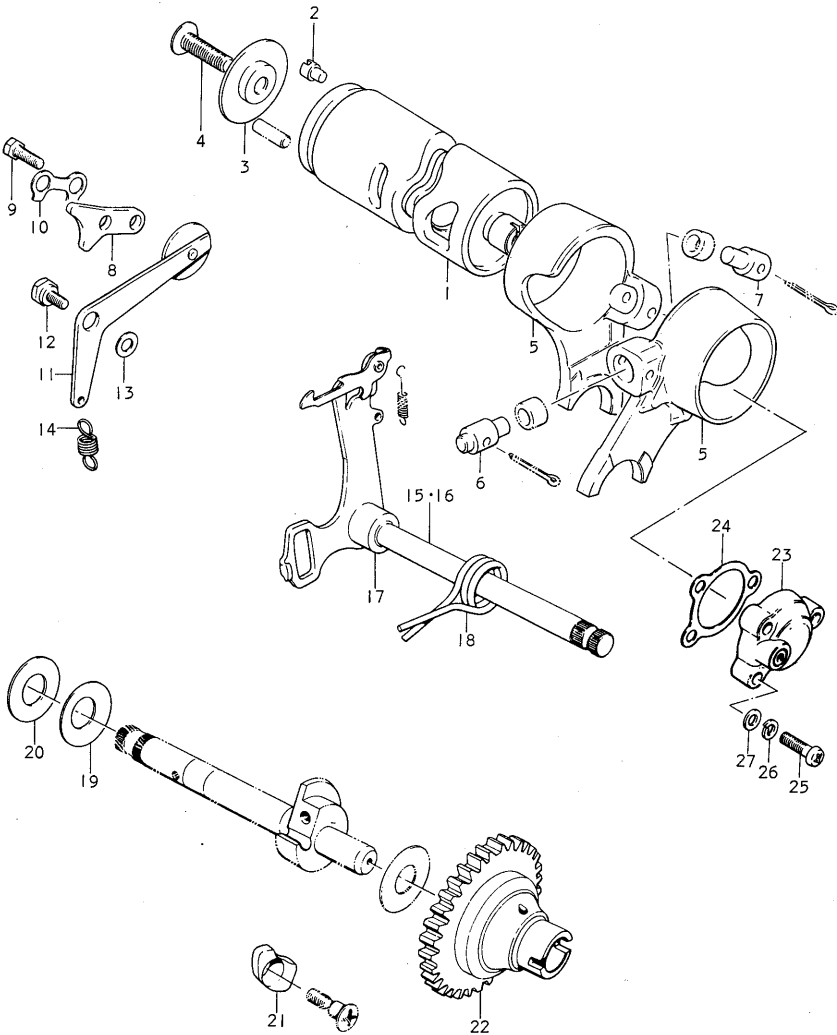




FIG.10 FOR YOUR MARKET (E-4)

Ref.No.	Part No.	Description	Q'ty			Remarks
			M	B	DB	
1	25311-22610	CAM, gear shifting	1	1	1	
2	09201-04003	PIN, shifting cam drive No.2	1	1	1	
3	25322-02000	RETAINER, drive pin	1	1	1	to 25322-35000
4	02122-06208	SCREW	1	1	1	
5	25211-22100	FORK, gear shifting	2	2	2	
6	09209-10002	PIN, shifting fork guide No.1	1	1	1	
7	09209-10010	PIN, shifting fork guide No.2	1	1	1	
8	25341-23000	GUIDE, shift cam	1	1	1	
9	01107-06168	BOLT	2	2	2	
10	09169-06003	WASHER, shift cam guide	1	-	-	
11	25350-23000	STOPPER, shift cam	1	1	1	
12	09111-06003	BOLT, shift cam stopper	1	1	1	
13	08322-21068	WASHER	1	1	1	
14	09443-07014	SPRING, shift cam stopper	1	1	1	
15	25510-22100	SHAFT, gear shifting	1	-	-	
16	25510-22102	SHAFT, gear shifting	1	1	1	
17	09180-12068	SPACER	1	1	1	
18	09444-26005	SPRING, shifting shaft return	1	1	1	
19	09164-14004	WASHER	1	1	1	
20	09160-14016	THRUST WASHER	1	1	1	14x29x0.8
21	26232-06000	LIFTER, starter pawl	1	1	1	
22	26241-35000	GEAR, kick starter drive	1	1	1	
23	37721-05100	BODY, gear shifting switch	1	1	1	
24	37712-01000	GASKET, gear shifting switch	1	1	1	
25	02112-04208	SCREW	3	3	3	
26	08321-21048	LOCK WASHER	3	3	3	
27	08322-21048	WASHER	3	3	3	

FIG.11 FOR YOUR MARKET (E-4)

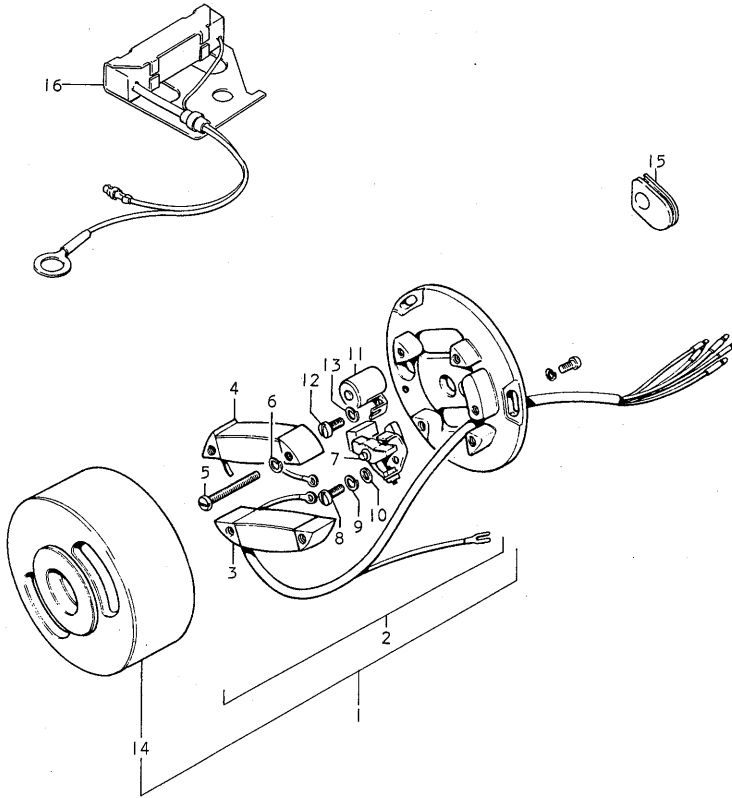


FIG.11 FOR YOUR MARKET (E-4)

Ref.No.	Part No.	Description	Q'ty			Remarks
			M	B	DB	
1	32100-22011	MAGNETO ASSY	1	-	-	
2	32101-22010	•STATOR ASSY	1	-	-	
3	32120-03110	••COIL, lighting	1	-	-	
4	32140-26111	••COIL, primary	1	-	-	
5	02112-04258	••SCREW	4	-	-	
6	08321-21048	••LOCK WASHER	4	-	-	
7	32240-28010	••POINT ASSY, contact	1	-	-	
8	02111-04107	••SCREW	1	-	-	
9	08321-21048	••LOCK WASHER	1	-	-	
10	08322-21048	••WASHER	1	-	-	
11	32341-03110	••CONDENSER	1	-	-	
12	02111-04107	••SCREW	1	-	-	
13	08321-21058	••LOCK WASHER	1	-	-	
14	32102-22011	•ROTOR, flywheel	1	-	-	
15	09309-09006	GROMMET, magneto	-	1	-	
16	36500-35013	RESISTOR ASSY, magneto	-	1	1	

FIG.12 FOR YOUR MARKET (E-4)

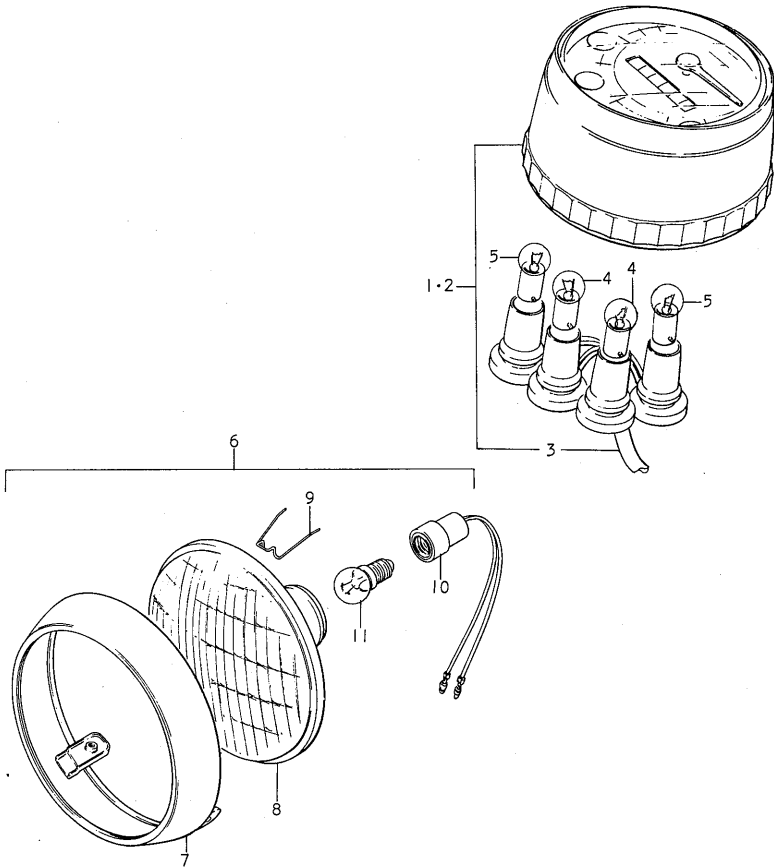


FIG.12 FOR YOUR MARKET (E-4)

Ref.No.	Part No.	Description	Q'ty			Remarks
			M	B	DB	
1	34100-26011	SPEEDOMETER ASSY	1	-	-	
2	34100-26014	SPEEDOMETER ASSY	-	1	1	
3	34170- <sup>26010</sup> <del>25011</del>	•SOCKET	1	1	1	
4	09471-06002	•BULB	2	2	2	6V, 3W
5	09471-06001	•BULB	1	1	1	6V, 1.7W
6	35100-22640	HEADLAMP ASSY	1	1	1	
7	35111-27660	•RIM	1	1	1	
8	35121-22640	•UNIT	1	1	1	
9	35128-27660	•CLAMP	3	3	3	
10	35171-22640	•SOCKET	1	1	1	
11	09471-06038	•BULB	1	1	1	

FIG.13 FOR YOUR MARKET (E-4)

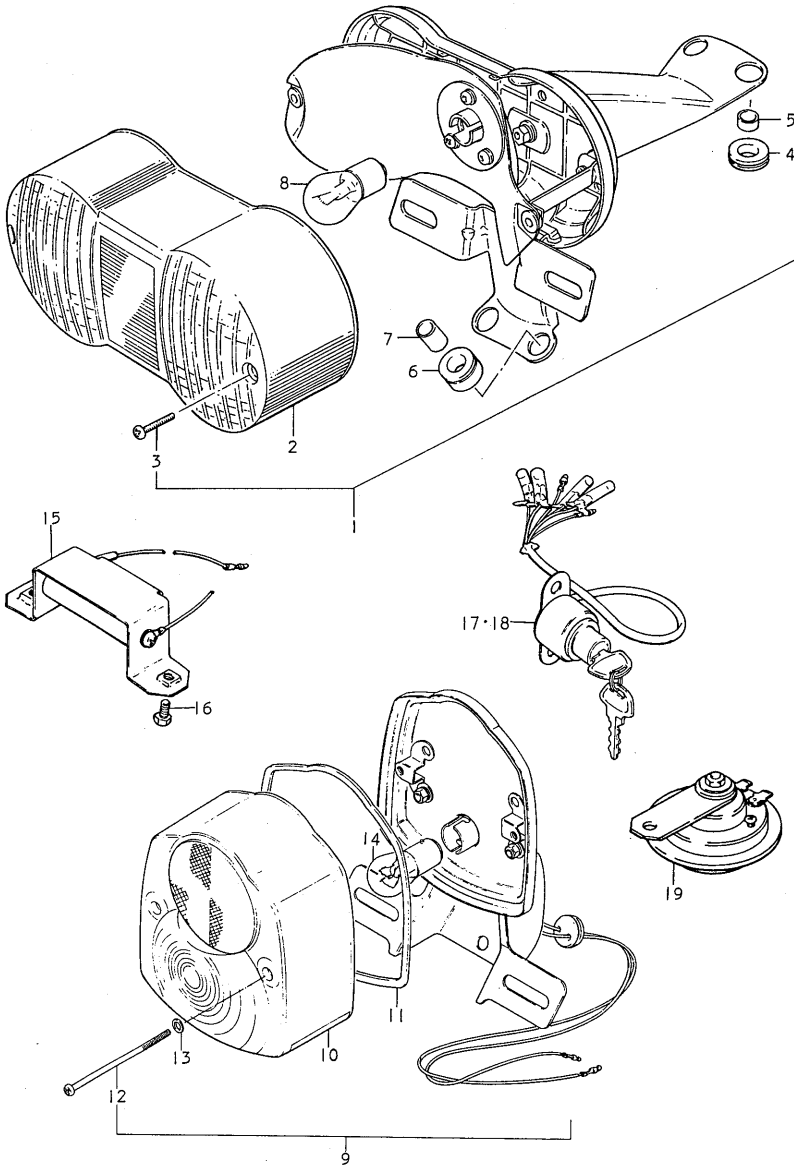


FIG.13 FOR YOUR MARKET (E-4)

Ref.No.	Part No.	Description	Q'ty			Remarks
			M	B	DB	
1	35710-22621	LAMP ASSY, rear combination	1	-	-	
2	35712-27660	•LENS	1	-	-	
3	02112-04208	•SCREW	2	-	-	
4	35765-15010	•CUSHION	2	-	-	
5	35766-15010	•SPACER	2	-	-	
6	35765-22210	•CUSHION	2	-	-	
7	35766-22210	•SPACER	2	-	-	
8	09471-06034	•BULB (Executed locally) 6V, 21/5W	1	-	-	PHILIPS/HELLA WVK15826
9	35710-22650-999	LAMP ASSY, rear combination	-	1	1	
10	35712-46620	•LENS	-	1	1	
11	35713-46620	•GASKET	-	1	1	
12	02111-04508	•SCREW	-	2	2	
13	35627-43010	•GASKET	-	2	2	
14	09471-06034	BULB (Executed locally) 6V, 21/5W	-	1	1	PHILIPS/HELLA WVK15826
15	36510-22610	RESISTOR ASSY, city lamp	1	-	-	
16	01104-05088	BOLT	2	-	-	
17	37110-21012	SWITCH ASSY, ignition	1	-	-	
18	37110-22600	SWITCH ASSY, ignition	-	1	1	
19	38500-30641	HORN ASSY	1	1	1	from 38500-30640

FIG.14 FOR YOUR MARKET (E-4)

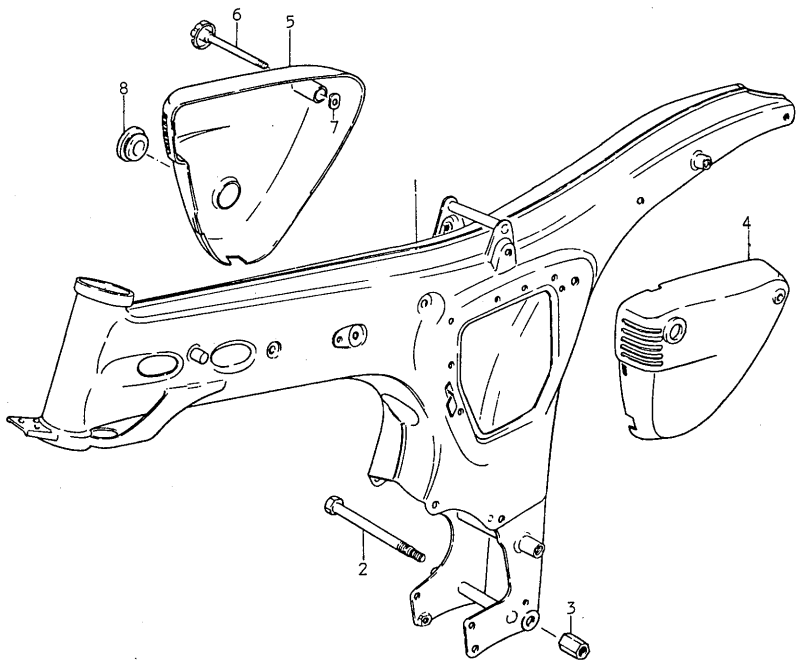




FIG.14 FOR YOUR MARKET (E-4)

Ref.No.	Part No.	Description	Q'ty			Remarks
			M	B	DB	
1	41100-22500-019	FRAME	1	-	-	
2	42221-03001	BOLT, center stand	1	1	1	from 42221-03000
3	42231-09000	NUT, center stand	1	1	1	
4-1	47211-22501-797	COVER, frame LH	1	-	-	
4-2	47211-22501-00U	COVER, frame LH	1	-	-	
5-1	47111-22502-797	COVER, frame RH	1	-	-	
5-2	47111-22502-00U	COVER, frame RH	1	-	-	
6	47130-03001	KNOB	1	-	-	
7	09152-06002	NUT	1	-	-	
8	09250-25001	CAP	1	-	-	

FIG.15 FOR YOUR MARKET (E-4)

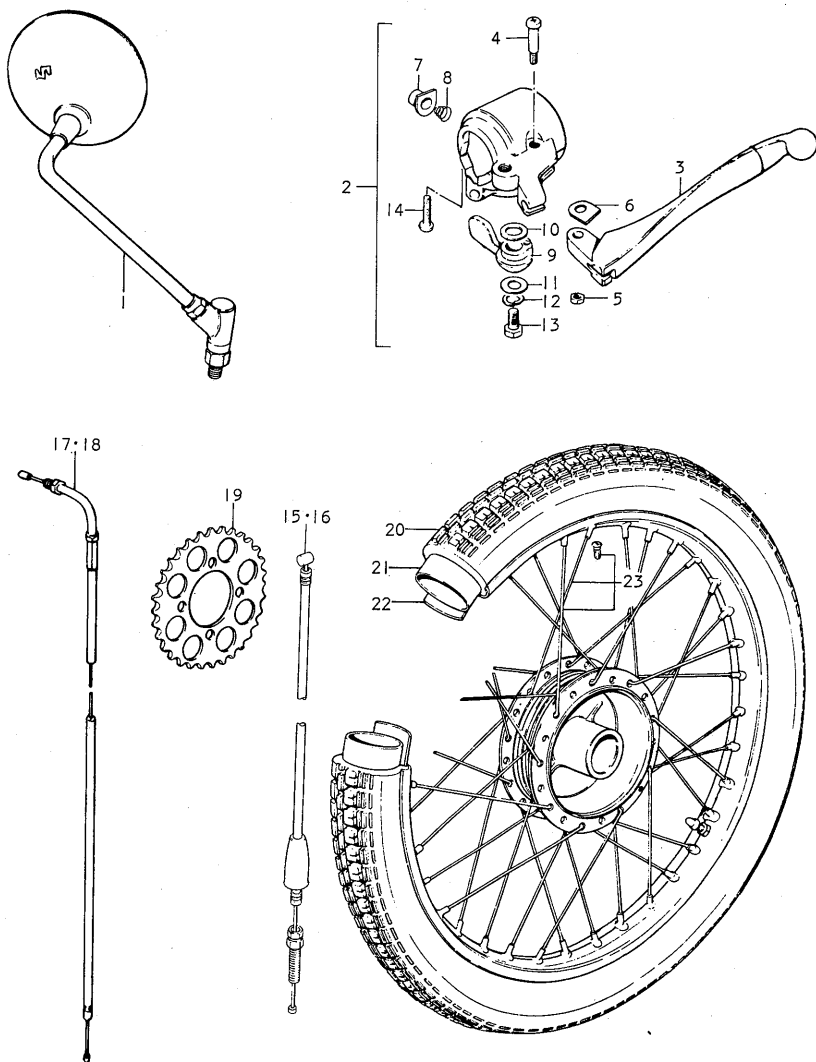


FIG.15 FOR YOUR MARKET (E-4)

Ref.No.	Part No.	Description	Q'ty			Remarks
			M	B	DB	
1	56500-22600	MIRROR ASSY, rear view	1	1	1	
2	57500-22620	CLUTCH LEVER & SWITCH ASSY	1	1	1	
3	57621-27210	·CLUTCH LEVER	1	1	1	
4	57431-01011	·SCREW	1	1	1	
5	08310-11058	·NUT	1	1	1	
6	57435-20010	·SPACER	1	1	1	
7	57370-01311	·BUTTON, horn	1	1	1	
8	57382-01311	·SPRING	1	1	1	
9	58721-25611	·LEVER, starter	1	1	1	
10	58722-03010	·WASHER	1	1	1	
11	58723-03010	·WASHER	1	1	1	
12	08321-21068	·LOCK WASHER	1	1	1	
13	01107-06128	·BOLT	1	1	1	
14	09125-05105	·SCREW	2	2	2	
15	58200-05700	CABLE ASSY, clutch	-	1	1	75mm
16	58200-07711	CABLE ASSY, clutch	-	1	1	125mm
17	58300-22610	CABLE ASSY, throttle	1	-	-	For Semi-Western
18	58300-22620	CABLE ASSY, throttle	1	-	-	For Flat
19	64511-27600	SPROCKET, rear	1	1	1	
20	65100-35010	TIRE	1	1	1	
21	55200-03600	TUBE ASSY, wheel inner	1	1	1	
22	55311-07020	RIM, wheel	1	1	1	
23	65300-03817	SPOKE SET, rear	1	1	1	

FIG.16 FOR YOUR MARKET (E-4)

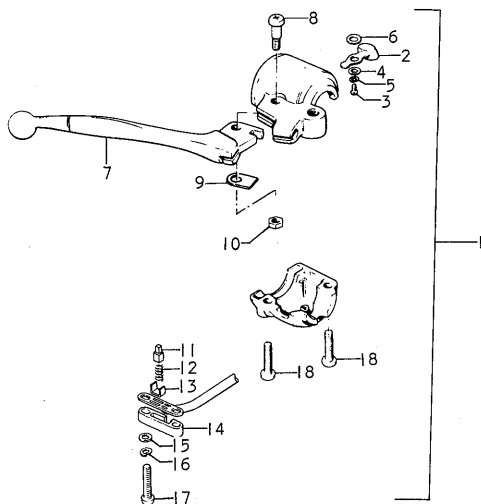


FIG.16 FOR YOUR MARKET (E-4)

Ref.No.	Part No.	Description	Q'ty B DB	Remarks
1	57300-27014	BRAKE LEVER SWITCH ASSY	1 1	
2	57320-01011	•KNOB, dimmer switch	1 1	
3	09125-03103	•SCREW	1 1	
4	08322-21038	•WASHER	1 1	
5	08321-21038	•LOCK WASHER	1 1	
6	57334-01010	•WASHER, lever adjuster	1 1	
7	57421-27210	•LEVER, brake	1 1	
8	57431-01011	•SCREW	1 1	
9	57435-20010	•SPACER	1 1	
10	08310-11058	•NUT	1 1	
11	57461-18600	•HOLDER, stop switch contact plate	1 1	
12	57462-18600	•SPRING	1 1	
13	57463-18600	•PLATE	1 1	
14	57481-33010	•COVER	1 1	
15	08322-21038	•WASHER	2 2	
16	08321-21038	•LOCK WASHER	2 2	
17	09125-03105	•SCREW	2 2	
18	09125-05105	•SCREW	2 2	



## SUZUKI A50P for E22

### FOREWORD

This parts catalogue contains the parts for exclusive use of the SUZUKI A50P of E22 spec. specially designed for your market.

Concerning parts unlisted in this catalogue, refer to the standard SUZUKI A50P E2 parts catalogue.



FIG.17 FOR YOUR MARKET (E-22)

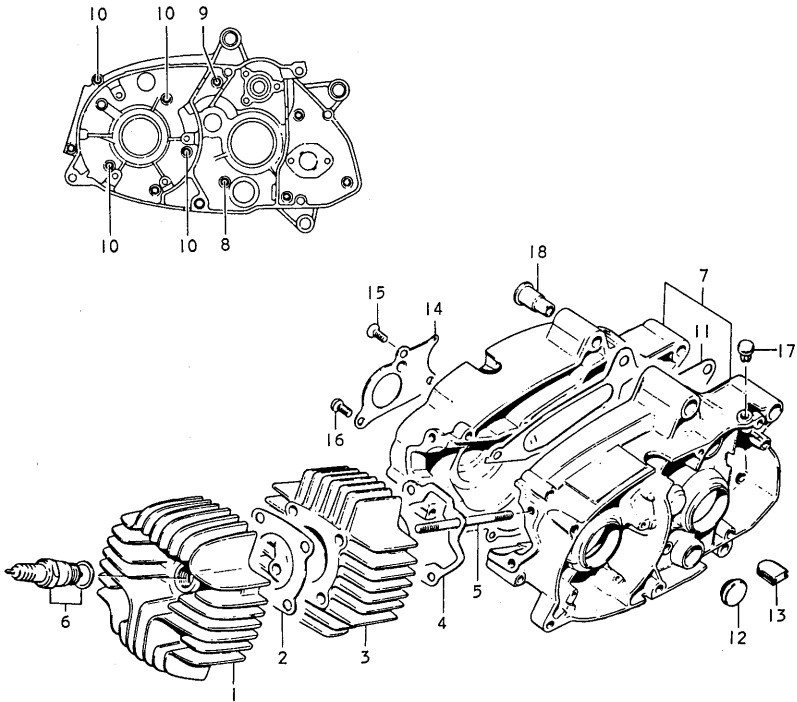




FIG.17 FOR YOUR MARKET (E-22)

Ref.No.	Part No.	Description	Q'ty M	Remarks
1	11111-19001	CYLINDER HEAD	1	
2	11141-22600	GASKET, cylinder	1	
3	11211-19001	CYLINDER	1	
4	11241-19000	GASKET, cylinder	1	
5	01421-06958	STUD BOLT	4	
6	09482-00105	SPARK PLUG	1	BP-7HS NGK
7	11300-22860	CRANKCASE ASSY	1	
8	02112-06608	·SCREW	1	
9	02112-06557	·SCREW	1	
10	02112-06408	·SCREW	4	
11	11481-22001	·GASKET, crankcase	1	
12	09250-15002	CAP, oil hose	1	
13	09259-13001	PLUG	1	
14	12521-19002	PLATE, oil reservoir	1	
15	02122-06128	SCREW	2	
16	02112-06128	SCREW	1	
17	09250-10005	PLUG, breather	1	
18	09319-08008	BUSHING, engine mounting	4	

FIG.18 FOR YOUR MARKET (E-22)

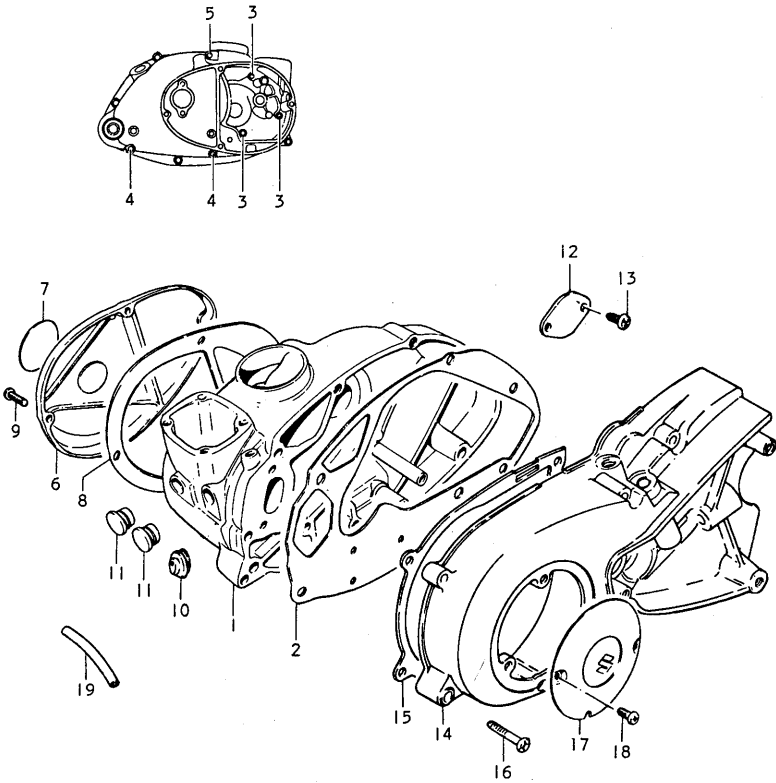


FIG.18 FOR YOUR MARKET (E-22)

Ref.No.	Part No.	Description	Q'ty M	Remarks
1	11340-22620	COVER, crankcase RH	1	
2	11482-22000	GASKET	1	
3	02112-06258	SCREW	3	
4	02112-06657	SCREW	2	
5	02112-06808	SCREW	1	
6	11383-22001	CAP, carburetor inspection	1	
7	68234-25300	EMBLEM	1	
8	11492-22000	GASKET	1	
9	02111-05207	SCREW	4	
10	09309-07005	GROMMET	1	
11	09250-14002	CAP, carburetor hole	2	
12	16745-16701	CAP, oil pump drive shaft	1	
13	02112-05128	SCREW	2	
14	11351-22620	COVER, crankcase LH	1	
15	11483-22001	GASKET	1	
16	02112-06508	SCREW	2	
17	11381-01001	CAP, generator inspection	1	
18	02111-05087	SCREW	2	
19	09344-03014	HOSE, carburetor over flow	1	

FIG.19 FOR YOUR MARKET (E-22)

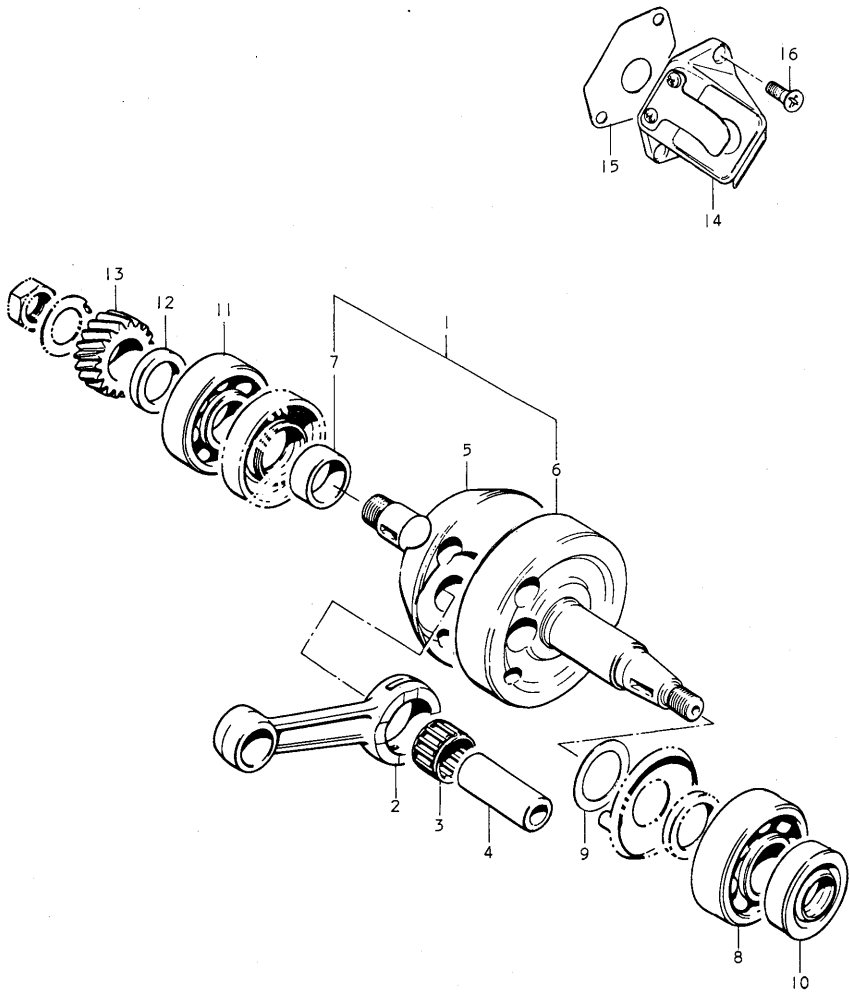


FIG.19 FOR YOUR MARKET (E-22)

Ref.No.	Part No.	Description	Q'ty M	Remarks
1	12200-35892	CRANKSHAFT ASSY	1	
2	12161-35000	·ROD, connecting	1	
3	09263-16002	·BEARING, crank pin	1	
4	12211-19000	·PIN, crank	1	
5	12221-35000	·CRANKSHAFT, RH	1	
6	12261-35000	·CRANKSHAFT, LH	1	
7	09180-17026	·SPACER, crankshaft RH	1	
8	08113-62040	BEARING, LH crankshaft	1	
9	08221-20306	SHIM, crankshaft LH	1	
10	09283-23001	OIL SEAL, crankshaft LH	1	
11	08113-63030	BEARING	1	
12	09180-17027	SPACER, primary drive gear	1	
13	21111-19002	GEAR, primary drive	1	
14	13150-22600	VALVE ASSY, read	1	
15	13156-22600	GASKET	1	
16	02121-05167	SCREW	2	

FIG.20 FOR YOUR MARKET (E-22)

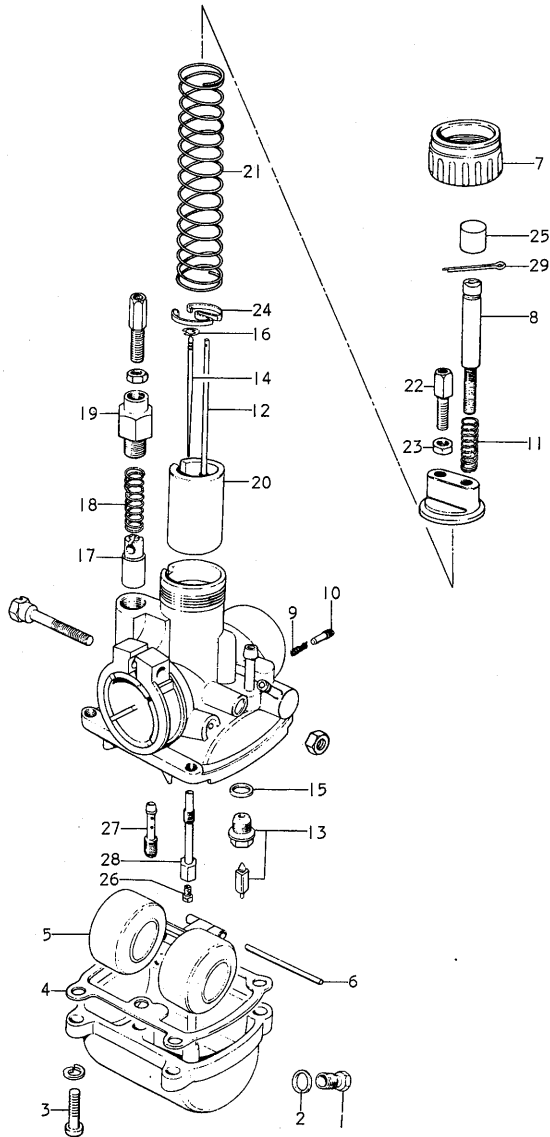


FIG.20 FOR YOUR MARKET (E-22)

Ref.No.	Part No.	Description	Q'ty	Remarks
	13200-22650	CARBURETOR ASSY	1	
1	13247-05010	•PLUG, drain	1	
2	13249-05010	•GASKET, drain plug	1	
3	13248-05110	•SCREW	4	
4	13251-01010	•GASKET, float chamber	1	
5	13252-06110	•FLOAT	1	
6	13254-01010	•PIN	1	
7	13265-05010	•CAP, mixing chamber	1	
8	13267-05010	•SCREW, throttle valve stop	1	
9	13268-05010	•SPRING, stop screw	1	
10	13269-01010	•SCREW, air	1	
11	13268-01010	•SPRING, air screw	1	
12	13296-22600	•ROD, throttle valve stop	1	
13	13370-35620	•VALVE ASSY, needle	1	
14	13383-19011	•NEEDLE, jet	1	
15	13392-01010	•GASKET, valve seat	1	
16	13394-12110	•CLIP, needle	1	
17	13411-01010	•GASKET, valve	1	
18	13417-01010	•SPRING, plunger	1	
19	13418-03110	•CAP, plunger	1	
20	13551-22600	•VALVE, throttle	1	CA:2.5
21	13573-35010	•SPRING, throttle valve	1	
22	13577-22600	•ADJUSTER, cable	2	
23	13661-03010	•NUT, cable adjuster	2	
24	13581-01010	•SEAT, spring	1	
25	13688-08010	•CAP	1	

FIG.20 FOR YOUR MARKET (E-22)

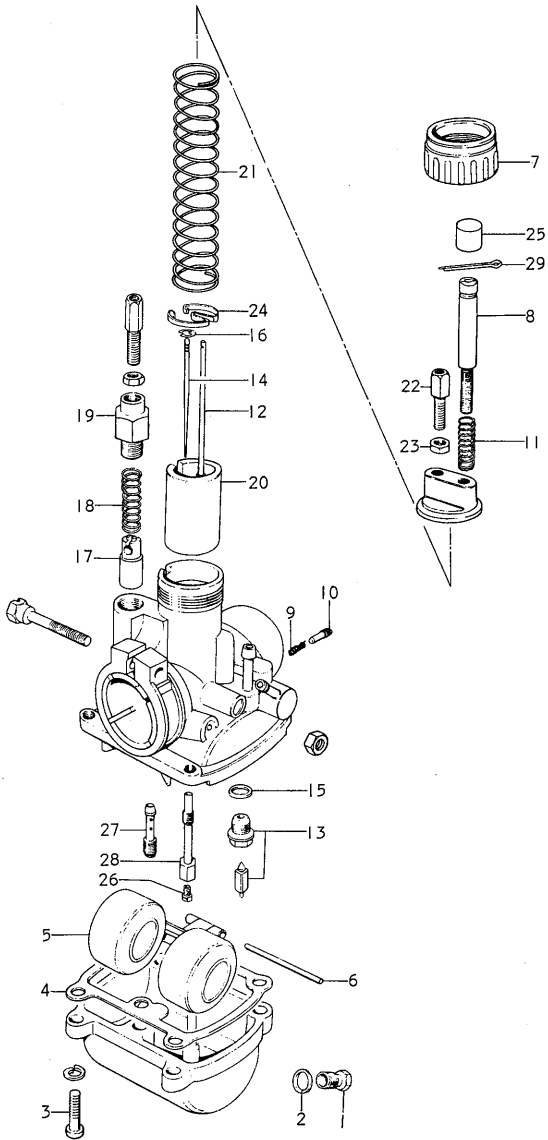




FIG.20 FOR YOUR MARKET (E-22)

Ref.No.	Part No.	Description	Q'ty	Remarks
26	09491-67001	·JET, main	1	#67.5
27	09492-17002	·JET, pilot	1	#20
28	09494-00171	·JET, needle	1	E-4
29	04111-12108	·COTTER PIN	1	

FIG.21 FOR YOUR MARKET (E-22)

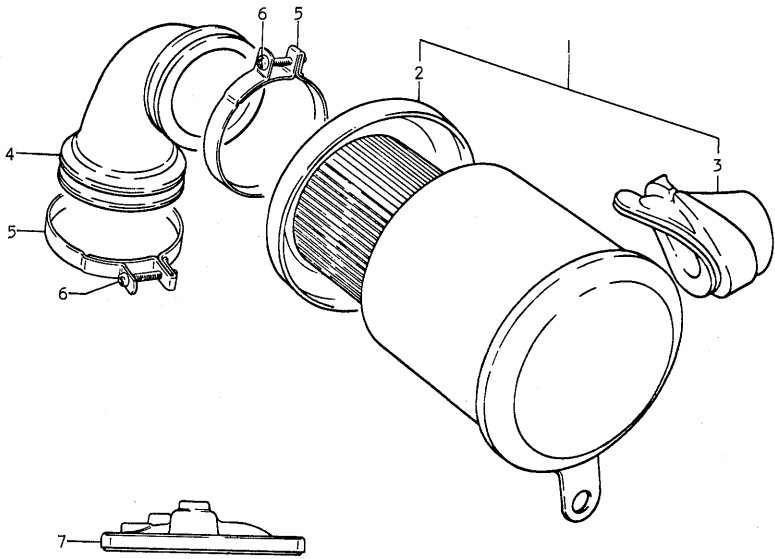


FIG.21 FOR YOUR MARKET (E-22)

Ref.No.	Part No.	Description	Q'ty M	Remarks
1	13700-22011-676	CLEANER ASSY, air	1	
2	13780-22010	•FILTER	1	
3	13721-12010	•HOSE, air inlet	1	
4	13881-22001	HOSE, carburetor air inlet	1	
5	09402-62306	CLAMP, air inlet hose	2	
6	03211-04258	•SCREW	2	
7	11440-27200	COVER, carburetor top	1	

FIG.22 FOR YOUR MARKET (E-22)

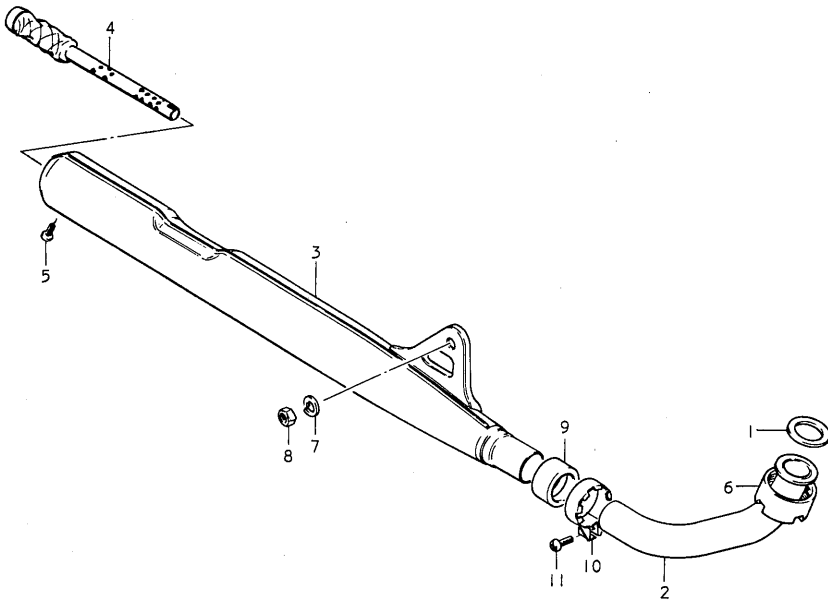


FIG.22 FOR YOUR MARKET (E-22)

Ref.No.	Part No.	Description	Q'ty M	Remarks
1	14181-19000	GASKET, exhaust pipe	1	
2	14150-22660	PIPE, exhaust	1	
3	14301-22660	MUFFLER	1	
4	14510-06104	PIPE, baffle	1	
5	02112-05068	SCREW	1	
6	14182-03300	CLAMP	1	
7	08321-21088	LOCK WASHER	1	
8	08312-11088	NUT	1	
9	14771-19010	CONNECTOR, muffler	1	
10	09402-30701	CLAMP	1	
11	02112-06208	SCREW	1	

FIG.23 FOR YOUR MARKET (E-22)

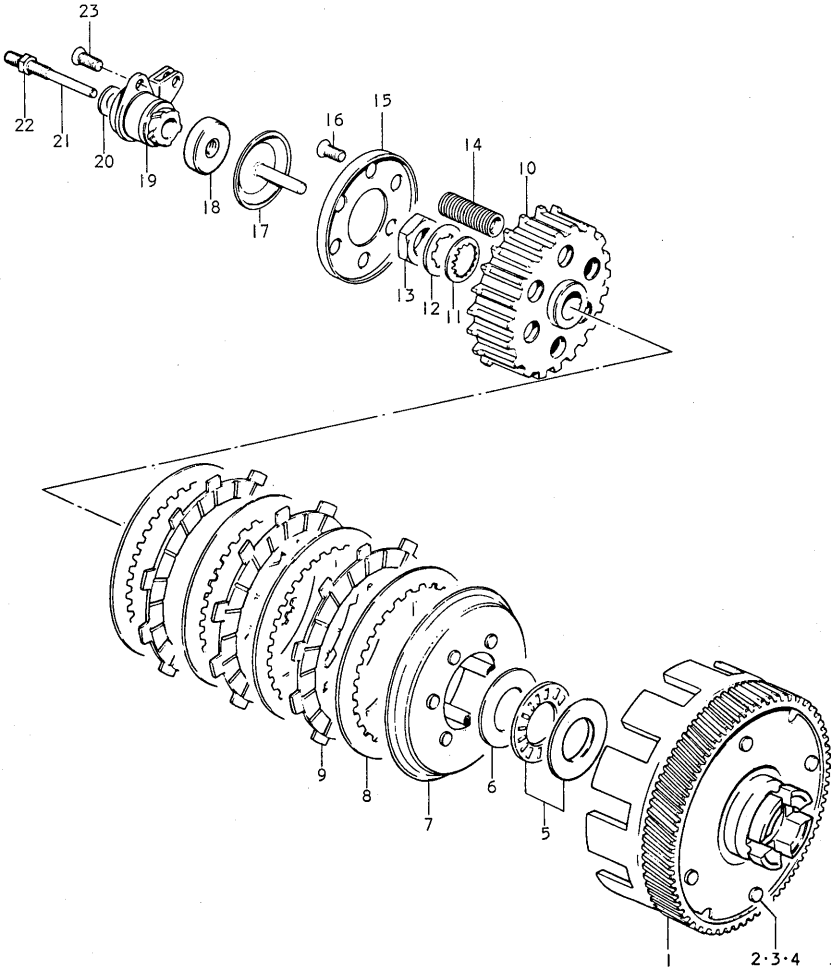


FIG.23 FOR YOUR MARKET (E-22)

Ref.No.	Part No.	Description	Q'ty M	Remarks
1	21200-22002	GEAR, primary driven	1	
2	21231-19040	·DAMPER, primary driven gear	4	
3	21241-22000	·PLATE, primary driven gear	1	
4	09221-05001	·RIVET	4	
5	09263-21006	BEARING	1	
6	08211-17342	THRUST WASHER	1	17x34x1.5
7	21462-22000	PLATE, clutch pressure	1	
8	21451-22000	PLATE, clutch driven	4	
9	21441-07200	PLATE, clutch drive	3	
10	21411-22000	HUB, clutch sleeve	1	
11	09163-16001	LOCK WASHER	1	
12	09167-17001	WASHER, clutch sleeve hub	1	
13	09140-16001	NUT, clutch sleeve hub	1	
14	09440-14007	SPRING, clutch	6	
15	21466-07000	PLATE, clutch outer	1	
16	02121-05167	SCREW	6	
17	23121-22000	PIECE, clutch push	1	
18	09285-05005	OIL SEAL, clutch push rod	1	
19	23200-22000	SCREW ASSY, clutch release	1	
20	09160-06019	·WASHER, release adjusting	1	6.5x16x1.2
21	09134-06007	·SCREW, release adjusting	1	
22	08310-22068	·NUT	1	
23	02112-05168	SCREW	2	

FIG.24 FOR YOUR MARKET (E-22)

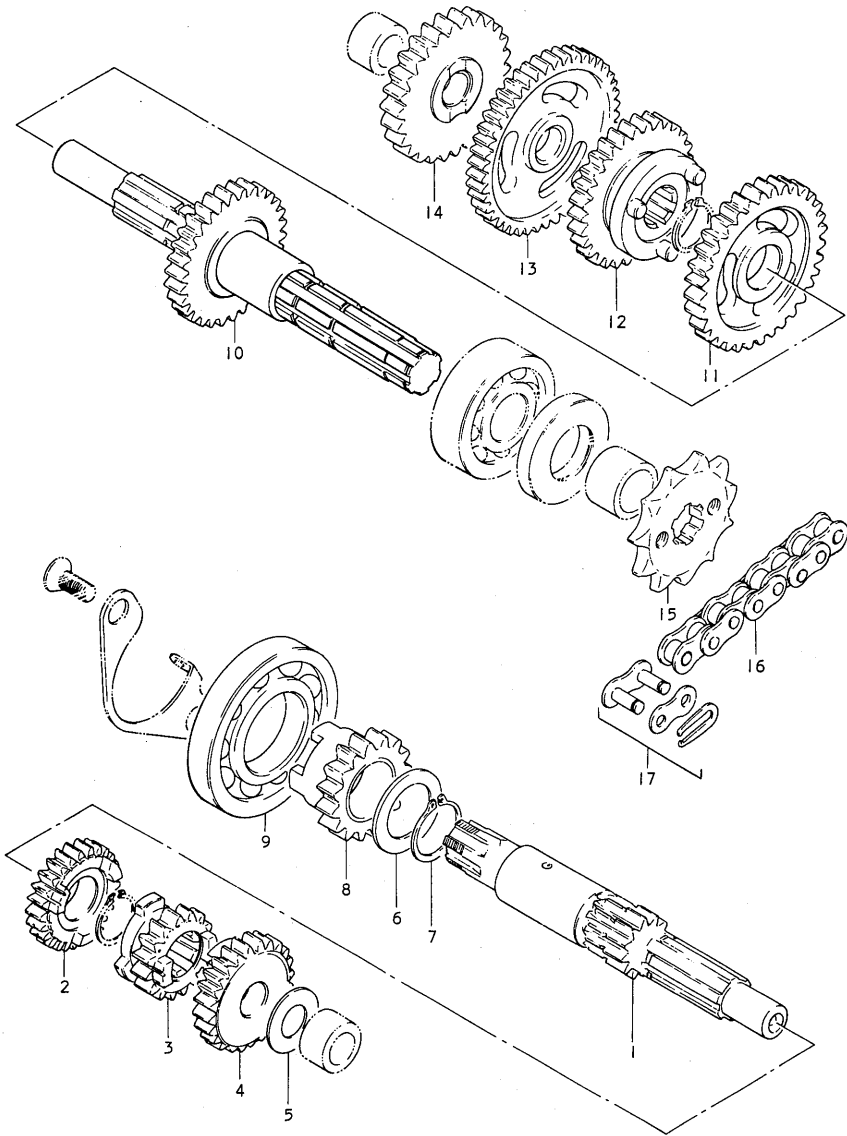




FIG.24 FOR YOUR MARKET (E-22)

Ref.No.	Part No.	Description	Q'ty M	Remarks
1	24121-22100	COUNTERSHAFT	1	
2	24231-22100	GEAR, 3rd drive	1	NT:19
3	24221-22100	GEAR, 2nd drive	1	NT:15
4	24241-22100	GEAR, 4th drive	1	NT:25
5	08211-12261	THRUST WASHER	1	12x26x1
6	09160-21005	THRUST WASHER, countershaft	1	21x30x1
7	08331-11219	CIRCLIP	1	
8	26280-19000	GEAR, kick starter drive	1	NT:16
9	09262-30003	BEARING	1	
10	24130-22610	DRIVESHAFT	1	
11	24321-22100	GEAR, 2nd drive	1	NT:33
12	24331-22100	GEAR, 3rd driven	1	NT:30
13	24310-22100	GEAR, 1st driven	1	NT:44
14	26260-19002	GEAR, kick starter idle	1	
15	27511-01700	SPROCKET, engine	1	NT:26
16	27600-05011	CHAIN ASSY, drive	1	
17	27620-01011	JOINT, drive chain	1	

FIG. 25 FOR YOUR MARKET (E-22)

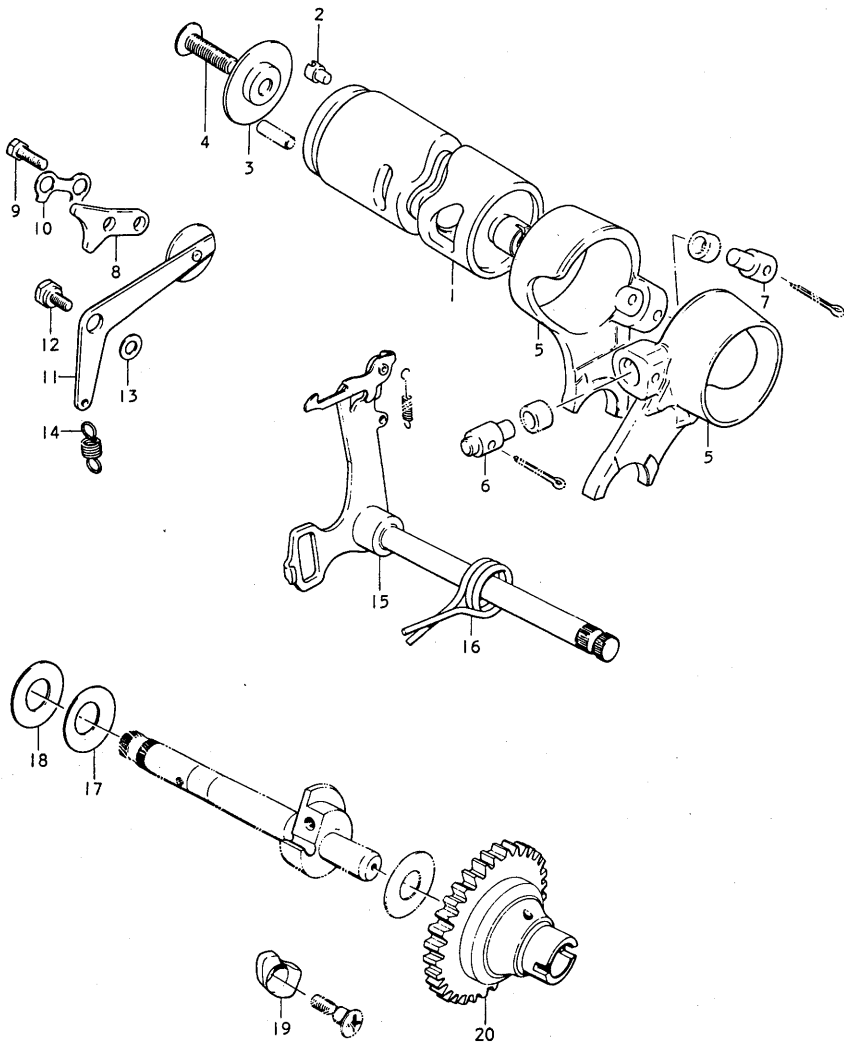


FIG.25 FOR YOUR MARKET (E-22)

Ref.No.	Part No.	Description	Q'ty M	Remarks
1	25311-22610	CAM, gear shifting	1	
2	09201-04003	PIN, shifting cam drive No.2	1	
3	25322-02000	RETAINER, drive pin	1	
4	02122-06208	SCREW	1	
5	25211-22100	FORK, gear shifting	2	
6	09209-10002	PIN, shifting fork guide No.1	1	
7	09209-10010	PIN, shifting fork guide No.2	1	
8	25341-23000	GUIDE, shift cam	1	
9	01107-06168	BOLT	2	
10	09169-06003	WASHER, shift cam guide	1	
11	25350-23000	STOPPER, shift cam	1	
12	09111-06003	BOLT, shift cam stopper	1	
13	08322-21068	WASHER	1	
14	09443-07014	SPRING, shift cam stopper	1	
15	25510-22100	SHAFT, gear shifting	1	
16	09444-26005	SPRING, shifting shaft return	1	
17	09164-14004	WASHER	1	
18	09160-14016	THRUST WASHER	1	14x29x0.8
19	26232-06000	LIFTER, starter pawl	1	
20	26241-35000	GEAR, kick starter drive	1	

FIG.26 FOR YOUR MARKET (E-22)

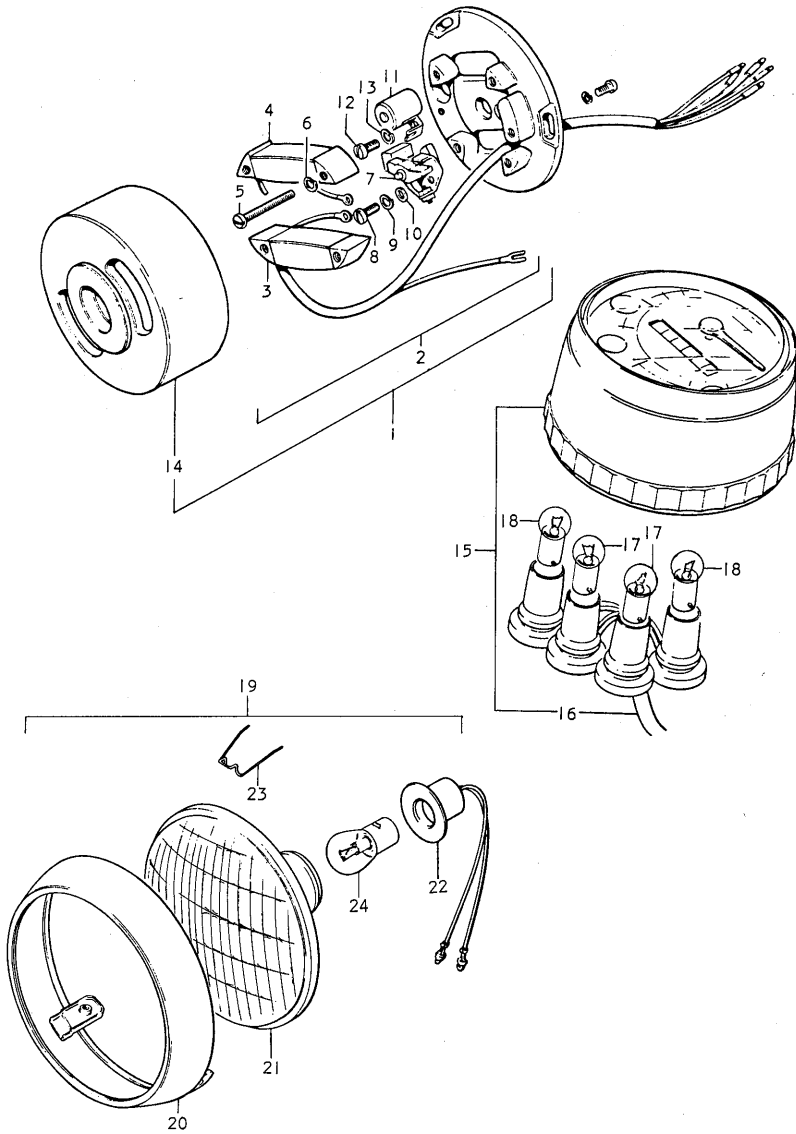


FIG.26 FOR YOUR MARKET (E-22)

Ref.No.	Part No.	Description	Q'ty M	Remarks
1	32100-22011	MAGNETO ASSY	1	
2	32101-22010	•STATOR ASSY	1	
3	32120-03110	••COIL, lighting	1	
4	32140-26111	••COIL, primary	1	
5	02112-04258	••SCREW	4	
6	08321-21048	••LOCK WASHER	4	
7	32240-28010	••POINT ASSY, contact	1	
8	02111-04107	••SCREW	1	
9	08321-21048	••LOCK WASHER	1	
10	08322-21048	••WASHER	1	
11	32341-03110	••CONDENSER	1	
12	02111-04107	••SCREW	1	
13	08321-21058	••LOCK WASHER	1	
14	32102-22011	•ROTOR, flywheel	1	
15	34100-26011	SPEEDOMETER ASSY	1	
16	34170-25011	•SOCKET	1	
17	09471-06002	•BULB	2	6V, 3W
18	09471-06001	•BULB	2	6V, 1.7W
19	35100-27660-999	HEADLAMP ASSY	1	
20	35111-27660	•RIM	1	
21	35121-27660	•UNIT	1	
22	35171-27660	•SOCKET	1	
23	35128-27660	•CLAMP	3	
24	09471-06035	BULB (Executed locally) 6V, 21/5W	1	PHILIPS No.7008

FIG.27 FOR YOUR MARKET (E-22)

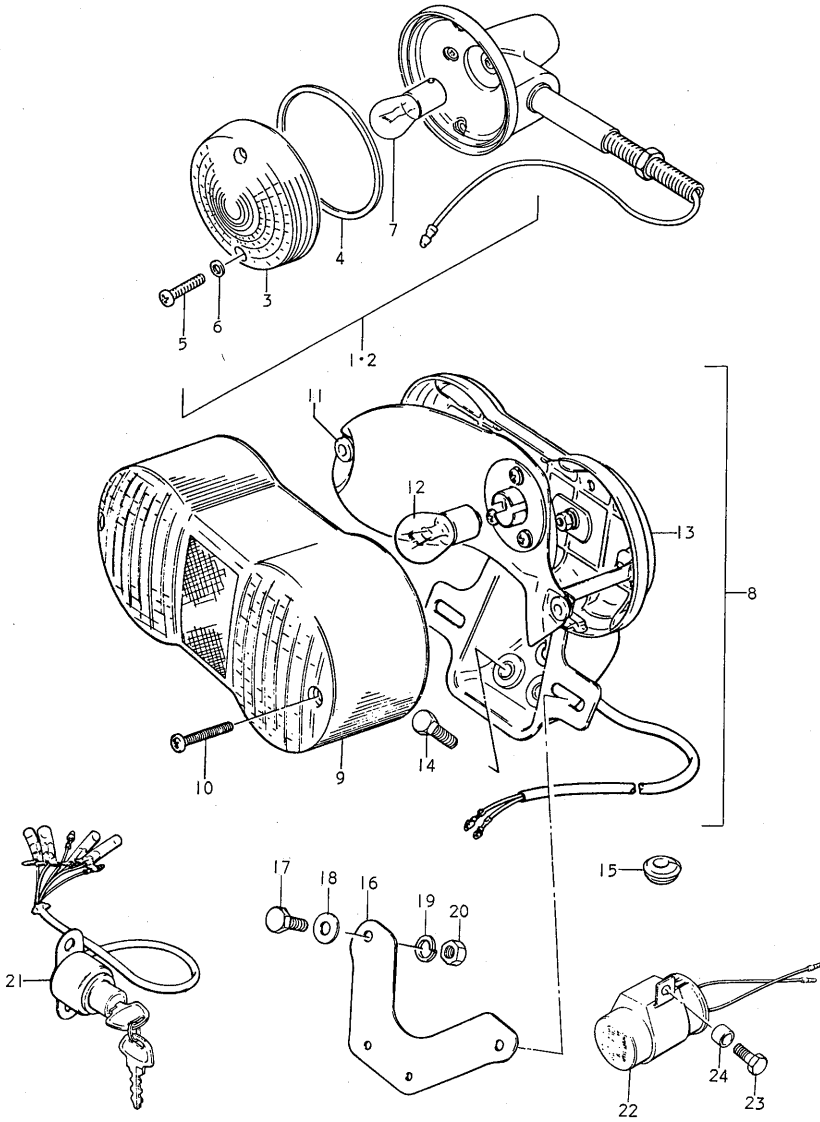


FIG. 27 FOR YOUR MARKET (E-22)

Ref.No.	Part No.	Description	Q'ty M	Remarks
1	35601-22610-999	LAMP ASSY, front turn signal	2	
2	35603-22620-999	LAMP ASSY, rear turn signal	2	
3	35612-28620	•LENS	4	
4	35613-28620	•GASKET	4	
5	02111-04258	•SCREW	8	
6	35627-43010	•GASKET	4	
7	09471-06033	BULB (Executed locally) 6V, 21W	4	PHILIPS/HELLA W15813
8	35710-22640	LAMP ASSY, rear combination	1	to 35710-22641
9	35712-27660	•LENS	1	
10	02112-04208	•SCREW	2	
11	35765-27691	•CUSHION	2	
12	09471-06037	•BULB	1	
13	35715-27691	•HOUSING	1	
14	01107-06128	BOLT	3	
15	09308-05005	GROMMET	1	
16	35927-22600	PLATE, licence	1	
17	01107-06128	BOLT	2	
18	09160-06016	WASHER	2	
19	08321-21068	LOCK WASHER	2	
20	08310-11068	NUT	2	
21	37110-21012	SWITCH ASSY, ignition	1	
22	38610-28670	RELAY ASSY, turn signal	1	
23	01107-06168	BOLT	1	
24	09180-07005	SPACER	1	

FIG.28 FOR YOUR MARKET (E-22)

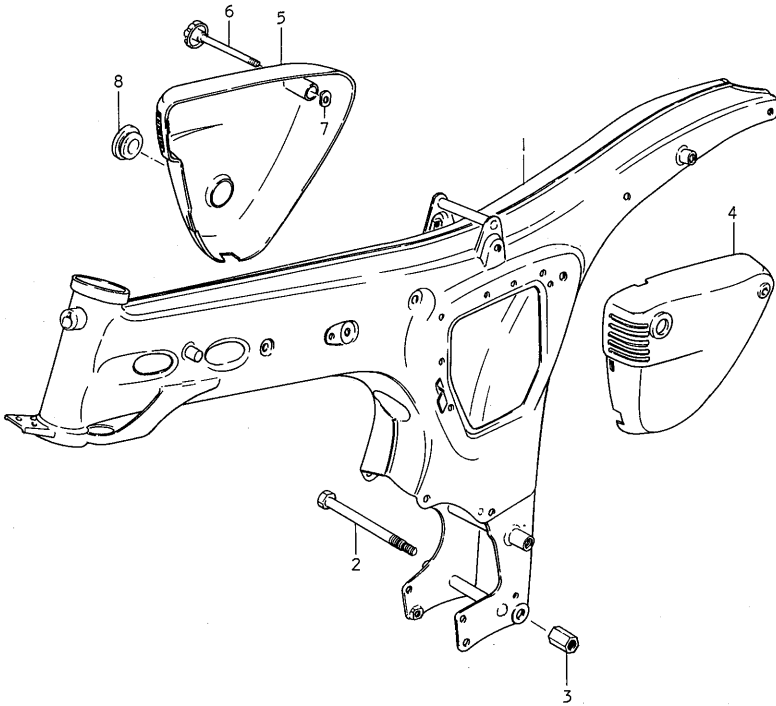




FIG.28 FOR YOUR MARKET (E-22)

Ref.No.	Part No.	Description	Q'ty M	Remarks
1	41100-21600-019	FRAME	1	
2	42221-03001	BOLT, center stand	1	
3	42231-09000	NUT	1	
4-1	47211-22501-797	COVER, frame LH	1	
4-2	47211-22501-00U	COVER, frame LH	1	
5-1	47111-22502-797	COVER, frame RH	1	
5-2	47111-22502-00U	COVER, frame RH	1	
6	47130-03001	KNOB, frame cover RH	1	
7	09152-06002	NUT	1	
8	09250-25001	CAP	1	

FIG.29 FOR YOUR MARKET (E-22)

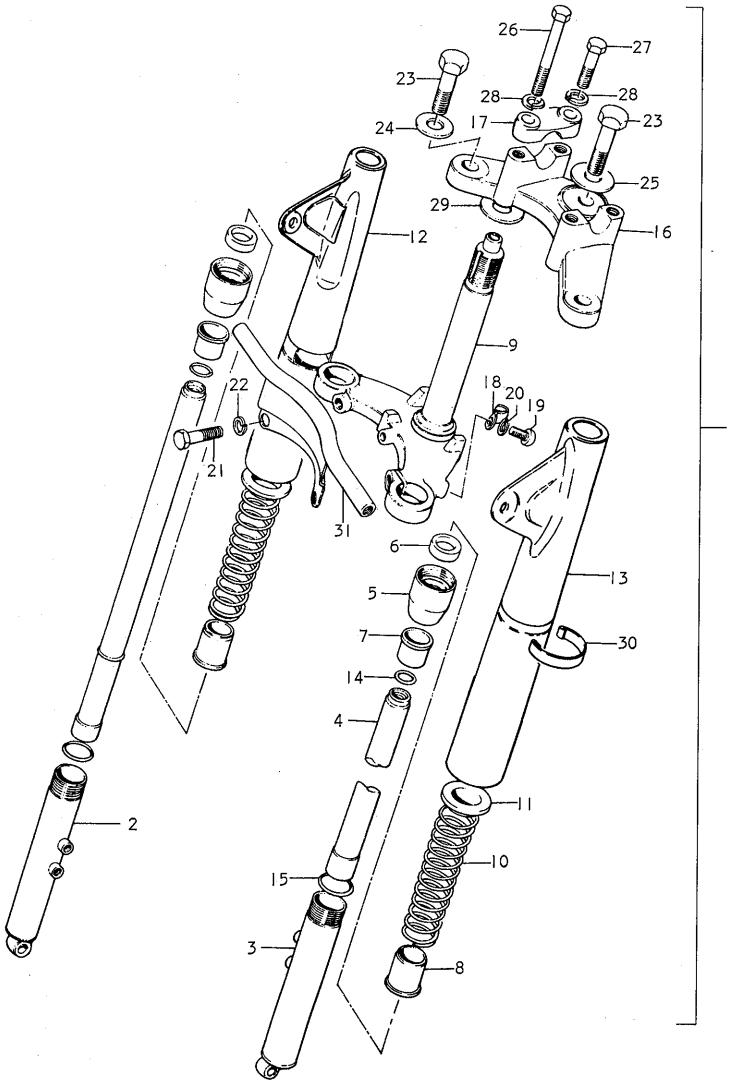


FIG.29 FOR YOUR MARKET (E-22)

Ref.No.	Part No.	Description	Q'ty M	Remarks
1-1	51100-23620-797	FORK ASSY, front	1	
1-2	51100-23620-00U	FORK ASSY, front	1	
2	51130-22210	*OUTER TUBE, RH	1	
3	51140-22210	*OUTER TUBE, LH	1	
4	51110-23010	*INNER TUBE	2	
5	51150-03011	*OUTER TUBE NUT	2	
6	51153-23010	**OIL SEAL	2	
7	51152-03011	*SLIDE METAL	2	
8	51173-01210	*SPRING GUIDE, lower	2	
9	51410-22640	*STEM, steering	1	
10	51171-24900	*SPRING	2	
11	51172-23010	*SPRING GUIDE, upper	2	
12-1	51530-23610-797	HEADLAMP BRACKET, RH	1	
12-2	51530-23610-00U	HEADLAMP BRACKET, RH	1	
13-1	51540-23610-797	HEADLAMP BRACKET, LH	1	
13-2	51540-23610-00U	HEADLAMP BRACKET, LH	1	
14	51181-22010	*O RING, inner tube upper	2	
15	51154-12011	*O RING, outer tube nut	2	
16	51311-22210	*STEM HEAD, steering	1	
17	56211-27100	*HOLDER, handle	2	
18	51453-03010	*CLIP, stem rear	1	
19	02112-06108	*SCREW	1	
20	08321-21068	*LOCK WASHER	1	

FIG.29 FOR YOUR MARKET (E-22)

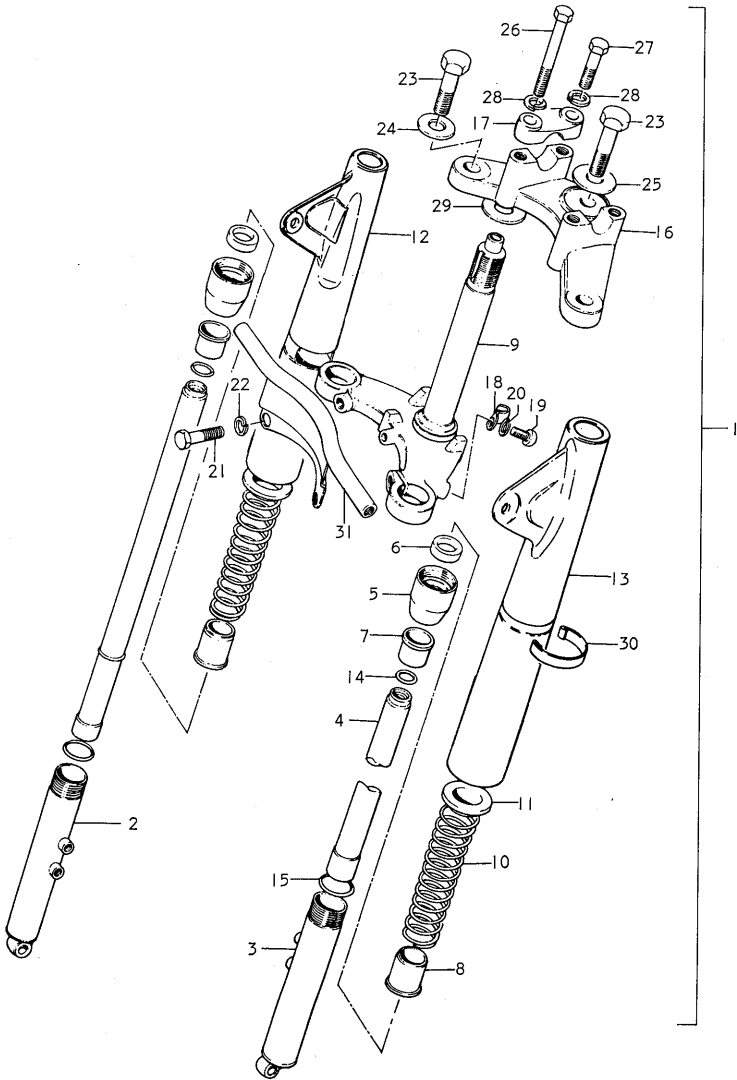


FIG.29 FOR YOUR MARKET (E-22)

Ref.No.	Part No.	Description	Q'ty M	Remarks
21	01111-10308	·BOLT	2	
22	08321-21108	·LOCK WASHER	2	
23	51351-22010	·BOLT, stem head	3	
24	51356-22011	·WASHER, inner tube stem head	2	
25	51356-22012	·WASHER, steering shaft stem head	1	
26	01221-08757	·BOLT, handle holder front	2	
27	01204-08357	·BOLT, handle holder rear	2	
28	08321-21088	·LOCK WASHER	4	
29	51357-22010	·WASHER, steering shaft upper	1	
30	51555-22010	·STEM COVER	2	
31-1	51960-23610-797	·BRACKET, turn signal	1	
31-2	51960-23610-00U	·BRACKET, turn signal	1	

FIG.30 FOR YOUR MARKET (E-22)

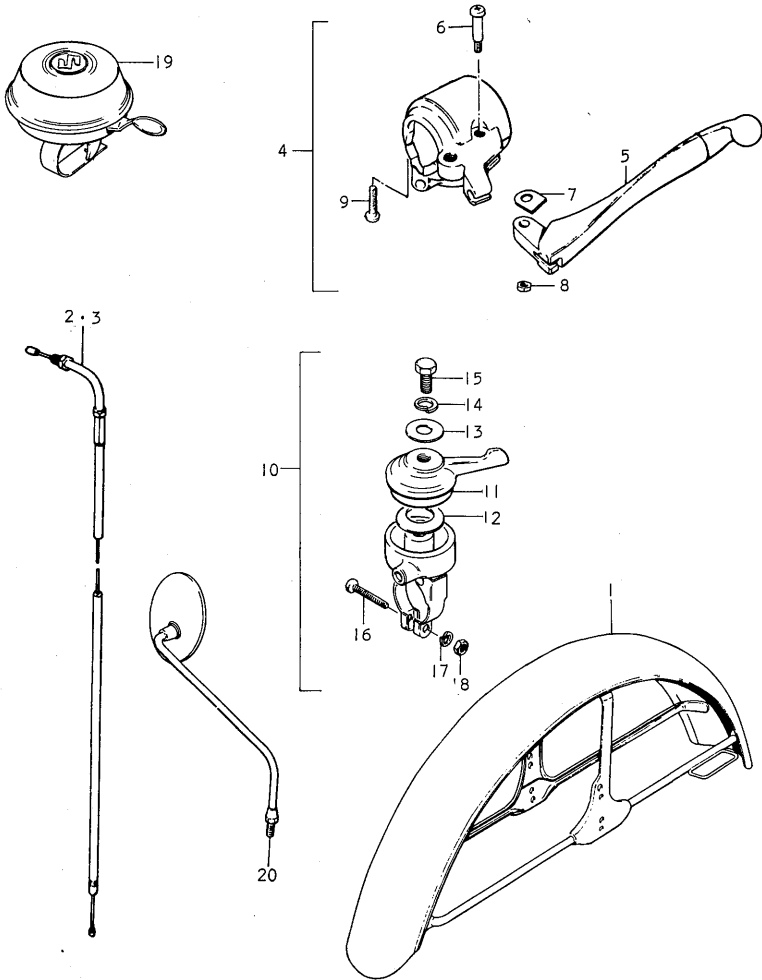


FIG.30 FOR YOUR MARKET (E-22)

Ref.No.	Part No.	Description	Q'ty M	Remarks
1	53110-05640	FENDER, front	1	
2	58300-22610	CABLE ASSY, throttle	1	For Semi Western
3	58300-22620	CABLE ASSY, throttle	1	For Flat
4	57500-22640	CLUTCH LEVER & SWITCH ASSY	1	
5	57621-27210	•CLUTCH LEVER	1	
6	57431-01011	•SCREW, pivot	1	
7	57435-20010	•SPACER, lever	1	
8	08310-11058	•NUT	1	
9	09125-05105	•SCREW	2	
10	58700-22010	LEVER ASSY, starter	1	
11	58721-22010	•LEVER, starter	1	
12	58722-03010	•WASHER, adjusting	1	
13	58723-03010	•WASHER	1	
14	08321-21068	•LOCK WASHER	1	
15	01107-06128	•BOLT	1	
16	02112-05208	•SCREW	1	
17	08321-21058	•LOCK WASHER	1	
18	08310-11058	•NUT	1	
19	99800-39301	BELL ASSY	1	
20	56600-19010	MIRROR ASSY, rear view	1	

FIG.31 FOR YOUR MARKET (E-22)

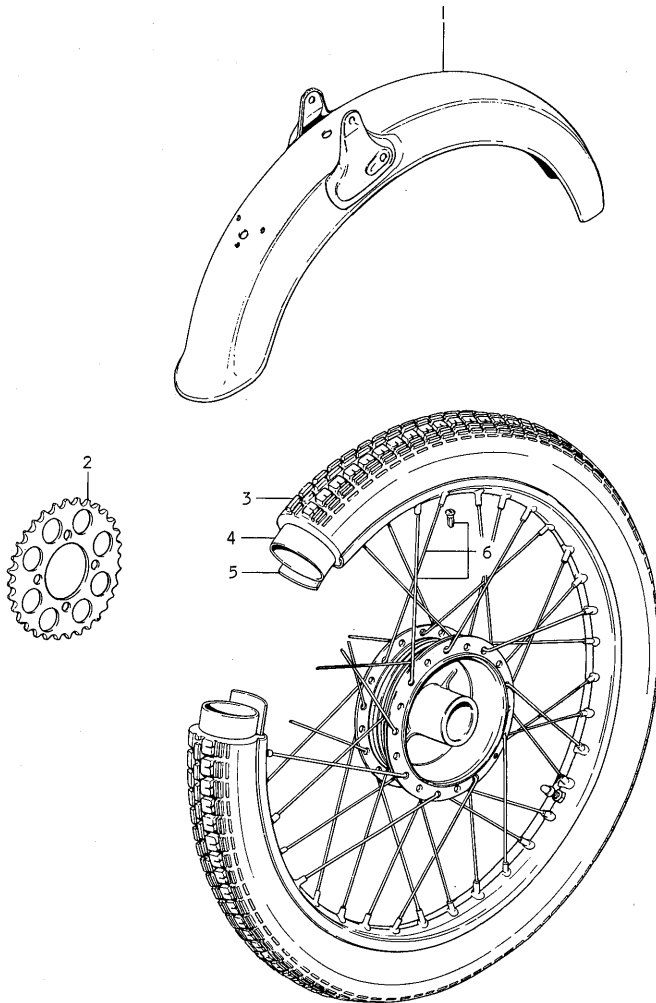




FIG.31 FOR YOUR MARKET (E-22)

Ref.No.	Part No.	Description	Q'ty M	Remarks
1	63110-05660	FENDER, rear	1	
2	64511-01799	SPROCKET, rear	1	
3	65100-35010	TIRE	1	
4	55200-03600	TUBE ASSY, wheel inner	1	
5	55311-07020	RIM, wheel	1	
6	65300-03817	SPOKE SET, rear	1	



SUZUKI A50P for E25

FOREWORD

This parts catalogue contains the parts for exclusive use of the SUZUKI A50P of E25 spec. specially designed for your market.

Concerning parts unlisted in this catalogue, refer to the standard SUZUKI A50P E2 parts catalogue.



FIG.32 FOR YOUR MARKET (E-25)

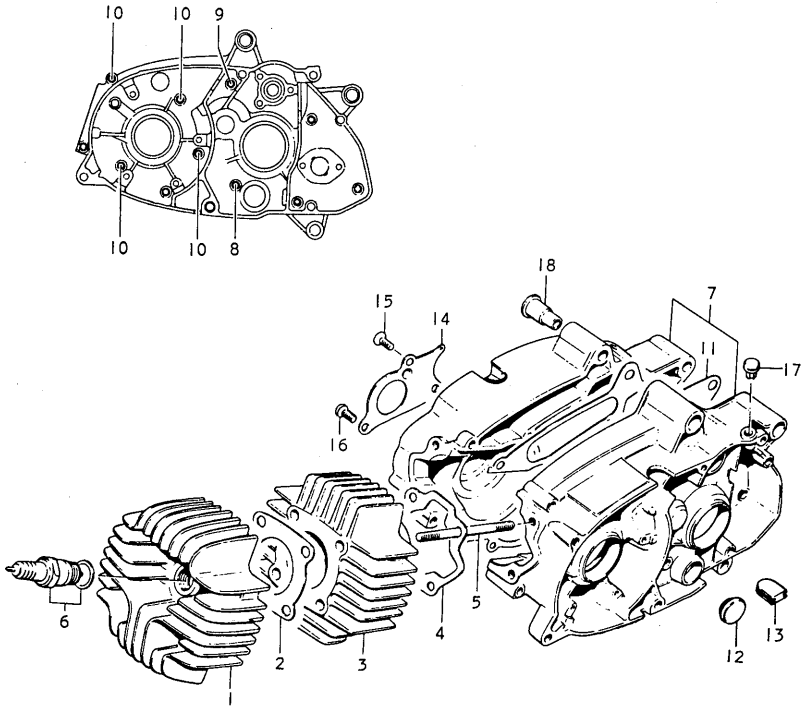


FIG.32 FOR YOUR MARKET (E-25)

Ref.No.	Part No.	Description	Qty			Remarks
			M	B	DB	
1	11111-19610	CYLINDER HEAD	1	1	1	
2	11141-14000	GASKET, cylinder	1	1	1	
3	11211-19001	CYLINDER	1	1	1	
4	11241-19000	GASKET, cylinder	1	1	1	
5	01421-06958	STUD BOLT	4	4	4	
6-1	09482-00105	SPARK PLUG	1	1	1	BP-7HS NGK
6-2	09482-00106	SPARK PLUG	1	1	1	W22FP ND
7-1	11300-22860	CRANKCASE ASSY	1	-	-	
7-2	11300-22861	CRANKCASE ASSY	-	1	1	
8	02112-06608	•SCREW	1	1	1	
9	02112-06557	•SCREW	1	1	1	
10	02112-06408	•SCREW	4	3	3	
11	11481-22001	•GASKET, crankcase	1	1	1	
12	09250-15001	CAP, oil hose	1	1	1	
13	09259-13001	PLUG	1	1	1	
14	12521-19002	PLATE, oil reservoir	1	1	1	
15	02122-06128	SCREW	2	2	2	
16	02112-06128	SCREW	1	1	1	
17	09250-10005	PLUG, breather	1	1	1	
18	09319-08008	BUSHING, engine mounting	4	4	4	
	11400-22860	GASKET SET	1	1	1	

FIG.33 FOR YOUR MARKET (E-25)

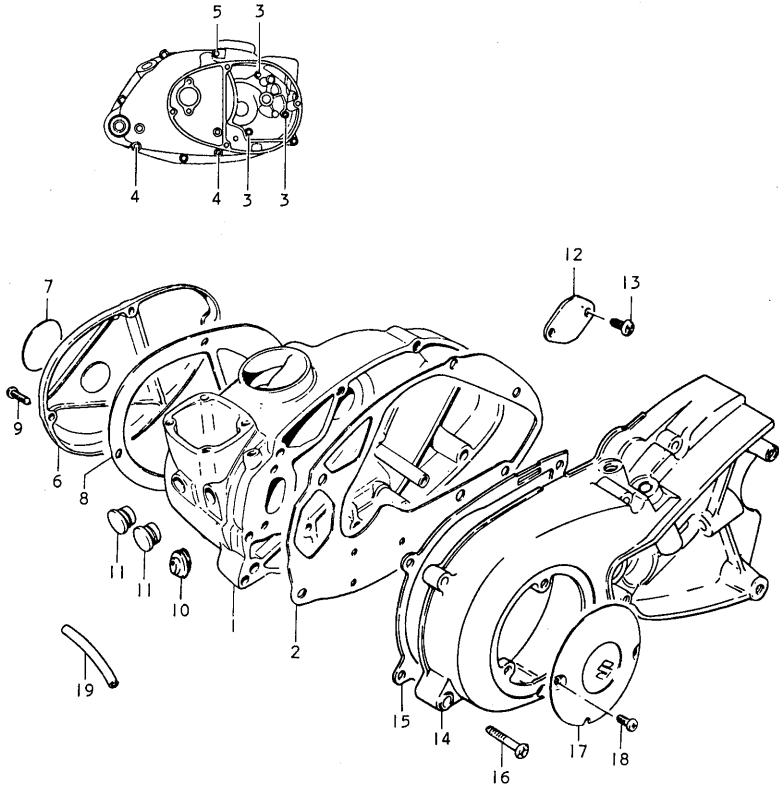


FIG.33 FOR YOUR MARKET (E-25)

Ref.No.	Part No.	Description	Q'ty			Remarks
			M	B	DB	
1	11341-22640	COVER, crankcase RH	1	1	1	
2	11482-22000	GASKET	1	1	1	
3	02112-06258	SCREW	3	3	3	
4	02112-06657	SCREW	2	2	2	
5	02112-06808	SCREW	1	1	1	
6	11383-22001	CAP, carburetor inspection	1	1	1	
7	68234-25300	EMBLEM	1	1	1	
8	11492-22000	GASKET	1	1	1	
9	02112-05208	SCREW	4	4	4	
10	09309-07005	GROMMET	1	1	1	
11	09250-14002	CAP, carburetor hole	2	1	1	
12	16745-16701	CAP, oil pump drive shaft	1	1	1	
13	02112-05128	SCREW	2	2	2	
14	11351-22620	COVER, crankcase LH	1	1	1	
15	11483-22001	GASKET	1	1	1	
16	02112-06508	SCREW	3	3	3	
17	11381-01001	CAP, generator inspection	1	1	1	
18	02112-05088	SCREW	2	2	2	
19	09344-03014	HOSE, carburetor over flow	1	1	1	

FIG. 34 FOR YOUR MARKET (E-25)

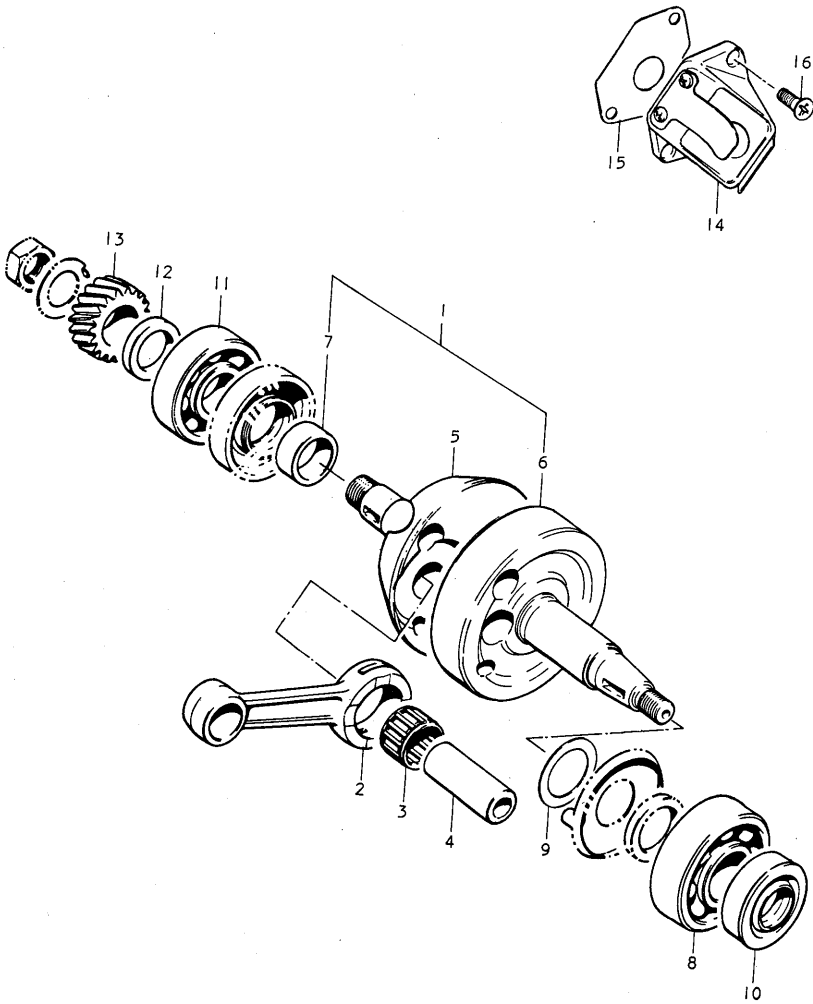




FIG.34 FOR YOUR MARKET (E-25)

Ref.No.	Part No.	Description	Q'ty			Remarks
			M	B	DB	
1	12200-35892	CRANKSHAFT ASSY	1	1	1	from 12200-35891
2	12161-35000	•ROD, connecting	1	1	1	
3	09263-16002	•BEARING, crank pin	1	1	1	
4	12211-19000	•PIN, crank	1	1	1	
5	12221-35001	•CRANKSHAFT, RH	1	1	1	from 12221-35000
6	12261-35002	•CRANKSHAFT, LH	1	1	1	from 12261-35001
7	09180-17026	•SPACER, crankshaft RH	1	1	1	
8	08113-62040	BEARING, LH crankshaft	1	1	1	
9	08221-20306	SHIM, crankshaft LH	1	1	1	
10	09283-23001	OIL SEAL, crankshaft	1	1	1	
11	08113-63030	BEARING	1	1	1	
12	09180-17027	SPACER, primary drive gear	1	1	1	
13	21111-19002	GEAR, primary drive	1	1	1	
14	13150-22600	VALVE ASSY, reed	1	1	1	
15	13156-22600	GASKET	1	1	1	
16	02122-05168	SCREW	2	2	2	

FIG. 35 FOR YOUR MARKET (E-25)

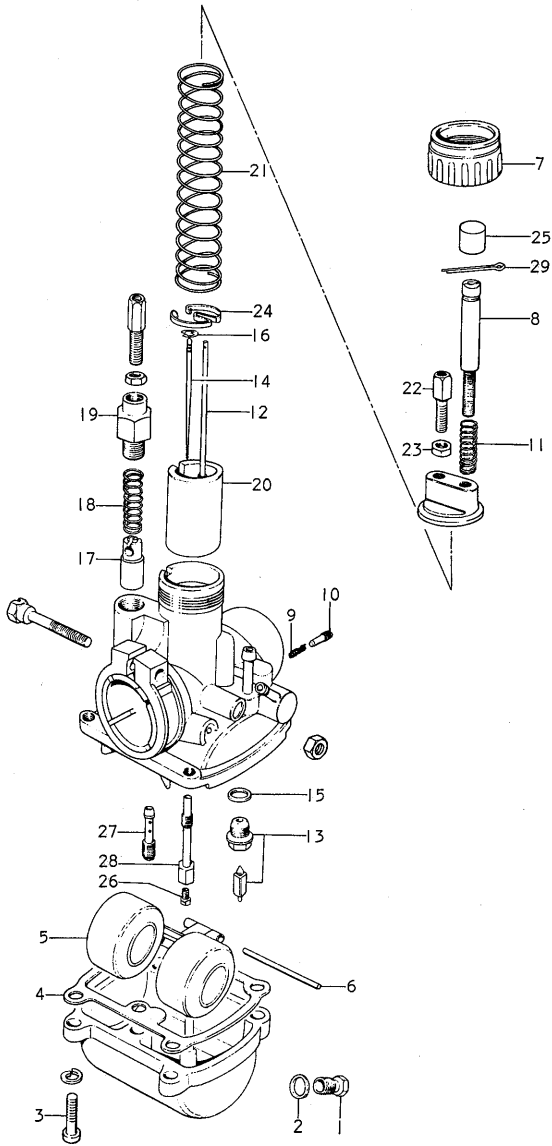


FIG.35 CARBURETOR

Ref.No.	Part No.	Description	Q'ty			Remarks
			M	B	DB	
	13200-22671	CARBURETOR ASSY	1	1	1	
1	13247-05010	•PLUG, drain	1	1	1	
2	13249-05010	•GASKET, drain plug	1	1	1	
3	13248-05110	•SCREW	4	4	4	
4	13251-01011	•GASKET, float chamber	1	1	1	
5	13252-06110	•FLOAT	1	1	1	
6	13254-01010	•PIN	1	1	1	
7	13265-05110	•CAP, mixing chamber	1	1	1	
8	13267-05010	•SCREW, throttle valve stop	1	1	1	
9	13268-05010	•SPRING, stop screw	1	1	1	
10	13269-01010	•SCREW, air	1	1	1	
11	13268-01010	•SPRING, air screw	1	1	1	
12	13296-22600	•ROD, throttle valve stop	1	1	1	
13	13370-35620	•VALVE ASSY, needle	1	1	1	
14	13383-19011	•NEEDLE, jet	1	1	1	
15	13392-01010	•GASKET, valve seat	1	1	1	
16	13394-12110	•CLIP, needle	1	1	1	
17	13411-01010	•GASKET, valve	1	1	1	
18	13417-01010	•SPRING, plunger	1	1	1	
19	13418-03110	•CAP, plunger	1	1	1	
20	13551-22670	•VALVE, throttle	1	1	1	CA:2.5
21	13573-35010	•SPRING, throttle valve	1	1	1	
22	13577-22600	•ADJUSTER, cable	2	2	2	
23	13661-03010	•NUT, cable adjuster	2	2	2	
24	13581-01010	•SEAT, spring	1	1	1	
25	13688-08010	•CAP	1	1	1	

FIG.35 FOR YOUR MARKET (E-25)

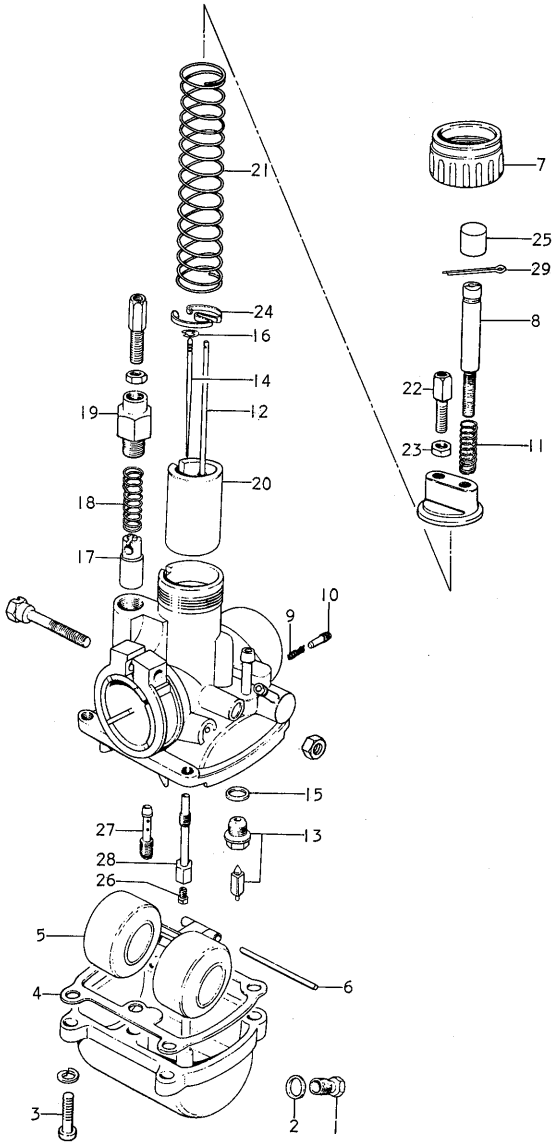


FIG.35 CARBURETOR

Ref.No.	Part No.	Description	Q'ty			Remarks
			M	B	DB	
26	09491-60004	-JET, main	1	1	1	#60
27	09492-17002	-JET, pilot	1	1	1	#20
28	09494-00171	-JET, needle	1	1	1	E-4
29	04111-12108	-COTTER PIN	1	1	1	

FIG.36 FOR YOUR MARKET (E-25)

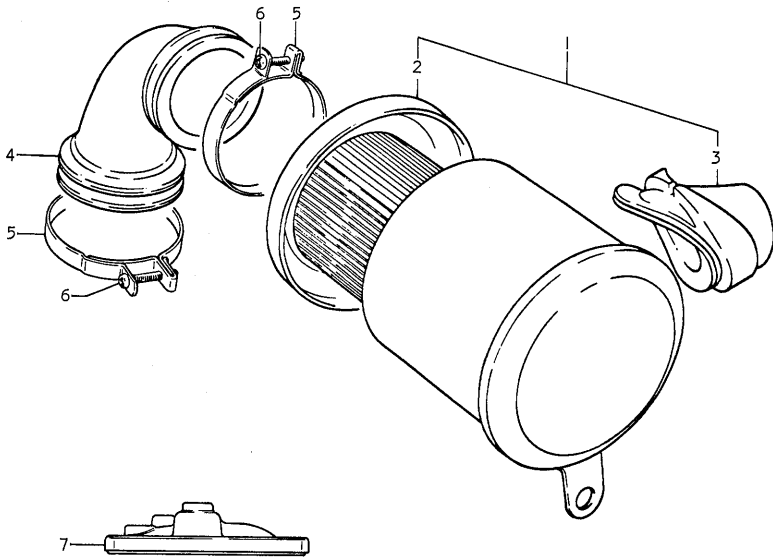


FIG.36 FOR YOUR MARKET (E-25)

Ref.No.	Part No.	Description	Q'ty			Remarks
			M	B	DB	
1	13700-22011-676	CLEANER ASSY, air	1	1	1	
2	13780-22010	FILTER	1	1	1	
3	13721-12010	HOSE, air inlet	1	1	1	
4	13881-22001	HOSE, carburetor air inlet	1	1	1	
5	09402-62306	CLAMP, air inlet hose	2	2	2	
6	03211-04258	SCREW	2	2	2	
7	11440-27200	COVER, carburetor top	1	1	1	

FIG.37 FOR YOUR MARKET (E-25)

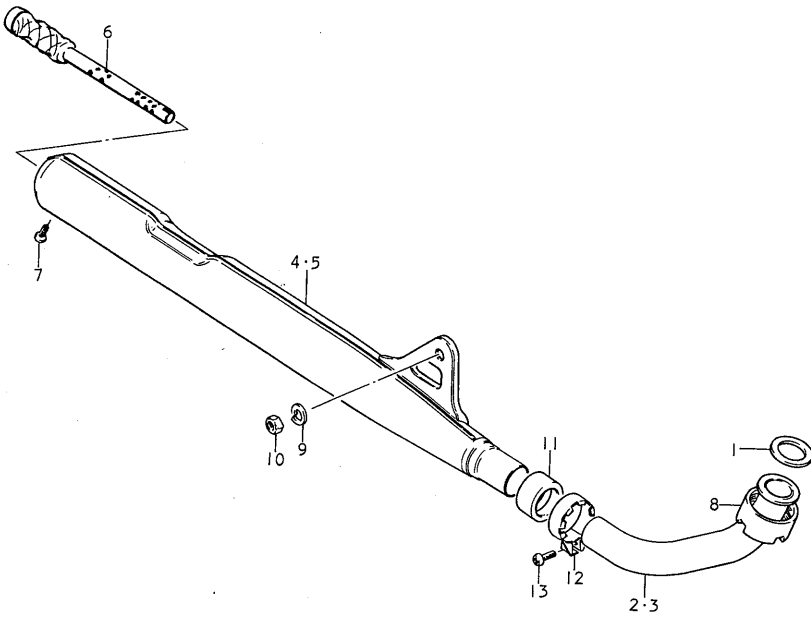




FIG.37 FOR YOUR MARKET (E-25)

Ref.No.	Part No.	Description	Q'ty			Remarks
			M	B	DB	
1	14181-19000	GASKET, exhaust pipe	1	1	1	
2	14150-22670	PIPE, exhaust	1	-	-	
3	14150-22671	PIPE, exhaust	-	1	1	
4	14301-22680	MUFFLER	1	-	-	
5	14301-22681	MUFFLER	-	1	1	
6	14510-22600	PIPE, baffle	1	1	1	
7	02112-05068	SCREW	1	1	1	
8	14182-03300	CLAMP	1	1	1	
9	08321-21088	LOCK WASHER	1	1	1	
10	08310-12088	NUT	1	1	1	
11	14771-22600	CONNECTOR, muffler	1	1	1	
12	09402-30701	CLAMP	1	1	1	
13	02112-06208	SCREW	1	1	1	

FIG.38 FOR YOUR MARKET (E-25)

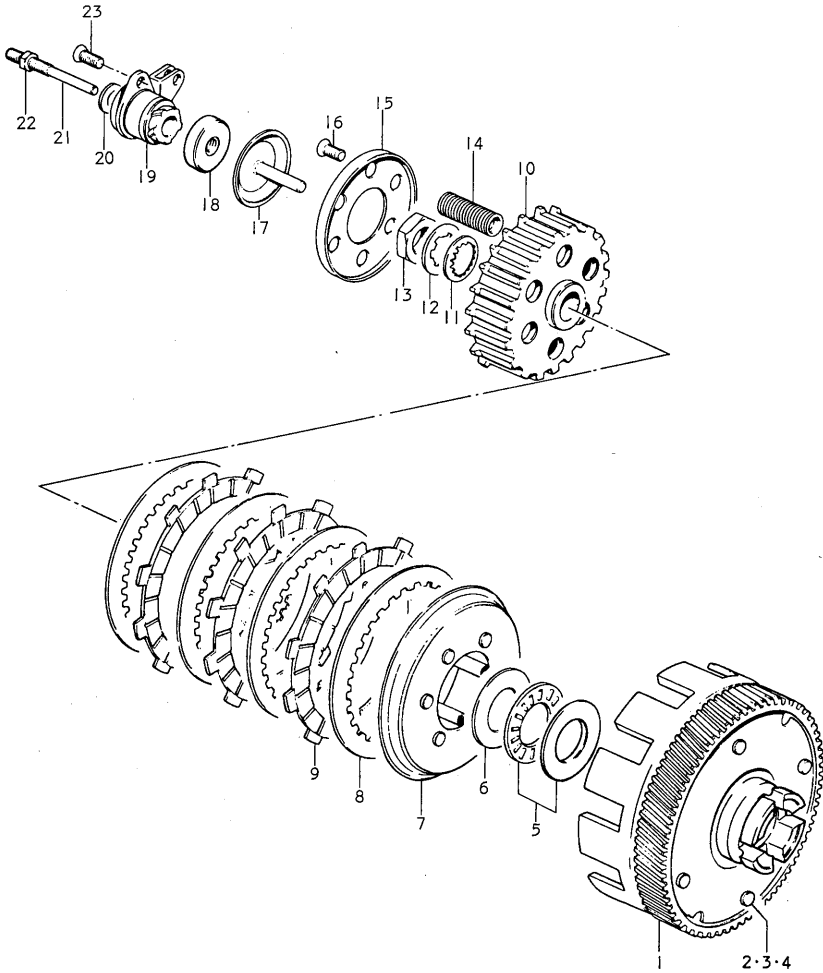


FIG.38 FOR YOUR MARKET (E-25)

Ref.No.	Part No.	Description	Q'ty			Remarks
			M	B	DB	
1	21200-22002	GEAR, primary driven	1	1	1	
2	21231-19040	·DAMPER, primary driven gear	4	4	4	
3	21241-22000	·PLATE, primary driven gear	1	1	1	
4	09221-05001	·RIVET	4	4	4	
5	09263-21006	BEARING	1	1	1	
6	08211-17322	THRUST WASHER	1	1	1	17x32x1.5
7	21462-22000	PLATE, clutch pressure	1	1	1	
8	21451-22000	PLATE, clutch driven	4	4	4	
9	21441-07200	PLATE, clutch drive	3	3	3	
10	21411-22000	HUB, clutch sleeve	1	1	1	
11-1	08323-11168	LOCK WASHER	1	-	-	
11-2	09163-16001	LOCK WASHER	-	1	1	
12	09167-17001	WASHER, clutch sleeve hub	1	1	1	
13	09140-16001	NUT, clutch sleeve hub	1	-	-	
14	09440-14007	SPRING, clutch	6	6	6	
15	21466-07000	PLATE, clutch outer	1	1	1	
16	02122-05168	SCREW	6	6	6	
17	23121-22000	PIECE, clutch push	1	1	1	
18	09285-05005	OIL SEAL, clutch push rod	1	1	1	
19	23200-22000	SCREW ASSY, clutch release	1	1	1	
20	09160-06019	·WASHER, release adjusting	1	1	1	
21	09134-06007	·SCREW, release adjusting	1	1	1	6.5x16x1.2
22	08310-22068	·NUT	1	1	1	
23	02112-05168	SCREW	2	2	2	

FIG.39 FOR YOUR MARKET (E-25)

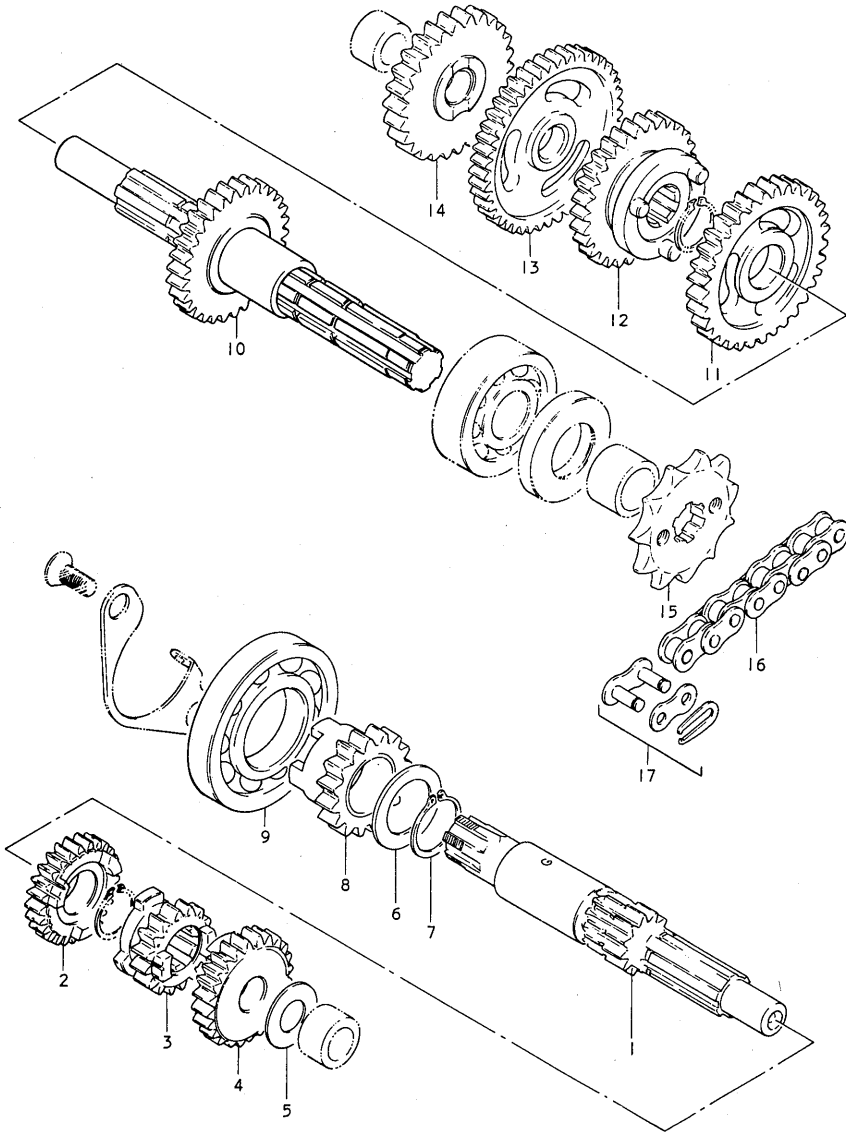


FIG.39 FOR YOUR MARKET (E-25)

Ref.No.	Part No.	Description	Q'ty			Remarks
			M	B	DB	
1	24121-22100	COUNTERSHAFT	1	1	1	
2	24231-22100	GEAR, 3rd drive	1	1	1	NT:19
3	24221-22100	GEAR, 2nd drive	1	1	1	NT:15
4	24241-22100	GEAR, 4th drive	1	1	1	NT:25
5	08211-12261	THRUST WASHER	1	1	1	12x26x1
6	09160-21005	THRUST WASHER, countershaft	1	1	1	21x30x1
7	08331-11219	CIRCLIP	1	1	1	
8	26280-19000	GEAR, kick starter drive	1	1	1	NT:16
9	09262-30003	BEARING	1	1	1	
10	24130-22610	DRIVESHAFT	1	1	1	
11	24321-22100	GEAR, 2nd drive	1	1	1	NT:33
12	24331-22100	GEAR, 3rd driven	1	1	1	NT:30
13	24310-22100	GEAR, 1st driven	1	1	1	NT:44
14	26260-19002	GEAR, 1st driven	1	1	1	NT:26
15	27511-01700	SPROCKET, engine	1	1	1	
16	27600-05011	CHAIN ASSY, drive	1	-	-	
17	27620-01011	JOINT, drive chain	1	-	-	

FIG.40 FOR YOUR MARKET (E-25)

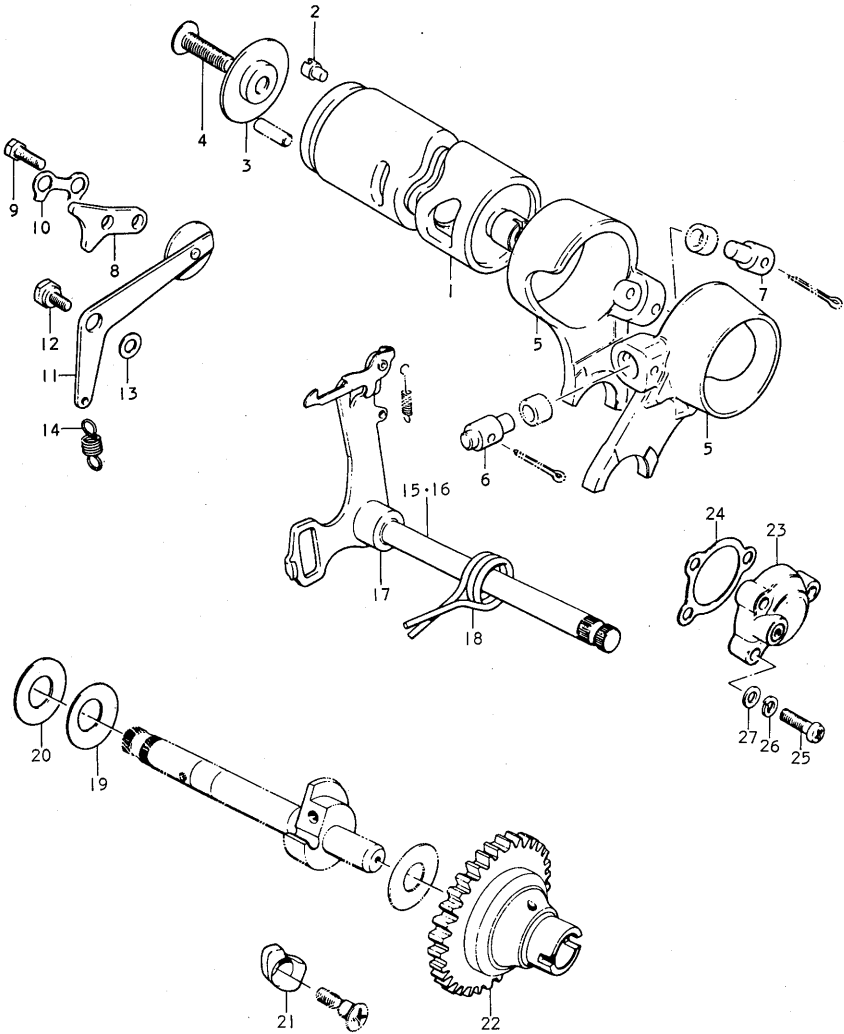


FIG.40 FOR YOUR MARKET (E-25)

Ref.No.	Part No.	Description	Q'ty			Remarks
			M	B	DB	
1	25311-22610	CAM, gear shifting	1	1	1	
2	09201-04003	PIN, shifting cam drive No.2	1	1	1	
3	25322-02000	RETAINER, drive pin	1	1	1	to 25322-35000
4	02122-06208	SCREW	1	1	1	
5	25211-22100	FORK, gear shifting	2	2	2	
6	09209-10002	PIN, shifting fork guide No.1	1	1	1	
7	09209-10010	PIN, shifting fork guide No.2	1	1	1	
8	25341-23000	GUIDE, shift cam	1	1	1	
9	01107-06168	BOLT	2	2	2	
10	09169-06003	WASHER, shift cam guide	1	-	-	
11	25350-23000	STOPPER, shift cam	1	1	1	
12	09111-06003	BOLT, shift cam stopper	1	1	1	
13	08322-21068	WASHER	1	1	1	
14	09443-07014	SPRING, shift cam stopper	1	1	1	
15	25510-22100	SHAFT, gear shifting	1	-	-	
16	25510-22102	SHAFT, gear shifting	1	1	1	
17	09180-12068	SPACER	1	1	1	
18	09444-26005	SPRING, shifting shaft return	1	1	1	
19	09164-14004	WASHER	1	1	1	
20	09160-14016	THRUST WASHER	1	1	1	14x29x0.8
21	26232-06000	LIFTER, starter pawl	1	1	1	
22	26241-35000	GEAR, kick starter drive	1	1	1	
23	37721-05100	BODY, gear shifting switch	1	1	1	
24	37712-01000	GASKET, gear shifting switch	1	1	1	
25	02112-04208	SCREW	3	3	3	
26	08321-21048	LOCK WASHER	3	3	3	
27	08322-21048	WASHER	3	3	3	

FIG.41 FOR YOUR MARKET (E-25)

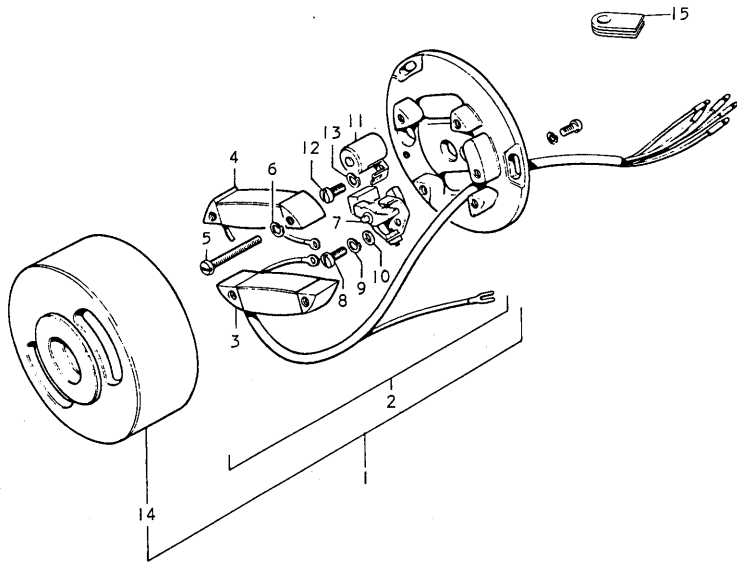




FIG.41 FOR YOUR MARKET (E-25)

Ref.No.	Part No.	Description	Q'ty			Remarks
			M	B	DB	
1	32100-22011	MAGNETO ASSY	1	-	-	
2	32101-22010	•STATOR ASSY	1	-	-	
3	32120-03110	••COIL, lighting	1	-	-	
4	32140-26111	••COIL, primary	1	-	-	
5	02112-04258	••SCREW	4	-	-	
6	08321-21048	••LOCK WASHER	4	-	-	
7	32240-28010	••POINT ASSY, contact	1	-	-	
8	02111-04107	••SCREW	1	-	-	
9	08321-21048	••LOCK WASHER	1	-	-	
10	08322-21048	••WASHER	1	-	-	
11	32341-03110	••CONDENSER	1	-	-	
12	02111-04107	••SCREW	1	-	-	
13	08321-21058	••LOCK WASHER	1	-	-	
14	32102-22011	•ROTOR, flywheel	1	-	-	
15	09309-09006	GROMMET, magneto	-	1	-	

FIG.42 FOR YOUR MARKET (E-25)

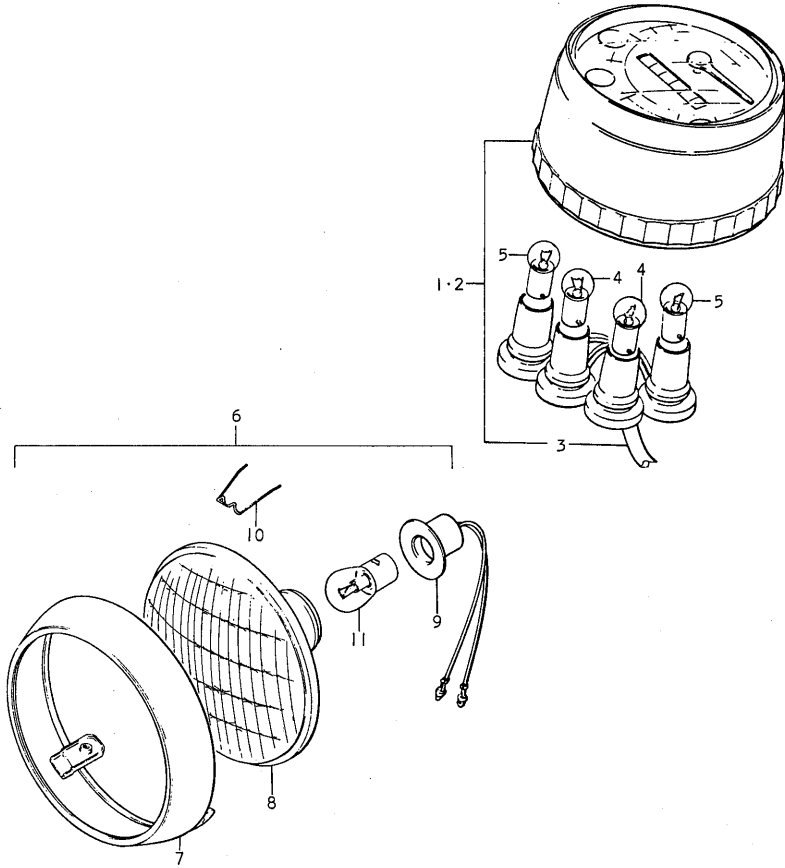


FIG.42 FOR YOUR MARKET (E-25)

Ref.No.	Part No.	Description	Q'ty			Remarks
			M	B	DB	
1	34100-26011	SPEEDOMETER ASSY	1	-	-	
2	34100-26014	SPEEDOMETER ASSY	-	1	1	
3	34170-25011	•SOCKET	1	1	1	
4	09471-06002	•BULB	2	2	2	6V, 3W
5	09471-06001	•BULB	2	2	2	6V, 1.7W
6	35100-27660-999	HEADLAMP ASSY	1	1	1	
7	35111-27660	•RIM	1	1	1	
8	35121-27660	•UNIT	1	1	1	
9	35171-27660	•SOCKET	1	1	1	
10	35128-27660	•CLAMP	3	3	3	
11	09471-06035	BULB (Executed locally) 6V, 15W	1	1	1	PHILIPS No.7008

FIG.43 FOR YOUR MARKET (E-25)

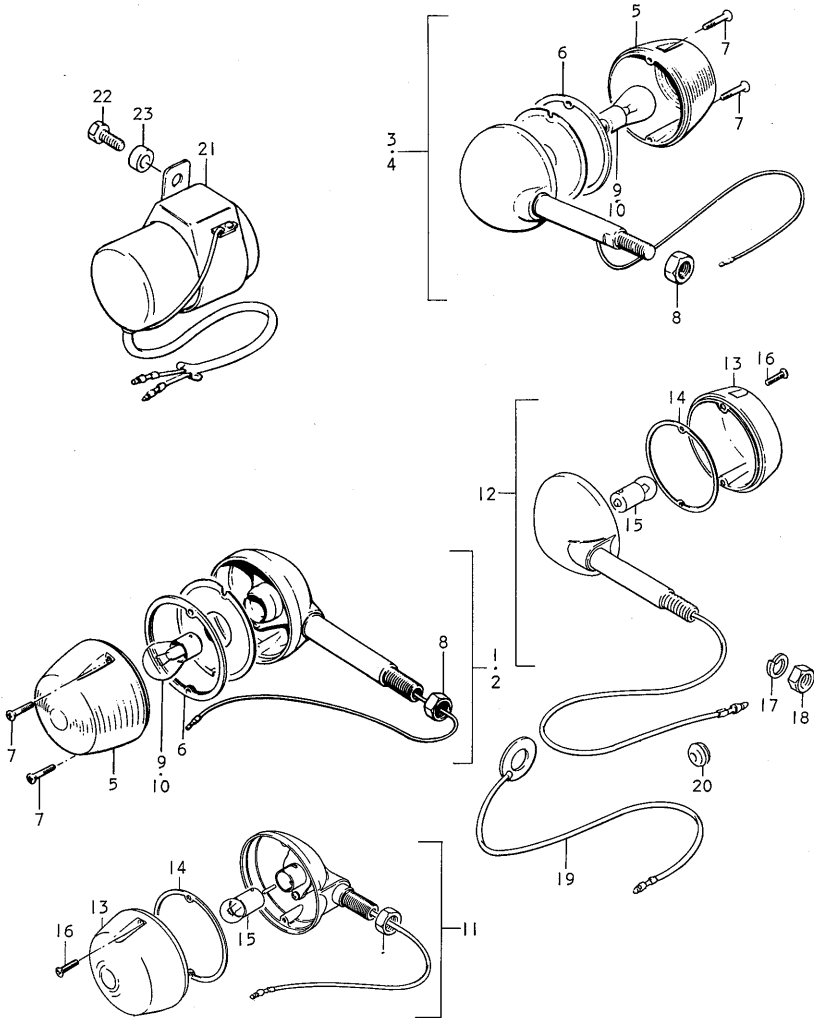


FIG.43 FOR YOUR MARKET (E-25)

Ref.No.	Part No.	Description	Q'ty			Remarks
			M	B	DB	
1	35601-27670-999	LAMP ASSY, front turn signal	2	-	-	for 6V, 21W
2	35601-22620	LAMP ASSY, front turn signal	2	-	-	for 6V, 8W
3	35603-27660-999	LAMP ASSY, rear turn signal	2	-	-	for 6V, 21W
4	35603-22630	LAMP ASSY, rear turn signal	2	-	-	for 6V, 8W
5	35612-12611	•LENS	4	4	4	
6	35613-03610	•GASKET	4	4	4	
7	02133-03167	•SCREW	8	8	8	
8	08310-22108	•NUT	4	2	2	
9	09471-06021	•BULB	4	-	-	6V, 8W
10	09471-06033	BULB (Executed locally) 6V, 21W	4	4	4	PHILIPS/HELLA W.K15813
11	35601-22320	LAMP ASSY, front turn signal	-	2	2	
12	35603-22320	LAMP ASSY, rear turn signal	-	2	2	
13	35612-46210	•LENS	-	4	4	
14	35613-06111	•GASKET	-	4	4	
15	09471-06021	•BULB	-	4	4	
16	02112-03128	•SCREW	-	8	8	
17	08321-21108	LOCK WASHER	-	2	2	
18	08310-12108	NUT	-	2	2	
19	36660-33000	LEAD WIRE, front turn signal	-	2	2	
20	35661-22610	earth GROMMET, rear turn signal	-	2	2	
21	38610-27650	RELAY ASSY, turn signal	1	-	-	
22	01107-06168	BOLT	1	-	-	
23	09180-07005	SPACER	1	-	-	

FIG.44 FOR YOUR MARKET (E-25)

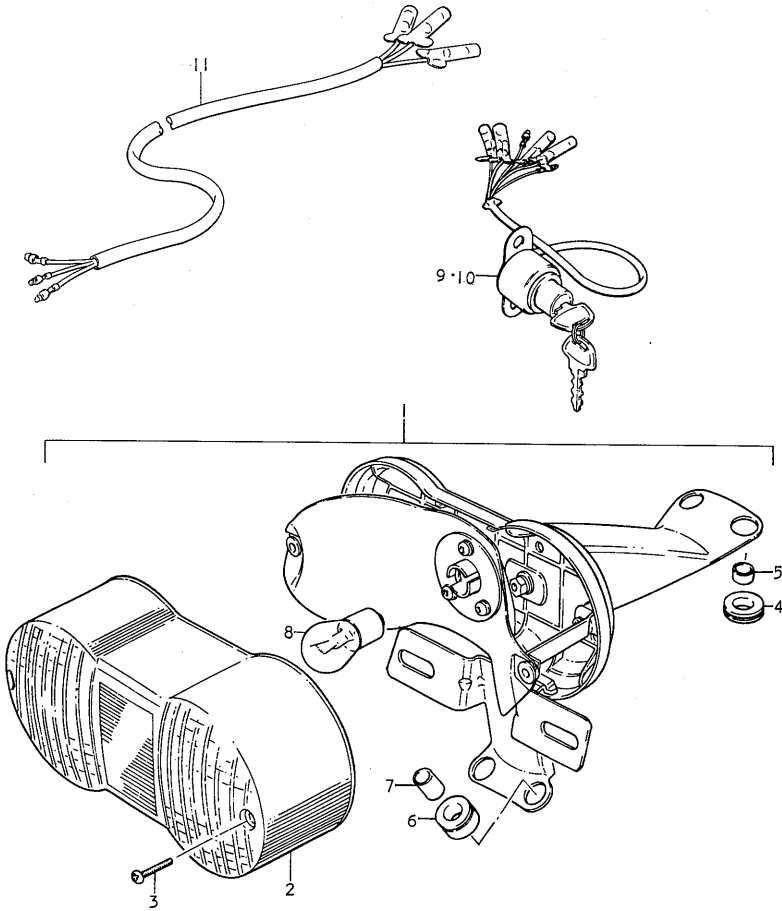


FIG.44 FOR YOUR MARKET (E-25)

Ref.No.	Part No.	Description	Q'ty			Remarks
			M	B	DB	
1	35710-22621	LAMP ASSY, rear combination	1	-	-	
2	35712-27660	•LENS	1	-	-	
3	02112-04208	•SCREW	2	-	-	
4	35765-15010	•CUSHION	2	-	-	
5	35766-15010	•SPACER	2	-	-	
6	35765-22210	•CUSHION	2	-	-	
7	35766-22210	•SPACER	2	-	-	
8	09471-06034	BULB (Executed locally) 6V, 21/5W	1	-	-	PHILIPS/HELLA VV K15826
9	37110-21012	SWITCH ASSY, ignition	1	-	-	
10	37110-22600	SWITCH ASSY, ignition	-	1	1	
11	36852-22600	LEAD WIRE, rear combination lamp	1	1	1	

FIG.45 FOR YOUR MARKET (E-25)

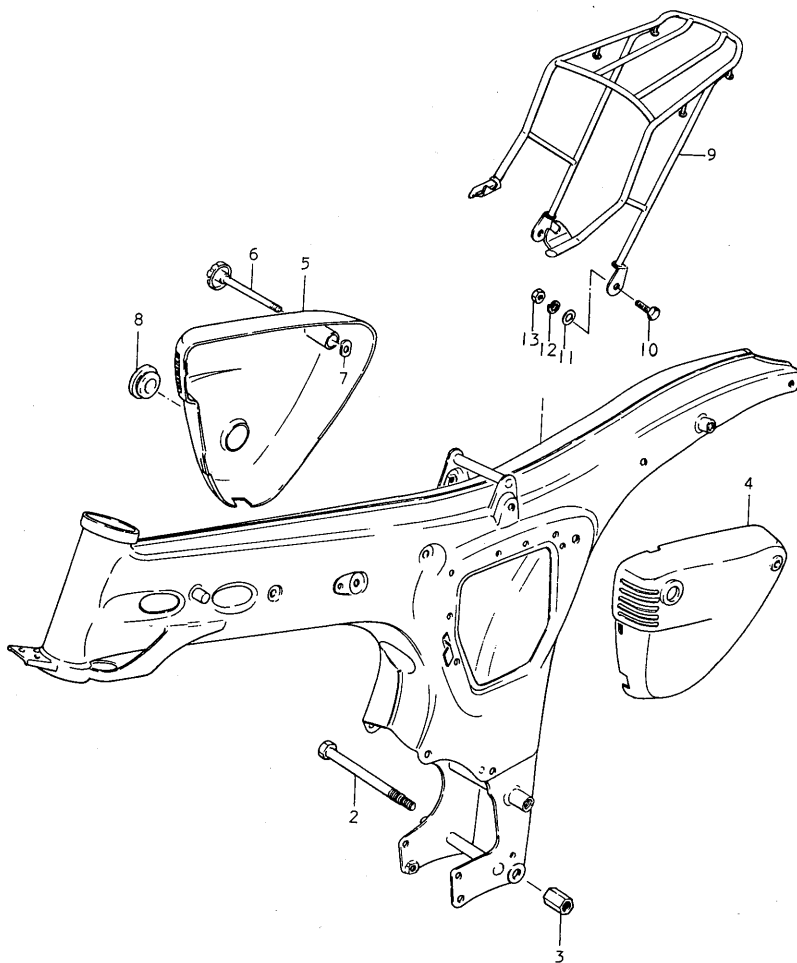




FIG.45 FOR YOUR MARKET (E-25)

Ref.No.	Part No.	Description	Q'ty			Remarks
			M	B	DB	
1	41100-22500-019	FRAME	1	1	1	
2	42221-03001	BOLT, center stand	1	1	1	from 42221-03000
3	42231-09000	NUT	1	1	1	
4-1	47211-22501-797	COVER, frame LH	1	-	-	
4-2	47211-22501-00U	COVER, frame LH	1	1	1	
4-3	47211-22501-05H	COVER, frame LH	-	1	1	
5-1	47111-22502-797	COVER, frame RH	1	-	-	
5-2	47111-22502-00U	COVER, frame RH	-	1	1	
5-3	47111-22502-05H	COVER, frame RH	-	1	1	
6-1	47130-03001	KNOB, frame cover RH	1	-	-	
6-2	47130-03002	KNOB, frame cover RH	-	1	1	
7-1	09152-06002	NUT	1	-	-	
7-2	08310-22068	NUT	-	1	1	
8	09250-25001	CAP	1	1	1	
9	46310-22602	CARRIER, sport	1	1	1	
10	01107-06128	BOLT	2	2	2	
11	08322-21068	WASHER	2	2	2	
12	08321-21068	LOCK WASHER	2	2	2	
13	08310-11068	NUT	2	2	2	

FIG.46 FOR YOUR MARKET (E-25)

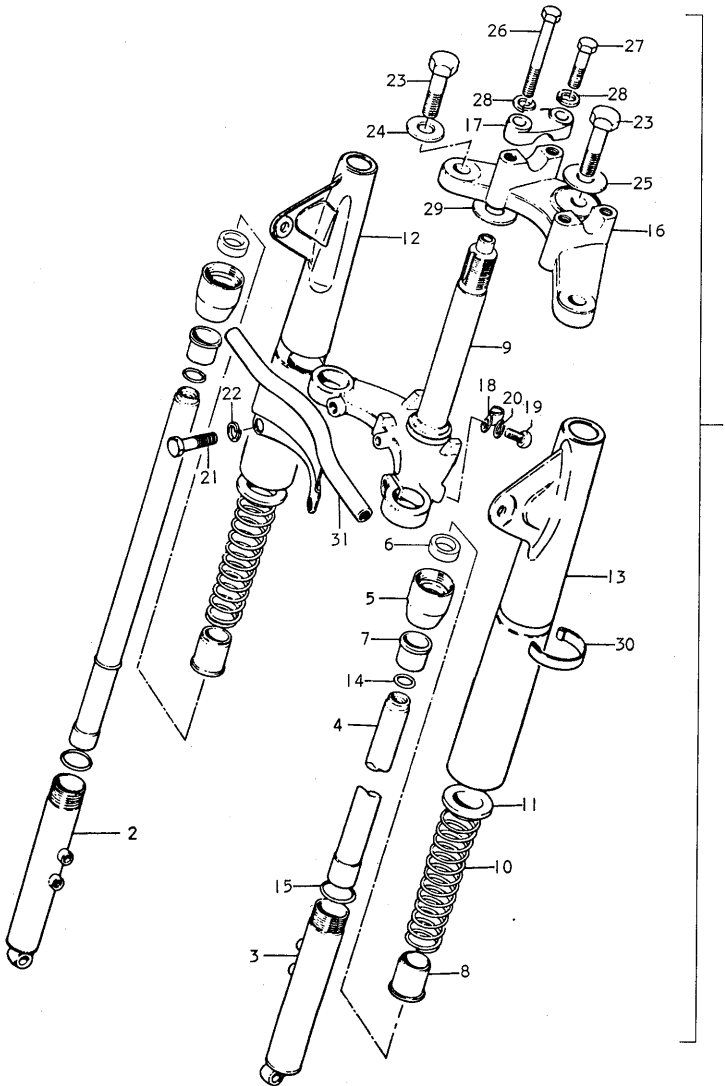


FIG.46 FOR YOUR MARKET (E-25)

Ref.No.	Part No.	Description	Q'ty M	Remarks
1-1	51100-23610-797	FORK ASSY, front	1	
1-2	51100-23610-00U	FORK ASSY, front	1	
2	51130-22210	•OUTER TUBE, RH	1	
3	51140-22210	•OUTER TUBE, LH	1	
4	51110-23010	•INNER TUBE	2	
5	51150-03011	•OUTER TUBE NUT	2	
6	51153-23010	•OIL SEAL	2	
7	51152-03011	•SLIDE METAL	2	
8	51173-01211	•SPRING GUIDE, lower	2	
9	51410-22010	•STEM, steering	1	
10	51171-24900	•SPRING	2	
11	51172-23010	•SPRING GUIDE, upper	2	
12-1	51530-23610-797	HEADLAMP BRACKET, RH	1	
12-2	51530-23610-00U	HEADLAMP BRACKET, RH	1	
13-1	51540-23610-797	HEADLAMP BRACKET, LH	1	
13-2	51540-23610-00U	HEADLAMP BRACKET, LH	1	
14	51181-22010	•O RING, inner tube upper	2	
15	51154-12011	•O RING, outer tube nut	2	
16	51311-22210	•STEM HEAD, steering	1	
17	56211-27100	•HOLDER, handle	2	
18	51453-03010	•CLIP, stem rear	1	
19	02112-06108	•SCREW	1	
20	08321-21068	•LOCK WASHER	1	

FIG.46 FOR YOUR MARKET (E-25)

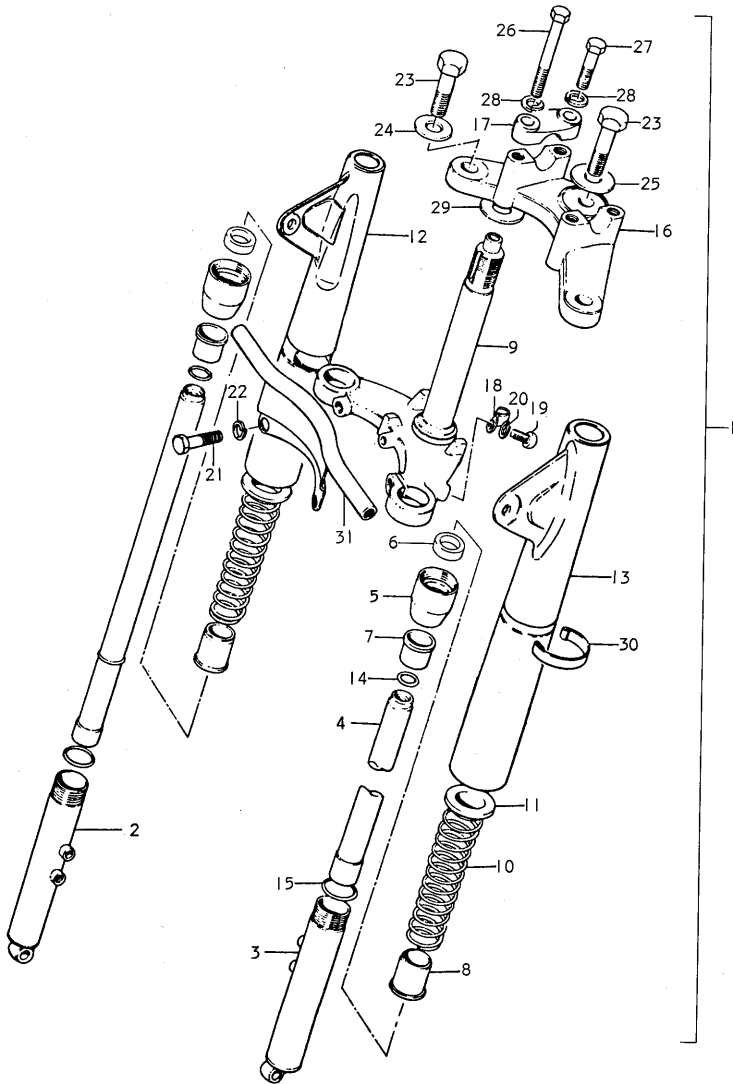


FIG.46 FOR YOUR MARKET (E-25)

Ref.No.	Part No.	Description	Q'ty M	Remarks
21	01111-10308	•BOLT	2	
22	08321-21108	•LOCK WASHER	2	
23	51351-20010	•BOLT, stem head	3	
24	51356-22011	•WASHER, inner tube stem head	2	
25	51356-22012	•WASHER, steering shaft stem head	1	
26	01221-08757	•BOLT, handle holder front	2	
27	01204-08357	•BOLT, handle holder rear	2	
28	08321-21088	•LOCK WASHER	4	
29	51357-22010	•WASHER, steering shaft upper	1	
30	51555-22010	•STEM COVER	2	
31-1	51960-23610-797	•BRACKET, turn signal	1	
31-2	51960-23610-00U	•BRACKET, turn signal	1	

FIG.47 FOR YOUR MARKET (E-25)

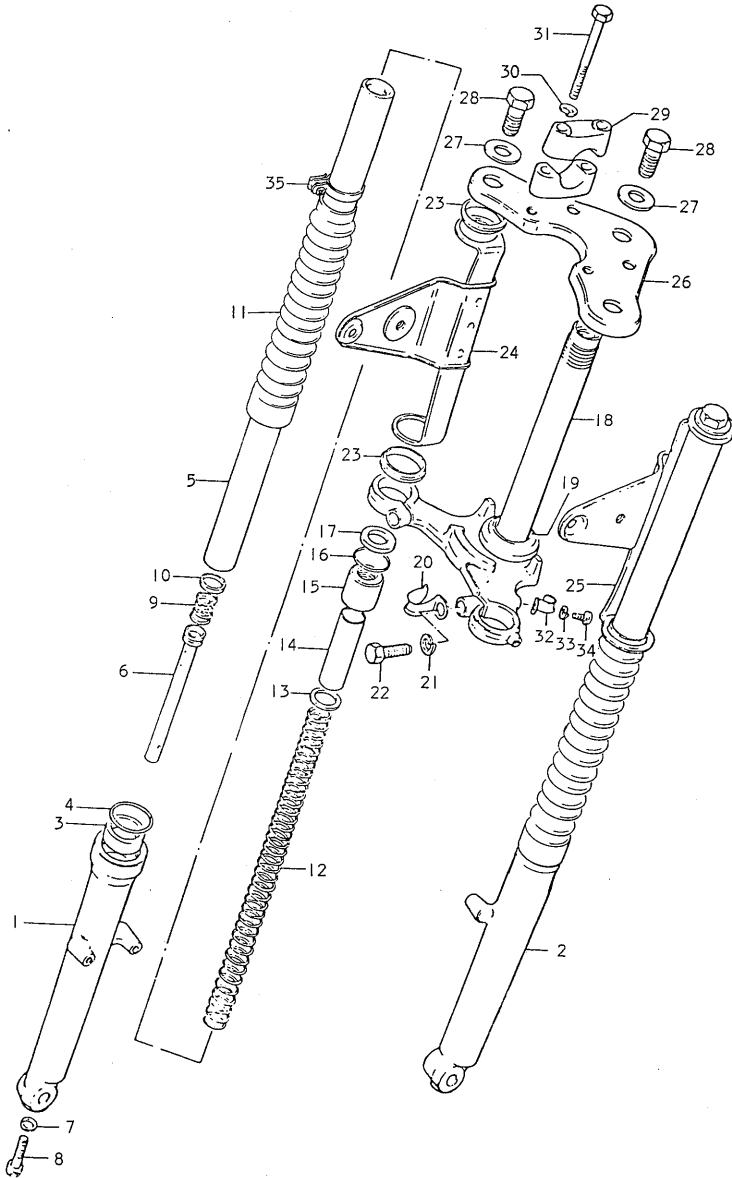


FIG.47 FOR YOUR MARKET (E-25)

Ref.No.	Part No.	Description	Q'ty B	Remarks
	51100-23690-291	FORK ASSY, front	1	
1	51131-23680	·OUTER TUBE, RH	1	
2	51141-23680	·OUTER TUBE, LH	1	
3	51153-46100	·OIL SEAL	2	
4	51156-46100	·STOPPER RING, oil seal	2	
5	51110-23640	·FORK PIPE	2	
6	51146-23640	·SEAT PIPE	2	
7	51148-31030	·GASKET	2	
8	51147-31030	·BOLT	2	
9	51177-46100	·REBOUND SPRING	2	
10	51196-46100	·PISTON RING	2	
11	51571-23660	·BOOT	2	
12	51171-23640	·SPRING	2	
13	51192-46100	·SEAT, spring	2	
14	51176-46100	·COLLOR, spring	2	
15	51172-46100	·SEAT, spring	2	
16	51169-46100	·STOPPER RING	2	
17	51181-22011	·GASKET	2	
18	51410-23640	·STEERING STEM	1	
19	51622-20001	··OUTER RACE	1	
20	51452-08030	·CLIP	1	
21	08321-21108	·LOCK WASHER	2	
22	01107-10308	·BOLT	2	
23	51553-46100	·CUSHION	4	

FIG.47 FOR YOUR MARKET (E-25)

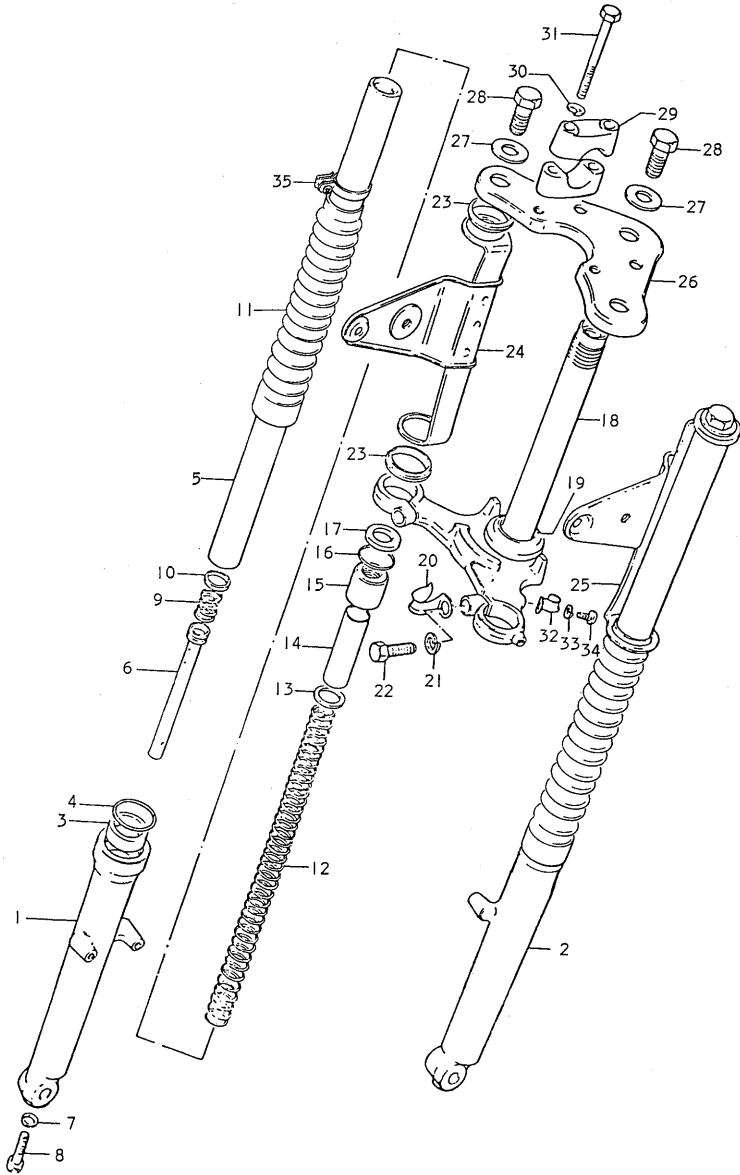




FIG.47 FOR YOUR MARKET (E-25)

Ref.No.	Part No.	Description	Qty B	Remarks
24	51530-23640-291	•BRACKET, headlamp RH	1	
25	51540-23640-291	•BRACKET, headlamp LH	1	
26	51310-23640-291	•STEERING STEM HEAD	1	
27	51357-22030	•WASHER	3	
28	51352-46100	•BOLT	3	
29	56211-27130-291	•HOLDER, handle	4	
30	08321-21088	•LOCK WASHER	4	
31	01107-08558	•BOLT	4	
32	51542-05130	•CLIP	1	
33	08321-21068	•LOCK WASHER	1	
34	02112-06128	•SCREW	1	
35	09402-30302	•BAND	2	

FIG.48 FOR YOUR MARKET (E-25)

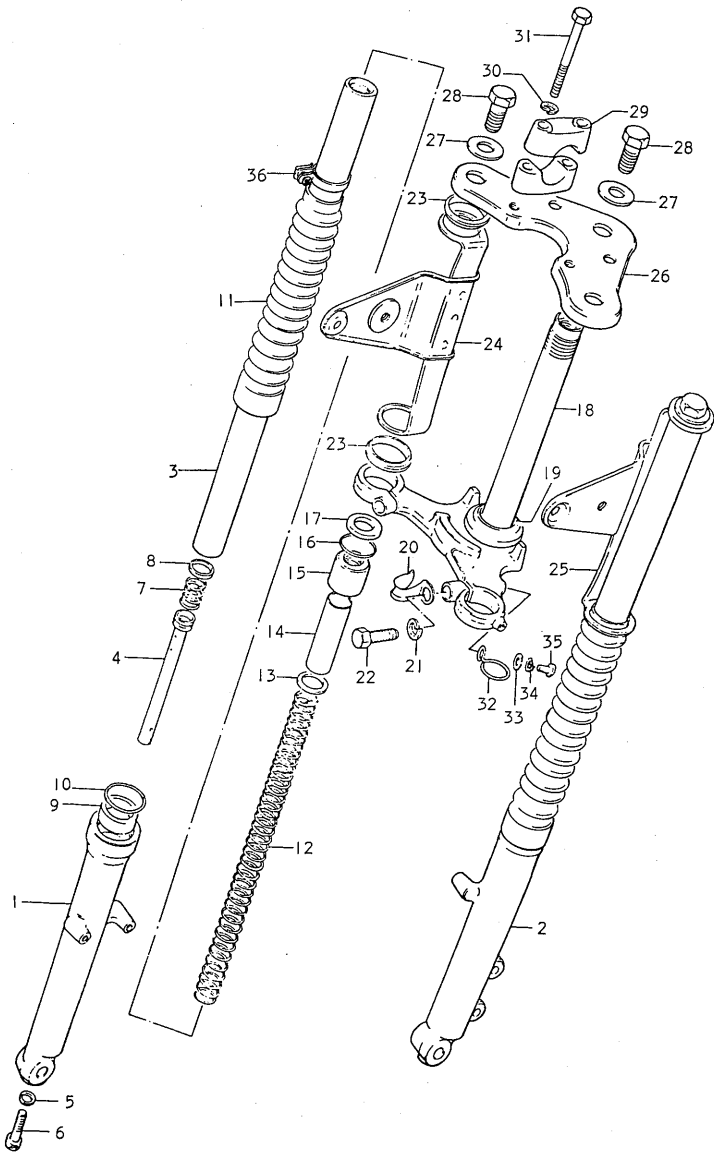


FIG.48 FOR YOUR MARKET (E-25)

Ref.No.	Part No.	Description	Qty DB	Remarks
	51100-23660-291	FORK ASSY, front	1	
1	51131-23640	• OUTER TUBE, RH	1	
2	51141-23640	• OUTER TUBE, LH	1	
3	51110-23640	• FORK PIPE	2	
4	51146-23640	• SEAT PIPE	2	
5	51148-31030	• GASKET	2	
6	51147-31030	• BOLT	2	
7	51177-46100	• REBOUND SPRING	2	
8	51196-46100	• PISTON RING	2	
9	51153-46100	• OIL SEAL	2	
10	51156-46100	• STOPPER RING, oil seal	2	
11	51571-23660	• BOOT	2	
12	51171-23640	• SPRING	2	
13	51192-46100	• SEAT, spring	2	
14	51176-46100	• COLLOR, spring	2	
15	51172-46100	• SEAT, spring	2	
16	51169-46100	• STOPPER RING	2	
17	51181-22011	• GASKET	2	
18	51410-23640	• STEERING STEM	1	
19	51622-20001	• • OUTER RACE	1	
20	51452-08030	• CLIP	2	
21	08321-21108	• LOCK WASHER	2	
22	01107-10308	• BOLT	2	
23	51553-46100	• CUSHION	4	

FIG.48 FOR YOUR MARKET (E-25)

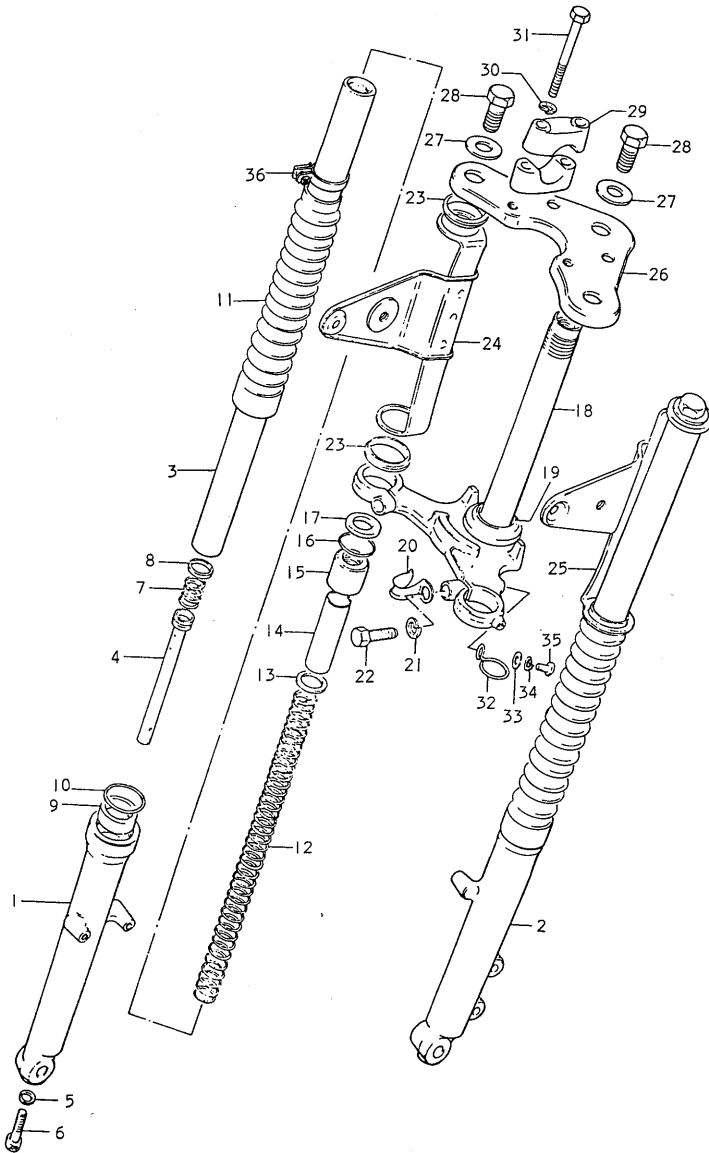


FIG.48 FOR YOUR MARKET (E-25)

Ref.No.	Part No.	Description	Q'ty DB	Remarks
24	51530-23640-291	•BRACKET, headlamp RH	1	
25	51540-23640-291	•BRACKET, headlamp LH	1	
26	51310-23640-291	•STEERING STEM HEAD	1	
27	51357-22030	•WASHER	3	
28	51352-46100	•BOLT	3	
29	56211-27130-291	•HOLDER, handle	4	
30	08321-21088	•LOCK WASHER	4	
31	01107-08558	•BOLT	4	
32	51452-46100	•CLIP	1	
33	08322-21068	•WASHER	1	
34	08321-21068	•LOCK WASHER	1	
35	02112-06128	•SCREW	1	
36	09402-30302	•BAND	2	

FIG.49 FOR YOUR MARKET (E-25)

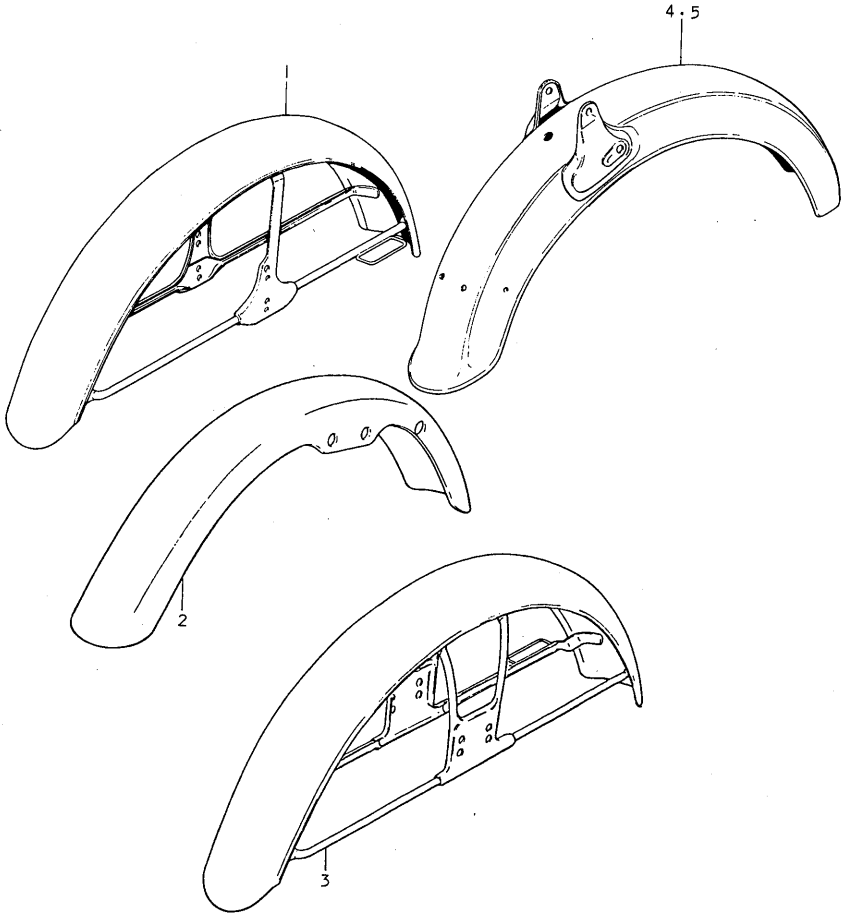


FIG.49 FOR YOUR MARKET (E-25)

Ref.No.	Part No.	Description	Q'ty			Remarks
			M	B	DB	
1	53110-05650	FENDER, front	1	-	-	
2	53111-46640-126	FENDER, front	-	1	-	
3	53110-22620	FENDER, front	-	-	1	
4	63110-22670-189	FENDER, rear	1	-	1	
5	63110-22689-974	FENDER, rear	-	1	-	

FIG. 50 FOR YOUR MARKET (E-25)

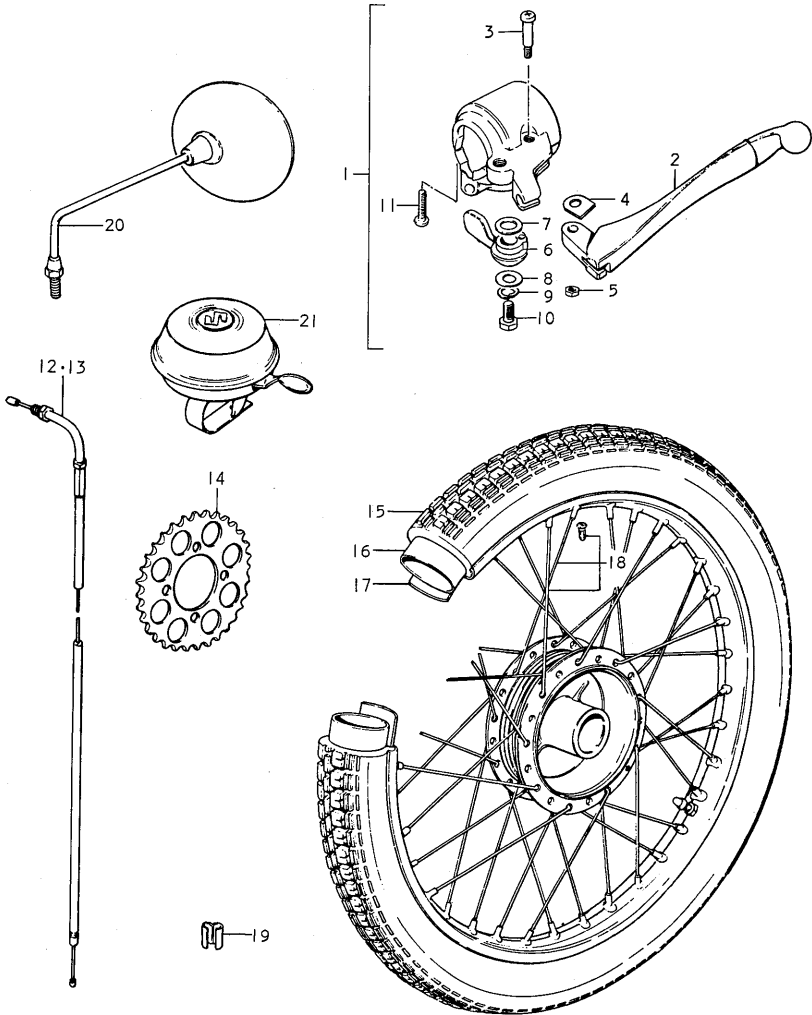




FIG.50 FOR YOUR MARKET (E-25)

Ref.No.	Part No.	Description	Q'ty			Remarks
			M	B	DB	
1	57500-22630	CLUTCH LEVER & SWITCH ASSY	1	1	1	
2	57621-27210	•LEVER, clutch	1	1	1	
3	57431-01011	•SCREW, pivot	1	1	1	
4	57435-20010	•SPACER	1	1	1	
5	08310-11058	•NUT	1	1	1	
6	58721-25611	•LEVER, starter	1	1	1	
7	58722-03010	•WASHER, adjusting	1	1	1	
8	58723-03010	•WASHER	1	1	1	
9	08321-21068	•LOCK WASHER	1	1	1	
10	01107-06128	•BOLT	1	1	1	
11	09125-05105	•SCREW	2	2	2	
12-1	58200-05700	CABLE ASSY, clutch	-	1	1	For Flat
12-2	58200-07711	CABLE ASSY, clutch	-	1	1	For Semi Western
13-1	58300-22610	CABLE ASSY, throttle	1	-	-	For Semi Western
13-2	58300-22640	CABLE ASSY, throttle	-	1	1	
13-3	58300-22620	CABLE ASSY, throttle	1	1	1	For Flat
14	64511-01799	SPROCKET, rear	1	1	1	
15	65100-35010	TIRE	1	1	1	
16	55200-03600	TUBE ASSY, wheel inner	1	1	1	
17	55311-07020	RIM, wheel	1	1	1	
18	65300-03817	SPOKE SET, rear	1	1	1	
19	09408-00005	CLIP, cable	1	-	-	
20	56600-22610	MIRROR ASSY, rear view LH	1	1	1	
21	99800-39301	BELL ASSY	1	1	1	



PARTS NUMBER INDEX



Part No.	Page-Ref.No.	Part No.	Page-Ref.No.	Part No.	Page-Ref.No.
<b>10000</b>					
11111-19001	1-01	12200-35892	3-01	13267-05010	35-08
	17-01		19-01	13268-01010	4-11
11111-19610	32-01		34-01		20-11
11141-14000	32-02	12211-19000	3-04		35-11
11141-22600	1-02		19-04	13268-05010	4-09
11141-22600	17-02	12211-19000	34-04	13268-05010	20-09
11211-19001	1-03	12221-35000	19-05		35-09
	17-03	12221-35001	3-05	13269-01010	4-10
	32-03		34-05		20-10
11241-19000	1-04	12261-35000	19-06		35-10
11241-19000	17-04	12261-35002	3-06	13296-05010	4-12-2
	32-04		34-06	13296-22600	4-12-1
11300-22860	1-07-1	12521-19002	1-14		20-12
	17-07		17-14		35-12
	32-07-1		32-14	13370-35620	4-13
11300-22861	32-07-2	13150-22600	3-14	13370-35620	20-13
11300-22870	1-07-2		19-14		35-13
11340-22620	2-01-1		34-14	13383-19011	4-14
	18-01	13156-22600	3-15		20-14
11340-22630	2-01-2		19-15		35-14
11341-22640	33-01	13156-22600	34-15	13392-01010	4-15
11351-22620	2-14	13200-22650	4-0		20-15
	18-14		20-0		35-15
	33-14	13200-22660	4-0	13394-12110	4-16
11381-01001	2-17	13200-22671	35-0		20-16
11381-01001	18-17	13247-05010	4-01	13394-12110	35-16
	33-17		20-01	13411-01010	4-17
11383-22001	2-06		35-01		20-17
	18-06	13248-05110	4-03		35-17
	33-06		20-03	13417-01010	4-18
11385-19000	7-04	13248-05110	35-03	13417-01010	20-18
11400-22860	32-0	13249-05010	4-02		35-18
11440-27200	5-07		20-02	13418-03110	4-19
	21-07		35-02		20-19
	36-07	13251-01010	4-04-1		35-19
11481-22001	1-11	13251-01010	20-04	13551-22600	4-20
	17-11	13251-01011	4-04-2		20-20
	32-11		35-04	13551-22670	35-20
11482-22000	2-02	13252-06110	4-05	13573-05010	4-21-1
	18-02		20-05	13573-35010	4-21-2
11482-22000	33-02	13252-06110	35-05		20-21
11483-22001	2-15	13254-01010	4-06	13573-35010	35-21
	18-15		20-06	13577-22600	4-22
	33-15		35-06		20-22
11492-22000	2-08	13265-05010	4-07-1		35-22
11492-22000	18-08	13265-05010	20-07	13581-01010	4-24
	33-08	13265-05110	4-07-2		20-24
12161-35000	3-02		35-07		35-24
	19-02	13267-05010	4-08	13661-03010	4-23
	34-02		20-08		20-23

Part No.	Page-Ref.No.	Part No.	Page-Ref.No.	Part No.	Page-Ref.No.
<b>20000</b>					
13661-03010	35-23	21111-19002	3-13	24310-22100	39-13
13688-08010	4-25		19-13	24321-22100	9-11
	20-25		34-13		24-11
	35-25	21200-22002	8-01		39-11
13700-22011-676	5-01		23-01	24331-22100	9-12
13700-22011-676	21-01	21200-22002	38-01	24331-22100	24-12
	36-01	21231-19040	8-02		39-12
13721-12010	5-03		23-02	25211-22100	10-05
	21-03		38-02		25-05
	36-03	21241-22000	8-03		40-05
13780-22010	5-02	21241-22000	23-03	25311-22610	10-01
	21-02		38-03		25-01
	36-02	21411-22000	8-10		40-01
13881-22001	5-04		23-10	25322-02000	10-03
	21-04		38-10		25-03
13881-22001	36-04	21441-07200	8-09	25322-02000	40-03
14150-22660	6-02-1		23-09	25341-23000	10-08
	22-02		38-09		25-08
14150-22661	6-02-2	21451-22000	8-08		40-08
14150-22670	37-02		23-08	25350-23000	10-11
14150-22671	37-03	21451-22000	38-08	25350-23000	25-11
14181-19000	6-01	21462-22000	8-07		40-11
	22-01		23-07	25510-22100	10-15
	37-01		38-07		25-15
14182-03300	6-06	21466-07000	8-15		40-15
14182-03300	22-06	21466-07000	23-15	25510-22102	10-16
	37-08		38-15		40-16
14301-22660	22-03	23121-22000	8-17	26232-06000	10-21
14301-22670	6-03-1		23-17		25-19
14301-22671	6-03-2		38-17		40-21
14301-22680	37-04	23200-22000	8-19	26241-35000	10-22
14301-22681	37-05		23-19		25-20
14510-06104	6-04		38-19		40-22
	22-04	24121-22100	9-01	26260-19002	9-14
14510-22600	37-06		24-01		24-14
14771-19010	6-09	24121-22100	39-01	26260-19002	39-14
	22-09	24130-22610	9-10	26280-19000	9-08
14771-22600	37-11		24-10		24-08
16100-19014	7-01		39-10		39-08
16745-16701	2-12	24221-22100	9-03	27511-01700	24-15
16745-16701	18-12	24221-22100	24-03	27511-01700	39-15
	33-12		39-03	27511-01710	9-15
16816-19000	7-03	24231-22100	9-02	27600-05011	9-16
16820-19032	7-02		24-02		24-16
			39-02		39-16
		24241-22100	9-04	27620-01011	9-17
			24-04		24-17
			39-04		39-17
		24310-22100	9-13		
			24-13		

Part No.	Page-Ref.No.	Part No.	Page-Ref.No.	Part No.	Page-Ref.No.
<b>30000</b>					
32100-22011	11-01	35603-22630	43-04		
	26-01	35603-27660-999	43-03		
	41-01	35612-12611	43-05		
32101-22010	11-02	35612-28620	27-03		
	26-02	35612-46210	43-13		
32101-22010	41-02	35613-03610	43-06		
32102-22011	11-14	35613-06111	43-14		
	26-14	35613-28620	27-04		
	41-14	35627-43010	13-13		
32120-03110	11-03		27-06		
32120-03110	26-03	35661-22610	43-20		
	41-03	35710-22621	13-01		
32140-26111	11-04		44-01		
	26-04	35710-22640	27-08		
	41-04	35710-22650-999	13-09		
32240-28010	11-07	35712-27660	13-02		
	26-07		27-09		
	41-07		44-02		
32341-03110	11-11	35712-46620	13-10		
	26-11	35713-46620	13-11		
32341-03110	41-11	35715-27691	27-13		
34100-26011	12-01	35765-15010	13-04		
	26-15		44-04		
	42-01	35765-22210	13-06		
34100-26014	12-02		44-06		
34100-26014	42-02	35765-27691	27-11		
34170-25011	12-03	35766-15010	13-05		
	26-16		44-05		
	42-03	35766-22210	13-07		
35100-22640	12-06		44-07		
35100-27660-999	26-19	35927-22600	27-16		
	42-06	36500-35013	11-16		
35111-27660	12-07	36510-22610	13-15		
	26-20	36660-33000	43-19		
	42-07	36852-22600	44-11		
35121-22640	12-08	37110-21012	13-17		
35121-27660	26-21		27-21		
	42-08		44-09		
35128-27660	12-09	37110-22600	13-18		
	26-24		44-10		
35128-27660	42-10	37712-01000	10-24		
35171-22640	12-10		40-24		
35171-27660	26-23	37721-05100	10-23		
	42-09		40-23		
35601-22320	43-11	38500-30641	13-19		
35601-22610-999	27-01	38610-27650	43-21		
35601-22620	43-02	38610-28670	27-22		
35601-27670-999	43-01				
35603-22320	43-12				
35603-22620-999	27-02				
<b>40000</b>					
				41100-21600-019	28-01
				41100-22500-019	14-01
					45-01
				42221-03001	14-02
					28-02
				42221-03001	45-02
				42231-09000	14-03
					28-03
					45-03
				46310-22602	45-09
				47111-22502-00U	14-05-2
					28-05-2
					45-05-2
				47111-22502-05H	45-05-3
				47111-22502-797	14-05-1
				47111-22502-797	28-05-1
					45-05-1
				47130-03001	14-06
					28-06
					45-06-1
				47130-03002	45-06-2
				47211-22501-00U	14-04-2
					28-04-2
					45-04-2
				47211-22501-05H	45-04-3
				47211-22501-797	14-04-1
					28-04-1
					45-04-1
<b>50000</b>					
				51100-23610-00U	46-01-2
				51100-23610-797	46-01-1
				51100-23620-00U	29-01-2
				51100-23620-797	29-01-1
				51100-23660-291	48-0
				51100-23690-291	47-0
				51110-23010	29-04
					46-04
				51110-23640	47-05
					48-03

Part No.	Page-Ref.No.	Part No.	Page-Ref.No.	Part No.	Page-Ref.No.
51130-22210	29-02	51310-23640-291	47-26	53110-05640	30-01
	46-02		48-26	53110-05650	49-01
51131-23640	48-01	51311-22210	29-16	53110-22620	49-03
51131-23680	47-01		46-16	53111-46640-126	49-02
51140-22210	29-03	51351-20010	29-23	55200-03600	15-21
51140-22210	46-03	51351-20010	46-23	55200-03600	31-04
51141-23640	48-02	51352-46100	47-28		50-16
51141-23680	47-02		48-28	55311-07020	15-22
51146-23640	47-06	51356-22011	29-24		31-05
	48-04		46-24		50-17
51147-31030	47-08	51356-22012	29-25	56211-27100	29-17
	48-06		46-25		46-17
51148-31030	47-07	51357-22010	29-29	56211-27130-291	47-29
	48-05		46-29		48-29
51150-03011	29-05	51357-22030	47-27	56500-22600	15-01
51150-03011	46-05	51357-22030	48-27	56600-19010	30-20
51152-03011	29-07	51410-22010	46-09	56600-22610	50-20
	46-07	51410-22640	29-09	57300-27014	16-01
51153-23010	29-06	51410-23640	47-18	57320-01011	16-02
	46-06		48-18	57334-01010	16-06
51153-46100	47-03	51452-08030	47-20	57370-01311	15-07
	48-09		48-20	57382-01311	15-08
51154-12011	29-15	51452-46100	48-32	57421-27210	16-07
	46-15	51453-03010	29-18	57431-01011	15-04
51156-46100	47-04		46-18		16-08
51156-46100	48-10	51530-23610-00U	29-12-2	57431-01011	30-06
51169-46100	47-16		46-12-2		50-03
	48-16	51530-23610-797	29-12-1	57435-20010	15-06
51171-23640	47-12		46-12-1		16-09
	48-12	51530-23640-291	47-24		30-07
51171-24900	29-10	51530-23640-291	48-24	57435-20010	50-04
	46-10	51540-23610-00U	29-13-2	57461-18600	16-11
51172-23010	29-11		46-13-2	57462-18600	16-12
	46-11	51540-23610-797	29-13-1	57463-18600	16-13
51172-46100	47-15		46-13-1	57481-33010	16-14
51172-46100	48-15	51540-23640-291	47-25	57500-22620	15-02
51173-01210	29-08		48-25	57500-22630	50-01
51173-01211	46-08	51542-05130	47-32	57500-22640	30-04
51176-46100	47-14	51553-46100	47-23	57621-27210	15-03
	48-14		48-23		30-05
51177-46100	47-09	51555-22010	29-30	57621-27210	50-02
	48-07		46-30	58200-05700	15-15
51181-22010	29-14	51571-23660	47-11		50-12-1
	46-14		48-11	58200-07711	15-16
51181-22011	47-17	51622-20001	47-19		50-12-2
51181-22011	48-17	51622-20001	48-19	58300-22610	15-17
51192-46100	47-13	51960-23610-00U	29-31-2		30-02
	48-13		46-31-2		50-13-1
51196-46100	47-10	51960-23610-797	29-31-1	58300-22620	15-18
	48-08		46-31-1		30-03

Part No.	Page-Ref.No.	Part No.	Page-Ref.No.	Part No.	Page-Ref.No.
58300-22620	50-13-3			02112-05068	22-05
58300-22640	50-13-2			02112-05088	37-07
58700-22010	30-10				2-18
58721-22010	30-11			02112-05128	33-18
58721-25611	15-09	00000			2-13
58721-25611	50-06	01104-05088	13-16	02112-05128	18-13
58722-03010	15-10	01107-06128	15-13		33-13
	30-12		27-14	02112-05168	8-23
	50-07		27-17		23-23
58723-03010	15-11		30-15		38-23
58723-03010	30-13	01107-06128	45-10	02112-05208	2-09
	50-08		50-10		30-16
		01107-06168	10-09		33-09
			25-09	02112-06108	7-05
			27-23		29-19
		01107-06168	40-09	02112-06108	46-19
			43-22	02112-06128	1-16
		01107-08558	47-31		17-16
			48-31		32-16
		01107-10308	47-22		47-34
60000					
63110-05660	31-01	01107-10308	48-22	02112-06128	48-35
63110-22670-189	49-04	01111-10308	29-21	02112-06208	6-11
63110-22689-974	49-05		46-21		22-11
64511-01799	31-02	01204-08357	29-27		37-13
	50-14		46-27	02112-06258	2-03
64511-27600	15-19	01221-08757	29-26	02112-06258	18-03
65100-35010	15-20		46-26		33-03
	31-03	01421-06958	1-05	02112-06408	1-10
	50-15		17-05		17-10
65300-03817	15-23		32-05		32-10
65300-03817	31-06	02111-04107	11-08	02112-06508	2-16
	50-18		11-12		18-16
68234-25300	2-07		26-08		33-16
	18-07		26-12	02112-06557	1-09
	33-07		41-08		17-09
		02111-04107	41-12	02112-06557	32-09
		02111-04258	27-05	02112-06608	1-08
		02111-04508	13-12		17-08
		02111-05087	18-18		32-08
		02111-05207	18-09	02112-06657	2-04
		02112-03128	43-16	02112-06657	18-04
		02112-04208	10-25		33-04
			13-03	02112-06808	2-05
			27-10		18-05
			40-25		33-05
90000					
99800-39301	30-19	02112-04208	44-03	02121-05167	19-16
	50-21	02112-04258	11-05		23-16
			26-05	02122-05168	3-16
			41-05		8-16
		02112-05068	6-05		34-16



Part No.	Page-Ref.No.	Part No.	Page-Ref.No.	Part No.	Page-Ref.No.
02122-05168	38-16	08321-21048	11-09	09111-06003	40-12
02122-06128	1-15		26-06	09125-03103	16-03
	17-15		26-09	09125-03105	16-17
	32-15		40-26	09125-05105	15-14
02122-06208	10-04		41-06		16-18
02122-06208	25-04	08321-21048	41-09	09125-05105	30-09
	40-04	08321-21058	11-13		50-11
02133-03167	43-07		26-13	09134-06007	8-21
03211-04258	5-06		30-17		23-21
	21-06		41-13		38-21
03211-04258	36-06	08321-21068	15-12	09140-16001	8-13
04111-12108	4-29		27-19		23-13
	20-29		29-20		38-13
	35-29		30-14	09152-06002	14-07
08113-62040	3-08		45-12		28-07
08113-62040	19-08	08321-21068	46-20	09152-06002	45-07-1
	34-08		47-33	09160-06016	27-18
08113-63030	3-11		48-34	09160-06019	8-20
	19-11		50-09		23-20
	34-11	08321-21088	6-07		38-20
08211-12261	9-05	08321-21088	22-07	09160-14016	10-20
	24-05		29-28		25-18
	39-05		37-09		40-20
08211-17322	8-06-2		46-28	09160-21005	9-06
	38-06		47-30		24-06
08211-17342	8-06-1	08321-21088	48-30	09160-21005	39-06
	23-06	08321-21108	29-22	09163-16001	8-11-2
08221-20306	3-09		43-17		23-11
	19-09		46-22		38-11-2
	34-09		47-21	09164-14004	10-19
08310-11058	15-05	08321-21108	48-21	09164-14004	25-17
	16-10	08322-21038	16-04		40-19
	30-08		16-15	09167-17001	8-12
	30-18	08322-21048	10-27		23-12
	50-05		11-10		38-12
08310-11068	27-20	08322-21048	26-10	09169-06003	10-10
	45-13		40-27		25-10
08310-12088	6-08		41-10		40-10
	37-10	08322-21068	10-13	09180-07005	27-24
08310-12108	43-18		25-13		43-23
08310-22068	8-22	08322-21068	40-13	09180-12068	10-17
	23-22		45-11		40-17
	38-22		48-33	09180-17026	3-07
	45-07-2	08323-11168	8-11-1		19-07
08310-22108	43-08		38-11-1		34-07
08312-11088	22-08	08331-11219	9-07	09180-17027	3-12
08321-21038	16-05		24-07		19-12
	16-16		39-07		34-12
08321-21048	10-26	09111-06003	10-12	09201-04003	10-02
	11-06		25-12		25-02

Part No.	Page-Ref.No.	Part No.	Page-Ref.No.	Part No.	Page-Ref.No.
09201-04003	40-02	09344-03014	18-19	09494-00171	35-28
09209-10002	10-06		33-19		
	25-06	09402-30302	47-35		
	40-06		48-36		
09209-10010	10-07	09402-30701	6-10		
09209-10010	25-07	09402-30701	22-10		
	40-07		37-12		
09221-05001	8-04	09402-62306	5-05		
	23-04		21-05		
	38-04		36-05		
09250-10005	1-17	09408-00005	50-19		
	17-17	09440-14007	8-14		
	32-17		23-14		
09250-14002	2-11		38-14		
	18-11	09443-07014	10-14		
09250-14002	33-11	09443-07014	25-14		
09250-15001	32-12		40-14		
09250-15002	1-12	09444-26005	10-18		
	17-12		25-16		
09250-25001	14-08		40-18		
09250-25001	28-08	09471-06001	12-05		
	45-08		26-18		
09259-13001	1-13		42-05		
	17-13	09471-06002	12-04		
	32-13		26-17		
09262-30003	9-09	09471-06002	42-04		
	24-09	09471-06021	43-09		
	39-09		43-15		
09263-16002	3-03	09471-06033	27-07		
	19-03		43-10		
09263-16002	34-03	09471-06034	13-08		
09263-21006	8-05		13-14		
	23-05		44-08		
	38-05	09471-06035	26-22		
09283-23001	3-10		42-11		
09283-23001	19-10	09471-06037	27-12		
	34-10	09471-06038	12-11		
09285-05005	8-18	09482-00105	1-06-1		
	23-18		17-06		
	38-18		32-06-1		
09308-05005	27-15	09482-00106	1-06-2		
09309-07005	2-10		32-06-2		
	18-10	09491-60004	35-26		
	33-10	09491-67001	4-26		
09309-09006	11-15		20-26		
09309-09006	41-15	09492-17002	4-27		
09319-08008	1-18		20-27		
	17-18		35-27		
	32-18	09494-00171	4-28		
09344-03014	2-19		20-28		





**SUZUKI MOTOR CO., LTD.**

Head Office : Hamamatsu - Nishi, P.O.Box 1,  
432-91 Hamamatsu, Japan

2nd Edition  
Printed in May., 1977  
Published in May., 1977  
Editor : SUZUKI MOTOR Co., LTD.  
Export parts section

Reprint Prohibited









***SUZUKI MOTOR CO.,LTD.***

99000-93161

C

Printed in Japan